

VERSION 5

Hot Plug

Hardware

Management

NetWare⁵
NETWORK SOFTWARE



Novell®

disclaimer

Novell, Inc. makes no representations or warranties with respect to the contents or use of this documentation, and specifically disclaims any express or implied warranties of merchantability or fitness for any particular purpose. Further, Novell, Inc. reserves the right to revise this publication and to make changes to its content, at any time, without obligation to notify any person or entity of such revisions or changes.

Further, Novell, Inc. makes no representations or warranties with respect to any software, and specifically disclaims any express or implied warranties of merchantability or fitness for any particular purpose. Further, Novell, Inc. reserves the right to make changes to any and all parts of Novell software, at any time, without any obligation to notify any person or entity of such changes.

export notice

This product may require export authorization from the U.S. Department of Commerce prior to exporting from the U.S. or Canada.

trademarks

Novell and NetWare are registered trademarks of Novell, Inc. in the United States and other countries.

A complete list of trademarks and their respective owners appears in "Trademarks" on page 13.

Copyright © 1993-1999 Novell, Inc. All rights reserved. No part of this publication may be reproduced, photocopied, stored on a retrieval system, or transmitted without the express written consent of the publisher.

U.S. Patent Nos. 5,157,663; 5,349,642; and 5,455,932. U.S. Patent Application No. 5,572,528. U.S. and Foreign Patents Pending.

**Novell, Inc.
122 East 1700 South
Provo, UT 84606
U.S.A.**

**Hot Plug Hardware Management
July 1998
104-000012-001**

Contents

Overview of Hot Plug

Overview	v
--------------------	---

1 Understanding

PCI Hot Plug Architecture	1
Open Datalink Interface (ODI)	2
Novell Configuration Manager (ncm.nlm)	2
System Bus Driver	3
Novell Configuration Manager Console (ncmcon.nlm)	3
Introduction to NCMCON	3
The Main Menu	4
Slot Options	5
Slot Detailed Information	6

2 Managing

Enabling PCI Hot Plug	9
Navigating NCMCON Menus	10
Removing an Adapter	11
Adding an Adapter	11

Trademarks

Novell Trademarks	13
Third-Party Trademarks	19

Overview of Hot Plug

PCI Hot Plug technology allows industry-standard PCI adapters to be added or removed without disrupting the operation of the NetWare® server. This reduces unplanned down time for maintaining or adding disk or LAN adapters.

Features of industry-standard, PCI Hot Plug technology include the following:

- ◆ **Uninterrupted service.** You can add or replace network or other I/O controller boards while a system is operating. This can be done through “hot insertion” or “hot removal.”
Hot insertion. The process of physically plugging an adapter into a PCI slot without removing power to the server.
Hot removal. The process of physically pulling an adapter from a PCI slot without removing power to the server.
- ◆ **Compatibility.** Multiple system providers, operating system suppliers, and adapter vendors can implement Hot Plug, which is compatible with existing PCI standards.
- ◆ **Backward compatibility.** You can use a mix of Hot Plug and non-Hot-Plug components in the same system. (But non-Hot-Plug components cannot be added or removed without shutting down the server.)

For a general discussion of PCI Hot Plug architecture and components, see “Understanding” on page 1.

To learn how to enable and use the Novell® Configuration Manager to manage Hot Plug devices, see “Managing” on page 9.

PCI Hot Plug technology allows industry-standard PCI adapters to be added or removed without disrupting the operation of the server. This reduces unplanned down time for maintaining or adding disk or LAN adapters. To use hot plug technology, your server hardware must be hot-plug capable.

For a general description of Hot Plug architecture, see “PCI Hot Plug Architecture” on page 1. For a description of the Novell Configuration Manager (the interface used to manage Hot Plug devices), see “Introduction to NCMCON” on page 3.

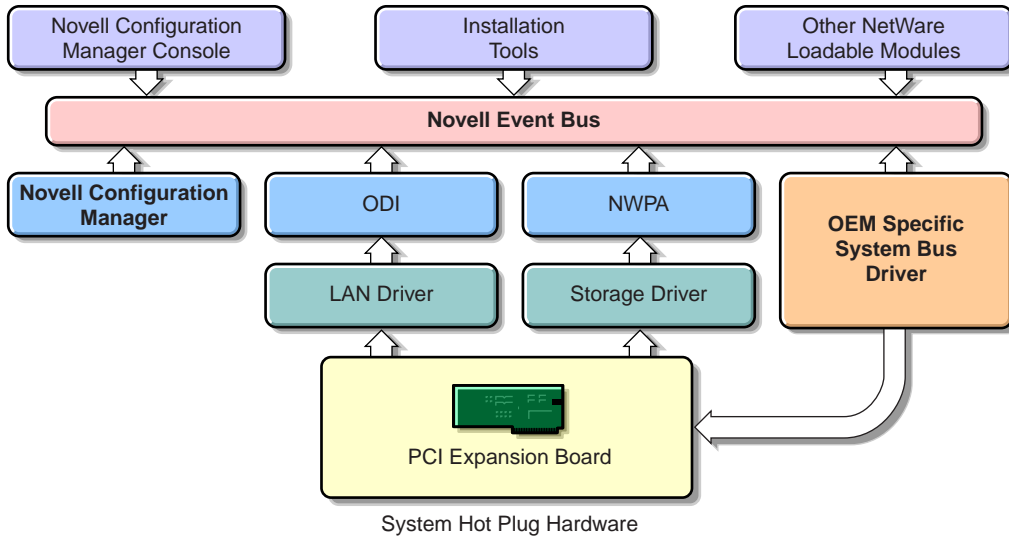
PCI Hot Plug Architecture

The PCI Hot Plug architecture is modular, which minimizes the changes required of third-party adapter software. The system relies on a central component, the Novell Event Bus (NEB), which facilitates communication among different software modules.

The NEB is an integral part of NetWare 5™. It is coded into the operating system so you never need to load the `neb.nlm` as a separate program.

Figure 1 provides a graphical representation of the NEB architecture.

Figure 1-1
Novell NetWare Hot Plug Architecture



Open Datalink Interface (ODI)

The Open Data-link Interface and the Novell Event Bus have been combined in one module, called `odineb.nlm`, to enable the NEB to control device drivers. The function of this module is to intercept requests to unload a device driver and ensure that the instance unload function is supported. It prevents false attempts to unload an unsupported driver and eliminates potential failures.

Novell Configuration Manager (`ncm.nlm`)

For PCI Hot Plug servers, the Novell Configuration Manager manages the Hot Plug system and ensures proper system behavior.

The primary function of the Configuration Manager is to sequence Hot Plug operations by shutting down the adapter's device driver before removing power from the slot. This ensures the stability of the system.

The Configuration Manager also maps hardware resources to device driver software.

System Bus Driver

The system bus driver is the platform-specific implementation of PCI Hot Plug. This driver controls the system hardware necessary to perform Hot Plug functions and is responsible for the following:

- ◆ Enabling or removing power from a Hot Plug slot upon request.
- ◆ Configuring hardware and assigning such things as memory, PCI, and interrupts of PCI adapters in Hot Plug slots.

NetWare allows multiple system bus driver modules to exist simultaneously. The controller manufacturer provides the system bus driver specific to the PCI Hot Plug hardware. The Compaq system bus driver, `cpqsbd.nlm`, is included with NetWare 5.

Novell Configuration Manager Console (`ncmcon.nlm`)

The Novell Configuration Manager console provides the interface for controlling all Hot Plug operations. In addition, it displays slot configuration details, including adapter driver information and status.

The Configuration Manager console consists of three screens: the Main Menu, Slot Options, and Slot Detailed Information.

The Novell Configuration Manager Console is described in detail in “Introduction to NCMCON” on page 3.

Introduction to NCMCON

The Novell Configuration Manager console (NCMCON) allows you to view status information on PCI slots and to remove and add PCI Hot Plug adapters.

The NCMCON interface constantly monitors and displays the status of all slots. If there are any errors, the appropriate error message is displayed.

There are three menus used in the NCMCON interface:

- ◆ “The Main Menu” on page 4

- ◆ “Slot Options” on page 5
- ◆ “Slot Detailed Information” on page 6

The Main Menu

The Main Menu displays a list of all PCI slots in the system.

Figure 1-2
The Main Menu

Main Menu - System Information			
Slot#	Hot Plug	Adapter Name	Slot Status
1	No	No adapter present	Ready
2	No	No adapter present	Ready
3	Yes	No adapter present	Powered On
4	Yes	No adapter present	Powered On
5	Yes	No adapter present	Powered On
6	Yes	No adapter present	Powered On
7	Yes	Compaq Netelligent 10/100 TX PCI UTP Co	Active
8	Yes	No adapter present	Powered On

For each slot, the Main Menu displays the following information:

- ◆ The system board slot number
- ◆ Whether or not the slot is hot pluggable
- ◆ An adapter description field or name
- ◆ The status of the slot/adapter, which may include the following:
 - ◆ **Powered Off** – The lever is open on the slot and power to the slot is turned off.
 - ◆ **Powered On** – The lever has been closed, power is on to the slot, and the slot is empty (this is different from Ready because there is no card in the slot).

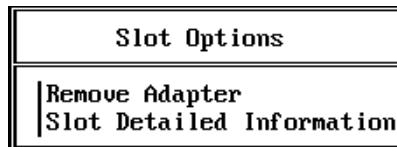
- ◆ **Ready** – An adapter is in the slot and ready to be used but there is currently no driver loaded for it.
- ◆ **Active** – A loaded driver is using this adapter and the adapter is believed to be in good working order.
- ◆ **Failed** – This adapter’s driver or Hot Plug driver indicated some type of device failure. The adapter can be removed and a new one added at this time.
- ◆ **Degraded** – A device on the multi-device adapter has failed, but other devices on the adapter continue to function.
- ◆ **Processing...** – An action is being performed on a slot/ adapter.

Pressing <Enter> on a selected slot of the Main Menu displays either the Slot Options or the Slot Detailed Information screen. Online, context-sensitive help is available to guide you through PCI Hot Plug actions.

Slot Options

This menu lists the options available for the highlighted Hot Plug slot (selection of a non-Hot Plug slot automatically displays the Slot Detailed Information screen).

Figure 1-3
Slot Options



Depending on the driver, the state of the slot or adapter, and the capabilities of the system, different options appear on the menu.

The interlock mechanism is one feature that can influence what appears on the Slot Options menu. The interlock is a safety mechanism that shuts off power to a slot if the slot is opened while the power is still on. Not all hardware manufacturers provide an interlock mechanism, and not all interlock mechanisms work the same way. Refer to your hardware documentation for more information.

The following table describes the options on the Slot Options menu and the conditions under which they appear.

Menu item	Appears . . .
Add Adapter	<p>When there is no power to the slot, the interlock mechanism is closed, and the driver supports add functionality.</p> <p>(Add functionality means that an adapter can be added to an empty slot or an existing adapter can be replaced with a different adapter.)</p>
Remove Adapter	<p>When the slot is powered on, and an adapter is in the slot.</p>
Replace Adapter	<p>When there is no power to the slot, the driver supports only replace functionality, and the interlock mechanism is either closed or not supported.</p> <p>(Replace functionality means that an existing adapter can be replaced only with an identical adapter.)</p>
Power Off Slot	<p>When the slot is powered on, and no adapter is present in the slot.</p>
Power On Slot	<p>When there is no power to the slot, the driver doesn't support the interlock mechanism, and the driver supports add functionality.</p> <p>(Add functionality means that an adapter can be added to an empty slot or an existing adapter can be replaced with a different adapter.)</p>
Slot Detailed Information	<p>Under all conditions.</p>

Slot Detailed Information

The Slot Detailed Information screen displays information about a specific slot and the adapter in that slot.

Figure 1-4
Slot Detailed Information Screen

Main Chassis, Slot 7, Compaq Netelligent 10/100 TX PCI UTP Co		
Slot Information: PCI BUS 1, 33 MHz, 32 Bit		
Hot Plug: No		
Slot Status: Active		
Device and Driver Information:		
HIN:	Registered Driver:	Driver Status:
7	CPQNF3.LAN	Active

Items on the screen include the following:

- ◆ Slot number
- ◆ Description of adapter in slot
- ◆ The bus type (PCI, EISA, or EMBEDDED)
- ◆ The bus number of the slot
- ◆ Whether or not the adapter is hot pluggable
- ◆ The status of the slot/adapter
- ◆ The NetWare Hardware Instance Number (HIN) of each device
- ◆ Device driver name and status for each HIN. Status possibilities include the following:
 - ◆ **Active** - Driver is loaded for the device.
 - ◆ **Inactive** - No driver is loaded for the device.
 - ◆ **Failed** - The device has failed.

- ◆ **Suspended** - The driver is loaded but activity is suspended while the adapter is being added.

Pressing <F2> activates the Slot Options menu, which allows you to take actions such as removing the card from a particular slot.

To enable PCI Hot Plug Technology, see “Enabling PCI Hot Plug” on page 9.

Once you have enabled PCI Hot Plug Technology on your server, you can use NCMCON (the Novell Configuration Manager console) to manage your hardware.

See “Navigating NCMCON Menus” on page 10 for general information about how to use the NCMCON interface.

See “Adding an Adapter” on page 11 and “Removing an Adapter” on page 11 for step-by-step instructions for managing your hardware adapters.

Enabling PCI Hot Plug

The following four Hot Plug PCI modules are installed when you install NetWare:

- ◆ `cpqsbd.nlm`: The Compaq system bus driver. (You will need to provide a different driver to support other hardware platforms.)
- ◆ `ncm.nlm`: The Novell Configuration Manager, which manages the Hot Plug system.
- ◆ `ncmcon.nlm`: The Hot Plug user interface, called the Novell Configuration Manager Console.
- ◆ `odineb.nlm`: A module combining the Open Data-link Interface and the Novell Event Bus (NEB) that enables the NEB to control device drivers.

If the NetWare installation process determines that your server supports Hot Plug and has the appropriate driver, the installation

process adds the following two LOAD commands to the autoexec.ncf file:

- ◆ LOAD sys:\system*driver_name* (for example, LOAD sys:\system\cpqsbd.nlm)

This command loads the bus driver. After this command is executed, NetWare autoloads ncm.nlm.

- ◆ #LOAD sys:\system\ncmcon.nlm

This command loads the Novell Configuration Manager Console, which, in turn, loads odineb.nlm.

Note that this command is commented out. If you want NetWare to load the Novell Configuration Manager Console every time the autoexec.ncf file is executed, remove the # sign from in front of the command.

To enable PCI Hot Plug technology, restart the server to execute the autoexec.ncf file. You can also execute the LOAD commands for the driver and NCMCON at the server console prompt.

Navigating NCMCON Menus

To navigate NCMCON menus, follow these guidelines:

- ◆ In the Main menu, use the arrow keys to move up and down the list of slots. To select a slot, highlight the slot and press Enter.

If you select a hot plug-capable slot, the Slot Options menu is displayed.

If you select a non-hot plug-capable slot, the Slot Detailed Information screen is displayed.

- ◆ In the Slot Options menu, select the desired option.
- ◆ In the Slot Detailed Information screen, highlight a slot and press F2 to open the Slot Options menu.
- ◆ To return to the Main menu, press ESC.
- ◆ For online help, press F1.

Removing an Adapter

1. **From the NCMCON Main menu select the slot with the adapter you want to remove.**

The Slot Options menu is displayed.

2. **Select Remove Adapter.**

NCMCON processes the remove request.

3. **Once the slot has a status of Powered Off and the slot's green LED is no longer lit, open the lever and take the adapter out of the slot.**

NCMCON then updates the status of the slot on the screen.

Adding an Adapter

1. **If the slot already contains an adapter, remove the adapter from the slot. See "Removing an Adapter" on page 11.**

2. **Insert the new adapter in the slot and close the lever.**

The new adapter is detected automatically, and you are prompted to apply power to the slot.

3. **Respond to the prompt to apply power.**

If you respond Yes: The slot's green LED is illuminated, and you are reminded to attach cables. The system then attempts to autodetect and load drivers for the adapter. Follow any prompts that appear on the screen.

If you respond No: The console status does not change. Go to Step 4 when you are ready to apply power to the slot.

4. **When you are ready to apply power to the slot, select the slot and adapter from the Main menu.**
5. **From the Slot Options menu, select Add Adapter or Power On Slot (whichever is displayed).**

The Novell Configuration Manager attempts to autodetect and load drivers for the adapter. Follow any prompts that appear on the screen.

T Trademarks

Novell Trademarks

Access Manager is a registered trademark of Novell, Inc. in the United States and other countries.

Advanced NetWare is a trademark of Novell, Inc.

AlarmPro is a registered trademark of Novell, Inc. in the United States and other countries.

AppNotes is a trademark of Novell, Inc.

AppTester is a trademark of Novell, Inc. in the United States.

BrainShare is a registered service mark of Novell, Inc. in the United States and other countries.

C-Worthy is a trademark of Novell, Inc.

C3PO is a trademark of Novell, Inc.

CBASIC is a registered trademark of Novell, Inc. in the United States and other countries.

Certified NetWare Administrator in Japanese and CNA-J are service marks of Novell, Inc.

Certified NetWare Engineer in Japanese and CNE-J are service marks of Novell, Inc.

Certified NetWare Instructor in Japanese and CNI-J are service marks of Novell, Inc.

Certified Novell Administrator and CNA are service marks of Novell, Inc.

Certified Novell Engineer and CNE are service marks of Novell, Inc.

Certified Novell Salesperson is a trademark of Novell, Inc.

Client 32 is a trademark of Novell, Inc.

ConnectView is a registered trademark of Novell, Inc. in the United States and other countries.

Connectware is a trademark of Novell, Inc.

Corsair is a registered trademark of Novell, Inc. in the United States and other countries.

CP/Net is a registered trademark of Novell, Inc. in the United States and other countries.

Custom 3rd-Party Object and C3PO are trademarks of Novell, Inc.

DeveloperNet is a trademark of Novell, Inc.

Documenter's Workbench is a registered trademark of Novell, Inc. in the United States and other countries.

ElectroText is a trademark of Novell, Inc.

Enterprise Certified Novell Engineer and ECNE are service marks of Novell, Inc.

Envoy is a registered trademark of Novell, Inc. in the United States and other countries.

EtherPort is a registered trademark of Novell, Inc. in the United States and other countries.

EXOS is a trademark of Novell, Inc.

Global MHS is a trademark of Novell, Inc.
Global Network Operations Center and GNOC are service marks of Novell, Inc.
Grammatik is a registered trademark of Novell, Inc. in the United States and other countries.
Graphics Environment Manager and GEM are registered trademarks of Novell, Inc. in the United States and other countries.
GroupWise is a registered trademark of Novell, Inc. in the United States and other countries.
GroupWise 5 is a trademark of Novell, Inc.
GroupWise XTD is a trademark of Novell, Inc.
Hardware Specific Module and HSM are trademarks of Novell, Inc.
Hot Fix is a trademark of Novell, Inc.
InForms is a trademark of Novell, Inc.
Instructional Workbench is a registered trademark of Novell, Inc. in the United States and other countries.
Internetwork Packet Exchange and IPX are trademarks of Novell, Inc.
IPX/SPX is a trademark of Novell, Inc.
IPXODI is a trademark of Novell, Inc.
IPXWAN is a trademark of Novell, Inc.
LAN WorkGroup is a trademark of Novell, Inc.
LAN WorkPlace is a registered trademark of Novell, Inc. in the United States and other countries.
LAN WorkShop is a trademark of Novell, Inc.
LANalyzer is a registered trademark of Novell, Inc. in the United States and other countries.
LANalyzer Agent is a trademark of Novell, Inc.
Link Support Layer and LSL are trademarks of Novell, Inc.
MacIPX is a registered trademark of Novell, Inc. in the United States and other countries.
ManageWise is a registered trademark of Novell, Inc. in the United States and other countries.
Media Support Module and MSM are trademarks of Novell, Inc.
Mirrored Server Link and MSL are trademarks of Novell, Inc.
Mobile IPX is a trademark of Novell, Inc.
Multiple Link Interface and MLI are trademarks of Novell, Inc.
Multiple Link Interface Driver and MLID are trademarks of Novell, Inc.
My World is a registered trademark of Novell, Inc. in the United States and other countries.
N-Design is a registered trademark of Novell, Inc. in the United States and other countries.
Natural Language Interface for Help is a trademark of Novell, Inc.
NDS is a trademark of Novell, Inc.
NDS Manager is a trademark of Novell, Inc.
NE/2 is a trademark of Novell, Inc.
NE/2-32 is a trademark of Novell, Inc.
NE/2T is a trademark of Novell, Inc.
NE1000 is a trademark of Novell, Inc.
NE1500T is a trademark of Novell, Inc.

NE2000 is a trademark of Novell, Inc.
NE2000T is a trademark of Novell, Inc.
NE2100 is a trademark of Novell, Inc.
NE21500T is a trademark of Novell, Inc.
NE3200 is a trademark of Novell, Inc.
NE32HUB is a trademark of Novell, Inc.
NEST is a trademark of Novell, Inc.
NEST Autoroute is a trademark of Novell, Inc.
NetExplorer is a trademark of Novell, Inc.
NetNotes is a registered trademark of Novell, Inc. in the United States and other countries.
NetSync is a trademark of Novell, Inc.
NetWare is a registered trademark of Novell, Inc. in the United States and other countries.
NetWare 3 is a trademark of Novell, Inc.
NetWare 3270 CUT Workstation is a trademark of Novell, Inc.
NetWare 3270 LAN Workstation is a trademark of Novell, Inc.
NetWare 386 is a trademark of Novell, Inc.
NetWare 4 is a trademark of Novell, Inc.
NetWare 5 is a trademark of Novell, Inc.
NetWare Access Server is a trademark of Novell, Inc.
NetWare Access Services is a trademark of Novell, Inc.
NetWare Application Manager is a trademark of Novell, Inc.
NetWare Application Notes is a trademark of Novell, Inc.
NetWare Asynchronous Communication Services and NACS are trademarks of Novell, Inc.
NetWare Asynchronous Services Interface and NASI are trademarks of Novell, Inc.
NetWare Aware is a trademark of Novell, Inc.
NetWare Basic MHS is a trademark of Novell, Inc.
NetWare BranchLink Router is a trademark of Novell, Inc.
NetWare Care is a trademark of Novell, Inc.
NetWare Communication Services Manager is a trademark of Novell, Inc.
NetWare Connect is a registered trademark of Novell, Inc. in the United States.
NetWare Core Protocol and NCP are trademarks of Novell, Inc.
NetWare Distributed Management Services is a trademark of Novell, Inc.
NetWare Document Management Services is a trademark of Novell, Inc.
NetWare DOS Requester and NDR are trademarks of Novell, Inc.
NetWare Enterprise Router is a trademark of Novell, Inc.
NetWare Express is a registered service mark of Novell, Inc. in the United States and other countries.
NetWare Global Messaging and NGM are trademarks of Novell, Inc.
NetWare Global MHS is a trademark of Novell, Inc.
NetWare HostPrint is a registered trademark of Novell, Inc. in the United States.
NetWare IPX Router is a trademark of Novell, Inc.
NetWare LANalyzer Agent is a trademark of Novell, Inc.
NetWare Link Services Protocol and NLSP are trademarks of Novell, Inc.
NetWare Link/ATM is a trademark of Novell, Inc.
NetWare Link/Frame Relay is a trademark of Novell, Inc.

NetWare Link/PPP is a trademark of Novell, Inc.
NetWare Link/X.25 is a trademark of Novell, Inc.
NetWare Loadable Module and NLM are trademarks of Novell, Inc.
NetWare LU6.2 is trademark of Novell, Inc.
NetWare Management Agent is a trademark of Novell, Inc.
NetWare Management System and NMS are trademarks of Novell, Inc.
NetWare Message Handling Service and NetWare MHS are trademarks of Novell, Inc.
NetWare MHS Mailslots is a registered trademark of Novell, Inc. in the United States and other countries.
NetWare Mirrored Server Link and NMSL are trademarks of Novell, Inc.
NetWare Mobile is a trademark of Novell, Inc.
NetWare Mobile IPX is a trademark of Novell, Inc.
NetWare MultiProtocol Router and NetWare MPR are trademarks of Novell, Inc.
NetWare MultiProtocol Router Plus is a trademark of Novell, Inc.
NetWare Name Service is a registered trademark of Novell, Inc. in the United States and other countries.
NetWare Navigator is a trademark of Novell, Inc.
NetWare Peripheral Architecture is a trademark of Novell, Inc.
NetWare Print Server is a trademark of Novell, Inc.
NetWare Ready is a trademark of Novell, Inc.
NetWare Requester is a trademark of Novell, Inc.
NetWare Runtime is a trademark of Novell, Inc.
NetWare RX-Net is a trademark of Novell, Inc.
NetWare SFT is a trademark of Novell, Inc.
NetWare SFT III is a trademark of Novell, Inc.
NetWare SNA Gateway is a trademark of Novell, Inc.
NetWare SNA Links is a trademark of Novell, Inc.
NetWare SQL is a trademark of Novell, Inc.
NetWare Storage Management Services and NetWare SMS are trademarks of Novell, Inc.
NetWare Telephony Services is a trademark of Novell, Inc.
NetWare Tools is a trademark of Novell, Inc.
NetWare UAM is a trademark of Novell, Inc.
NetWare WAN Links is a trademark of Novell, Inc.
NetWare/IP is a trademark of Novell, Inc.
NetWire is a registered service mark of Novell, Inc. in the United States and other countries.
Network Navigator is a registered trademark of Novell, Inc. in the United States.
Network Navigator - AutoPilot is a registered trademark of Novell, Inc. in the United States and other countries.
Network Navigator - Dispatcher is a registered trademark of Novell, Inc. in the United States.
Network Support Encyclopedia and NSE are trademarks of Novell, Inc.
Network Support Encyclopedia Professional Volume and NSEPro are trademarks of Novell, Inc.
NetWorld is a registered service mark of Novell, Inc. in the United States and other countries.

Novell is a service mark of Novell, Inc. and a registered trademark of Novell, Inc. in the United States and other countries.

Novell Academic Education Partner and NAEP are service marks of Novell, Inc.

Novell Alliance Partners Program is a collective mark of Novell, Inc.

Novell Application Launcher is a trademark of Novell, Inc.

Novell Application Notes is a trademark of Novell, Inc.

Novell Authorized CNE is a trademark and service mark of Novell, Inc.

Novell Authorized Education Center and NAEC are service marks of Novell, Inc.

Novell Authorized Partner is a service mark of Novell, Inc.

Novell Authorized Reseller is a service mark of Novell, Inc.

Novell Authorized Service Center and NASC are service marks of Novell, Inc.

Novell BorderManager is a trademark of Novell, Inc.

Novell BorderManager FastCache is a trademark of Novell, Inc.

Novell Client is a trademark of Novell, Inc.

Novell Corporate Symbol is a trademark of Novell, Inc.

Novell Customer Connections is a registered trademark of Novell, Inc. in the United States.

Novell Directory Services and NDS are trademarks of Novell, Inc.

Novell Distributed Print Services and NDPS are trademarks of Novell, Inc.

Novell ElectroText is a trademark of Novell, Inc.

Novell Embedded Systems Technology is a registered trademark of Novell, Inc. in the United States and other countries and

NEST is a trademark of Novell, Inc.

Novell Gold Authorized Reseller is a service mark of Novell, Inc.

Novell Gold Partner is a service mark of Novell, Inc.

Novell Labs is a trademark of Novell, Inc.

Novell N-Design is a registered trademark of Novell, Inc. in the United States and other countries.

Novell NE/2 is a trademark of Novell, Inc.

Novell NE/2-32 is a trademark of Novell, Inc.

Novell NE3200 is a trademark of Novell, Inc.

Novell Network Registry is a service mark of Novell, Inc.

Novell Platinum Partner is a service mark of Novell, Inc.

Novell Press is a trademark of Novell, Inc.

Novell Press Logo (teeth logo) is a registered trademark of Novell, Inc. in the United States and other countries.

Novell Replication Services is a trademark of Novell, Inc.

Novell Research Reports is a trademark of Novell, Inc.

Novell RX-Net/2 is a trademark of Novell, Inc.

Novell Service Partner is a trademark of Novell, Inc.

Novell Storage Services is a trademark of Novell, Inc.

Novell Support Connection is a trademark of Novell, Inc.

Novell Technical Services and NTS are service marks of Novell, Inc.

Novell Technology Institute and NTI are registered service marks of Novell, Inc. in the United States and other countries.

Novell Virtual Terminal and NVT are trademarks of Novell, Inc.

Novell Web Server is a trademark of Novell, Inc.

Novell World Wide is a trademark of Novell, Inc.

NSE Online is a service mark of Novell, Inc.
NTR2000 is a trademark of Novell, Inc.
Nutcracker is a registered trademark of Novell, Inc. in the United States and other countries.
OnLAN/LAP is a registered trademark of Novell, Inc. in the United States and other countries.
OnLAN/PC is a registered trademark of Novell, Inc. in the United States and other countries.
Open Data-Link Interface and ODI are trademarks of Novell, Inc.
Open Look is a registered trademark of Novell, Inc. in the United States and other countries.
Open Networking Platform is a registered trademark of Novell, Inc. in the United States and other countries.
Open Socket is a registered trademark of Novell, Inc. in the United States.
Packet Burst is a trademark of Novell, Inc.
PartnerNet is a trademark and service mark of Novell, Inc.
PC Navigator is a trademark of Novell, Inc.
PCOX is a registered trademark of Novell, Inc. in the United States and other countries.
Perform3 is a trademark of Novell, Inc.
Personal NetWare is a trademark of Novell, Inc.
Pervasive Computing from Novell is a registered trademark of Novell, Inc. in the United States and other countries.
Portable NetWare is a trademark of Novell, Inc.
Presentation Master is a registered trademark of Novell, Inc. in the United States and other countries.
Print Managing Agent is a trademark of Novell, Inc.
Printer Agent is a trademark of Novell, Inc.
QuickFinder is a trademark of Novell, Inc.
Red Box is a trademark of Novell, Inc.
Reference Software is a registered trademark of Novell, Inc. in the United States and other countries.
Remote Console is a trademark of Novell, Inc.
Remote MHS is a trademark of Novell, Inc.
RX-Net is a trademark of Novell, Inc.
RX-Net/2 is a trademark of Novell, Inc.
ScanXpress is a registered trademark of Novell, Inc. in the United States and other countries.
Script Director is a registered trademark of Novell, Inc. in the United States and other countries.
Sequenced Packet Exchange and SPX are trademarks of Novell, Inc.
Service Response System is a trademark of Novell, Inc.
Serving FTP is a trademark of Novell, Inc.
SFT is a trademark of Novell, Inc.
SFT III is a trademark of Novell, Inc.
SoftSolutions is a registered trademark of SoftSolutions Technology Corporation, a wholly owned subsidiary of Novell, Inc.
Software Transformation, Inc. is a registered trademark of Software Transformation, Inc., a wholly owned subsidiary of Novell, Inc.

SPX/IPX is a trademark of Novell, Inc.

StarLink is a registered trademark of Novell, Inc. in the United States and other countries.

Storage Management Services and SMS are trademarks of Novell, Inc.

Technical Support Alliance and TSA are collective marks of Novell, Inc.

The Fastest Way to Find the Right Word is a registered trademark of Novell, Inc. in the United States and other countries.

The Novell Network Symbol is a trademark of Novell, Inc.

Topology Specific Module and TSM are trademarks of Novell, Inc.

Transaction Tracking System and TTS are trademarks of Novell, Inc.

Universal Component System is a registered trademark of Novell, Inc. in the United States and other countries.

Virtual Loadable Module and VLM are trademarks of Novell, Inc.

Writer's Workbench is a registered trademark of Novell, Inc. in the United States and other countries.

Yes, It Runs with NetWare (logo) is a trademark of Novell, Inc.

Yes, NetWare Tested and Approved (logo) is a trademark of Novell, Inc.

Yes, Tested and Approved is a trademark of Novell, Inc.

Z.E.N.works is a trademark of Novell, Inc.

Third-Party Trademarks

All third-party trademarks are the property of their respective owners.

