

MEMORY

Compaq Professional Workstation 8000

STANDARD MEMORY

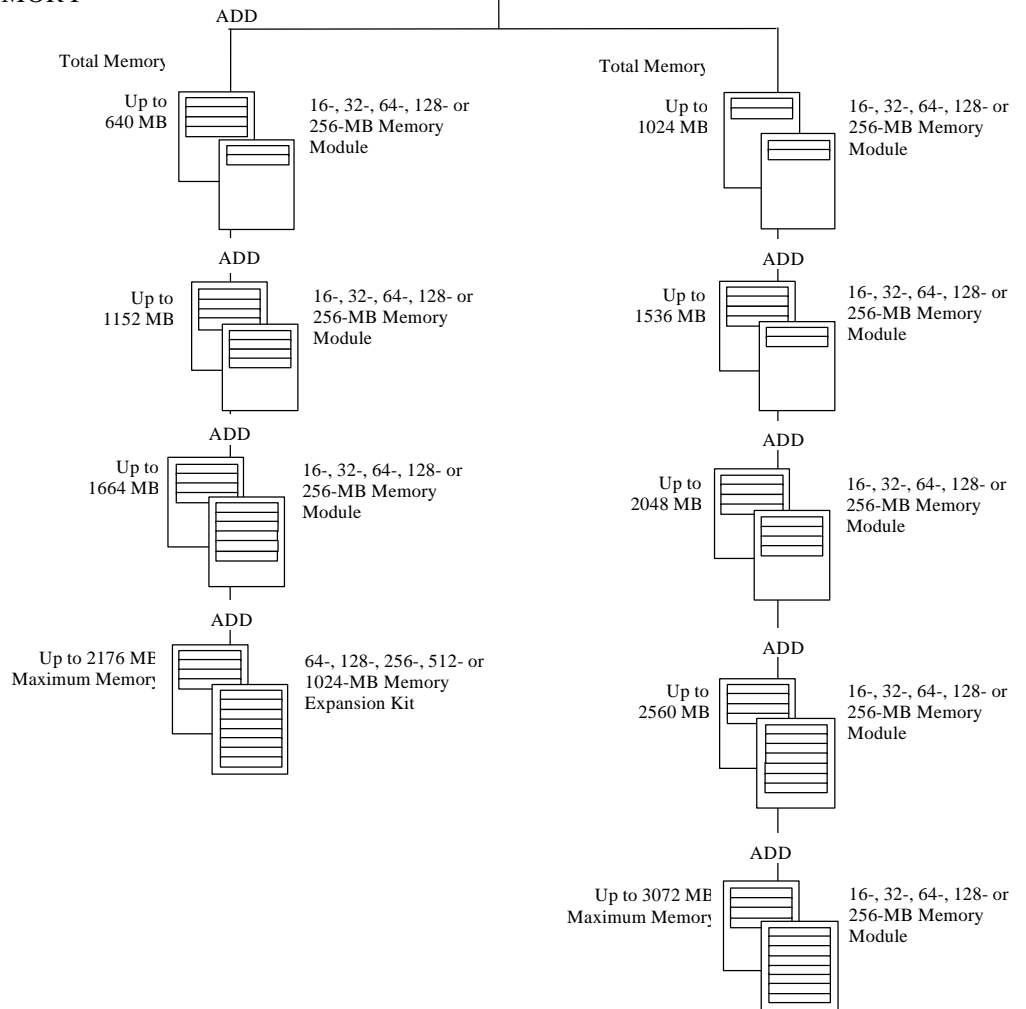
128 MB  Two 32-MB DIMMS

Two 32-MB DIMMs Memory Expansion Board (standard)

OPTIONAL MEMORY

TO REACH MAXIMUM MEMORY WITH STANDARD DIMMS

REPLACE STANDARD DIMMS WITH



Notes:

Memory must be upgraded in like pairs of memory modules. For example, to add 32 MB of memory, two 16-MB Memory Modules are required. The Compaq Professional Workstation 8000 will support a maximum of 3 GB memory. The memory expansion board comes standard with the Compaq Professional Workstation 8000.

Following are the memory options available from Compaq:

- | | |
|---|------------|
| • 16-MB Memory Module (ECC, EDO DIMM, 60 ns) | 270172-B21 |
| • 32-MB Memory Module (ECC, EDO DIMM, 60 ns) | 271907-001 |
| • 64-MB Memory Module (ECC, EDO DIMM, 60 ns) | 271908-001 |
| • 128-MB Memory Module (ECC, EDO DIMM, 60 ns) | 271909-001 |
| • 256-MB Memory Module (ECC, EDO DIMM, 60 ns) | 271910-001 |

This chart does not represent all possible memory configurations.