

# Build high performance Alpha Linux Systems for demanding applications.



UP1100 MOTHERBOARD

*Introduce your customers to the power of Alpha. API NetWorks' UP1100 motherboard combines the 64-bit power of Alpha — the world's most powerful processor, bar none — with enabling technologies that make state-of-the-art Linux development easier and more cost effective than ever before.*

## ***Unmatched performance for compute-intensive applications***

The UP1100 features the Alpha 21264 processor offering high cache and memory bandwidths that deliver performance unequaled in the x86 world. The UP1100 offers AGP graphics support, on-board audio and 10/100 Ethernet creating an ideal low cost development system. It is also compatible with industry standard power supplies and memory while its ATX form factor fits standard enclosures — allowing you to offer your customers the performance they need. The UP1100, the lowest cost Alpha 21264-based motherboard, also allows you to build high performance systems for render farms, Beowulf clusters, Web servers and other processor-intensive applications. Build third generation 64-bit computing systems that take full advantage of the Linux 64-bit architecture.

***API NetWorks — Leading developer of innovative high-performance, high density technologies for High-Performance Computing, Network Infrastructure and Internet solutions.***



# UP1100 MOTHERBOARD

## Unmatched Alpha performance

- Alpha 21264 processor running at 600MHz
- 2MB L2 Cache
- 3.2GB/s L2 Cache bandwidth
- 800MB/s memory bandwidth

## Full expandability

- AMD-751™ System Controller
- 100MHz 64-bit memory bus
- 2x AGP bus for graphics
- 10/100 Ethernet on-board
- 16-bit PCI audio on-board
- Three PCI 32-bit/33MHz slots
- SDRAM memory subsystem; 64MB to 768MB memory
- 3 PC100 168-pin unbuffered DIMMs
- ALI M1543C Southbridge peripheral and ISA interface
- Ultra DMA 66 IDE (two channels)
- Floppy controller
- Two serial ports with modem control
- Parallel port
- Dual USB ports
- PS/2 keyboard and mouse ports
- 2MB flash ROM

## Unprecedented ease of engineering

- ATX form factor — 12" x 9.6"
- Compatibility with industry standard power supplies, memory, and other components

## Supporting OS and Software

- Linux for Alpha (most major distributions)
- SRM Firmware

## Warranty

- Three years

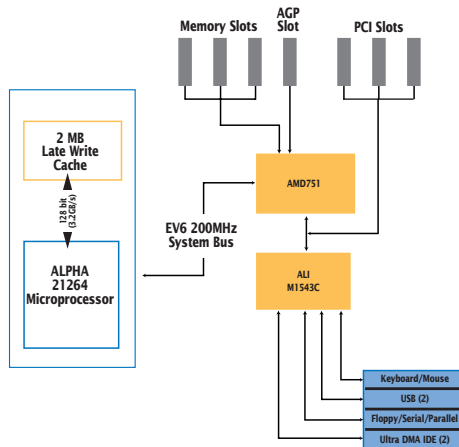
For more information on the UP1100, or any of API NetWorks' products, contact:

API NetWorks, Inc.  
www.api-networks.com

130C Baker Avenue Extension  
Concord, MA 01742

Tel: 978-318-1100  
Fax: 978-371-3177

info@api-networks.com  
sales@api-networks.com



## Motherboard Physical Characteristics

Characteristic	Specification
Power	300 or 400W ATX Power Supply
Size	ATX 24.38cm x 30.48cm x 6.35cm (9.6in x 12in x 2.5in)
Operating temperature range	5°C to 35°C (41°F to 95°F)
Storage temperature range	-35°C to 85°C (-31°F to 185°F)
Electrical	Specification
3.3V	3.7A
5V	13A
5V Standby	0.8A
-5V	0.1A
12V	0.1A
-12V	0.1A

\* Power for memory DIMMS, PCI Slots and Disk Drives is not included in above.

While API NetWorks, Inc. believes the information in this publication is correct as of the date of publication, it is subject to change without notice.

© API NetWorks, Inc. 2001

All rights reserved.

Linux is a trademark of Linus Torvalds.

All other trademarks and registered trademarks are the property of their respective companies.