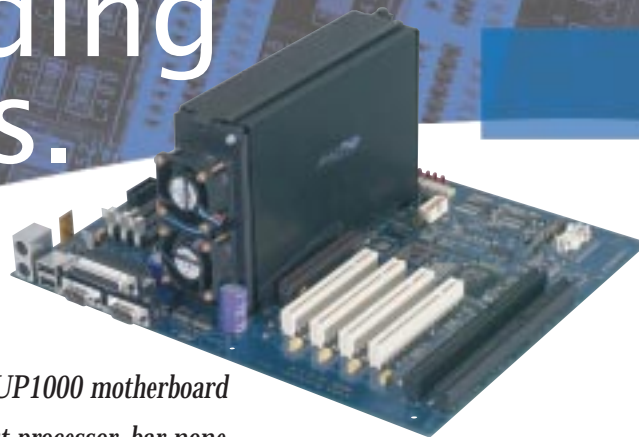


Build high performance Linux workstations for demanding applications.

UP1000 MOTHERBOARD



Introduce your customers to the power of Alpha. API's UP1000 motherboard combines the 64-bit power of Alpha — the world's fastest processor, bar none — with enabling technologies that make state-of-the-art Alpha development easier and more cost effective than ever before.

Combine unmatched performance, unprecedented ease of engineering.

The UP1000 features the Alpha 21264 processor with speeds starting at 600MHz, with high cache (3.2GB/s) and memory bandwidths that deliver performance unequaled in the x86 world. It incorporates API's revolutionary Alpha Slot B technology — the first-ever slot technology for Alpha, bringing x86-style modularity, openness, and economy to Alpha workstation design. The UP1000 is also the first Alpha System with AGP graphics support and its ATX form factor fits standard workstation enclosures. The UP1000 is compatible with industry standard power supplies, memory and more — allowing you to offer your customers the workstation performance they need, with the upgradability and investment protection they demand.

Offer breakthrough solutions in high-profit markets.

The UP1000 allows you to build standard-setting workstations for DCC, CAD, GIS, and other processor-intensive graphics applications. Deliver software development workstations that minimize compile, debugging, and execution times. Create workstation solutions that can tackle increasingly demanding scientific applications. And build Linux workstations that take full advantage of Linux 64-bit architecture.

API — developing innovative products that bring unprecedented ease to Alpha system design. API leverages the resources of Samsung to deliver products at competitive prices. By partnering with leading Linux vendors, API is helping customers bring business solutions to the market with key Linux applications — TODAY.

API — Delivering next generation high-performance Alpha Linux solutions into new and emerging markets.



UP1000 MOTHERBOARD

Unmatched Alpha performance

- Accommodates one Alpha 21264 processor running at 600MHz with integrated 2MB L2 cache or 700MHz with integrated 4MB L2 cache
- 3.2GB/s L2 Cache bandwidth
- 800MB/s memory bandwidth

Full expandability

- AMD-751™ System Controller
- 100MHz 64-bit memory bus
- 2x AGP bus for graphics
- Four PCI 32bit/33MHz slots; Two ISA slots
- SDRAM memory subsystem; 64MB to 768MB memory
- 3 PC100 168-pin unbuffered DIMMs
- ALI M1543C Southbridge peripheral and ISA interface
- Ultra DMA IDE (two ports)
- Floppy controller
- Two serial ports with modem control
- Parallel port
- Dual USB ports
- PS/2 keyboard and mouse ports
- 2MB flash ROM

Unprecedented ease of engineering

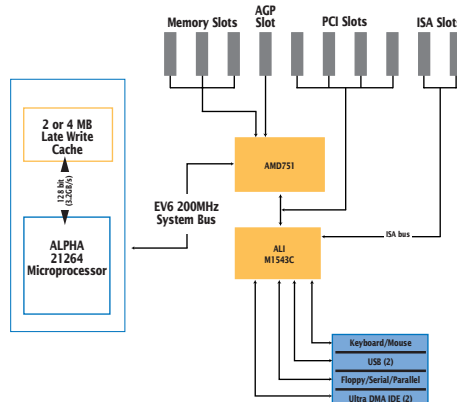
- Alpha Slot B modular design. Each module includes processor and cache, plus
 - I²C bus for integrated system management
 - Thermal sensor
- ATX form factor — 12" x 9.6"
- Compatibility with industry standard power supplies, memory, and other components

Supporting OS

- Linux for Alpha (most major distributions)

Warranty

- Three years



For more information on the UP1000, or any of API's products, contact:

Alpha Processor, Inc.
A Samsung Company

130C Baker Avenue Extension
Concord, MA 01742

Tel: 978-318-1100
Fax: 978-371-3177

sales@alpha-processor.com
info@alpha-processor.com
http://www.alpha-processor.com



Physical Characteristics

Characteristic	Specification
Power	400W ATX Power Supply
Size	Extended ATX 24.38cm x 30.48cm x 12.70cm (9.6in x 12in x 5in)
Operating temperature range	5°C to 35°C (41°F to 95°F)
Storage temperature range	-35°C to 85°C (-31°F to 185°F)
Electrical	Specification
3.3V	6.3A
5V	2.2A
5V Standby	0.8A
-5V	0.05A
12V	12.2A
-12V	0.1A

While Alpha Processor, Inc. believes the information in this publication is correct as of the date of publication, it is subject to change without notice.

© Alpha Processor, Inc. 2000

Samsung Electronics Co. Ltd. 2000

All rights reserved.

Linux is a trademark of Linus Torvalds.

All other trademarks and registered trademarks are the property of their respective companies.