

AlphaPC 164LX Motherboard  
Windows NT

---

User's Manual

# Notice

The information in this publication has been carefully checked and is believed to be entirely accurate at the time of publication. Samsung assumes no responsibility, however, for possible errors or omissions, or for any consequences resulting from the use of the information contained herein.

Samsung reserves the right to make changes in its products or product specifications with the intent to improve function or design at any time and without notice and is not required to update this documentation to reflect such changes.

This publication does not convey to a purchaser of semiconductor devices described herein any license under the patent rights of Samsung or others.

**AlphaPC 164LX Motherboard**  
**Windows NT**  
**User's Manual**

©1997 Samsung Electronics

All rights reserved. No part of this publication may be reproduced, stored in a retrieval system, or transmitted in any form or by any means, electric or mechanical, by photocopying, recording, or otherwise, without the prior written consent of Samsung Electronics.

Alpha, Digital Semiconductor are trademarks of Digital Equipment Corporation.

Samsung and Samsung logo are trademarks of Samsung Electronics Co., Ltd.

FaxBACK and Intel are registered trademarks of Intel Corporation.

GRAFOIL is a registered trademark of Union Carbide Corporation.

Microsoft, MS-DOS, Windows, and Windows 95 are registered trademarks and Windows NT is a trademark of Microsoft Corporation.

QLogic is a registered trademark of QLogic Corporation.

SMC is a registered trademark of Standard Microsystems Corporation.

UNIX is a registered trademark in the United States and other countries licensed exclusively through X/Open Company Ltd.

Xilinx is a trademark of Xilinx, Incorporated.

All other trademarks and registered trademarks are the property of their respective owners.

San #24 Nongseo-ri, Kiheung-eup

Yongin-city, Kyungki-do, Korea

449-900

FAX : 82-331-209-4492

TEL : 82-331-209-6138

Printed in the Republic of Korea

---

# Contents

## 1 About This Manual

1.1	Manual Conventions and Terminology . . . . .	1-1
-----	--	-----

## 2 Features of the AlphaPC 164LX Motherboard

2.1	Power Requirements . . . . .	2-4
2.2	Environmental Requirements . . . . .	2-4
2.3	Physical Parameters . . . . .	2-5
2.4	ATX I/O Shield Requirements . . . . .	2-6

## 3 AlphaPC 164LX Jumper Configuration

3.1	CPU Speed Selection . . . . .	3-1
3.2	Bcache Size Jumpers (CF1 and CF2) . . . . .	3-1
3.3	Password Bypass Jumper (CF3) . . . . .	3-3
3.4	Boot Option Jumper (CF7) . . . . .	3-3
3.5	Flash ROM Update Jumper (J28) . . . . .	3-3

## 4 AlphaPC 164LX Connector Pinouts

4.1	PCI Bus Connector Pinouts . . . . .	4-1
4.2	ISA Expansion Bus Connector Pinouts . . . . .	4-3
4.3	SDRAM DIMM Connector Pinouts . . . . .	4-4
4.4	EIDE Drive Bus Connector Pinouts . . . . .	4-5
4.5	Diskette Drive Bus Connector Pinouts . . . . .	4-6
4.6	Parallel Bus Connector Pinouts . . . . .	4-6
4.7	COM1/COM2 Serial Line Connector Pinouts . . . . .	4-7
4.8	Keyboard/Mouse Connector Pinouts . . . . .	4-7
4.9	SROM Test Data Input Connector Pinouts . . . . .	4-8
4.10	Input Power Connector Pinouts . . . . .	4-8

4.11	Enclosure Fan Power Connector Pinouts . . . . .	4-8
4.12	Speaker Connector Pinouts . . . . .	4-9
4.13	Microprocessor Fan Power Connector Pinouts. . . . .	4-9
4.14	Power LED Connector Pinouts . . . . .	4-9
4.15	IDE Drive LED Connector Pinouts . . . . .	4-10
4.16	Reset Button Connector Pinouts. . . . .	4-10
4.17	Halt Button Connector Pinouts . . . . .	4-10
4.18	Soft Power Connector Pinouts . . . . .	4-10

## 5 Memory and Microprocessor Configuration

5.1	Configuring SDRAM Memory . . . . .	5-1
5.2	Upgrading SDRAM Memory . . . . .	5-2
5.3	Increasing Microprocessor Speed. . . . .	5-2
5.3.1	Preparatory Information. . . . .	5-3
5.3.2	Required Tools . . . . .	5-3
5.3.3	Removing the 21164 Microprocessor . . . . .	5-3
5.3.4	Installing the 21164 Microprocessor . . . . .	5-4

## 6 Interrupts and ISA Bus Addresses

6.1	Interrupts . . . . .	6-1
6.2	ISA I/O Address Map . . . . .	6-2
6.2.1	Flash ROM Address Map . . . . .	6-3

## 7 Configuring for Windows NT

7.1	AlphaBIOS . . . . .	7-1
7.1.1	AlphaBIOS Conventions . . . . .	7-1
7.1.2	Starting the AlphaBIOS Setup Program . . . . .	7-2
7.1.3	Upgrading AlphaBIOS . . . . .	7-3
7.1.4	Performing CMOS Setup Tasks . . . . .	7-4
7.1.5	Setting Up Your Hard Disk. . . . .	7-4
7.1.6	Displaying Your System Configuration . . . . .	7-5
7.1.7	Running a Maintenance Program . . . . .	7-7
7.2	Installing the Windows NT Operating System. . . . .	7-8
7.2.1	Requirements . . . . .	7-9
7.2.2	Before Installing Windows NT . . . . .	7-9
7.2.3	Starting Windows NT Setup. . . . .	7-10

## 8 Troubleshooting

8.1	Password Bypass .....	8-1
8.2	Hardware Startup .....	8-1
8.3	Beep Codes .....	8-2
8.4	Post Codes .....	8-2
8.5	Fail-Safe Booter .....	8-3
8.6	Windows NT Startup .....	8-4

## 9 Battery Recycle/Disposal Information

### A Supporting Products

A.1	Memory .....	A-1
A.2	Thermal Products .....	A-2
A.3	Power Supply .....	A-2
A.4	Enclosure .....	A-3

### B Associated Documentation

## Tables

2-1	AlphaPC 164LX Features . . . . .	2-1
2-2	AlphaPC 164LX Jumper/Connector/Component List . . . . .	2-3
2-3	Power Supply DC Current Requirements . . . . .	2-4
2-4	AlphaPC 164LX Motherboard Environmental Requirements . . . . .	2-5
4-1	PCI Bus Connector Pinouts . . . . .	4-1
4-2	ISA Expansion Bus Connector Pinouts (J30, J31) . . . . .	4-3
4-3	SDRAM DIMM Connector Pinouts (J8 through J11) . . . . .	4-4
4-4	EIDE Drive Bus Connector Pinouts (J6, J7) . . . . .	4-5
4-5	Diskette (Floppy) Drive Bus Connector Pinouts (J15) . . . . .	4-6
4-6	Parallel Bus Connector Pinouts (J13) . . . . .	4-6
4-7	COM1/COM2 Serial Line Connector Pinouts (J4) . . . . .	4-7
4-8	Keyboard/Mouse Connector Pinouts (J5) . . . . .	4-7
4-9	SROM Test Data Input Connector Pinouts (J29) . . . . .	4-8
4-10	Input Power Connector Pinouts (J3)1 . . . . .	4-8
4-11	Enclosure Fan (+12 V dc) Power Connector Pinouts (J2, J19) . . . . .	4-8
4-12	Speaker Connector Pinouts (J20) . . . . .	4-9
4-13	Microprocessor Fan Power Connector Pinouts (J18) . . . . .	4-9
4-14	Power LED Connector Pinouts (J24) . . . . .	4-9
4-15	IDE Drive LED Connector Pinouts (J25) . . . . .	4-10
4-16	Reset Button Connector Pinouts (J21) . . . . .	4-10
4-17	Halt Button Connector Pinouts (J22) . . . . .	4-10
4-18	Soft Power Connector Pinouts (J1) . . . . .	4-10
5-1	AlphaPC 164LX SDRAM Memory Configurations . . . . .	5-1
6-1	ISA Interrupts . . . . .	6-1
6-2	ISA I/O Address Map . . . . .	6-2
7-1	Action Keys . . . . .	7-2
7-2	CMOS Setup Tasks . . . . .	7-4
8-1	Beep Codes . . . . .	8-2
8-2	Post Codes . . . . .	8-2

## Figures

2-1	AlphaPC 164LX Jumper/Connector/Component Location . . . . .	2-2
2-2	ATX I/O Shield Dimensions . . . . .	2-6
2-3	ATX Hole Specification . . . . .	2-7
3-1	AlphaPC 164LX Configuration Jumpers . . . . .	3-2
5-1	Fan/Heat-Sink Assembly . . . . .	5-5
7-1	AlphaBIOS Boot Screen . . . . .	7-3
7-2	Display System Configuration . . . . .	7-6
7-3	Run Maintenance Program Submenu . . . . .	7-7
7-4	Entering the Program Name . . . . .	7-8

# 1

---

## About This Manual

This manual describes the AlphaPC 164LX motherboard, a module for computing systems based on the Alpha™ 21164 microprocessor and the companion Digital Semiconductor 21174 core logic chip. It describes the motherboard's features and how to set its configuration jumpers. This manual helps users to install and populate the AlphaPC 164LX motherboard with memory modules and peripheral cards.

### 1.1 Manual Conventions and Terminology

The following conventions are used in this manual.

**Caution:** Cautions indicate potential damage to equipment, software, or data.

**Note:** Notes provide additional information about a topic.

**Numbering:** All numbers are decimal or hexadecimal unless otherwise indicated. In case of ambiguity, a subscript indicates the radix of nondecimal numbers. For example, 19 is a decimal number, but  $19_{16}$  and 19A are hexadecimal numbers.

**Extents:** Extents are specified by a single number or a pair of numbers in square brackets ([ ]) separated by a colon (:), and are inclusive. For example, bits [7:3] specify an extent including bits 7, 6, 5, 4, and 3. Multiple bit fields are shown as extents.

**Register Figures:** Register figures have bit and field position numbering starting at the right (low-order) and increasing to the left (high-order).

**Signal Names:** All signal names are printed in **boldface** type. Signal names that originate in an industry-standard specification, such as PCI or IDE, are printed in the case as found in the specification (usually uppercase). Active low signals have either a pound sign “#” appended, or a “not” overscore bar; for example, **DEVSEL#** and **RESET**.



## Manual Conventions and Terminology

**Italic Type:** *Italic* type emphasizes important information and indicates complete titles of documents.

**Terms:** The following terms are used in this manual:

<b>This term...</b>	<b>Refers to...</b>
Microsoft Windows NT installation guide	The Microsoft <i>Windows NT Workstation Installation Guide</i> and the <i>Windows NT Server Installation Guide</i> .
Windows NT	The Microsoft Windows NT Workstation and the Windows NT Server operating systems.

## Features of the AlphaPC 164LX Motherboard

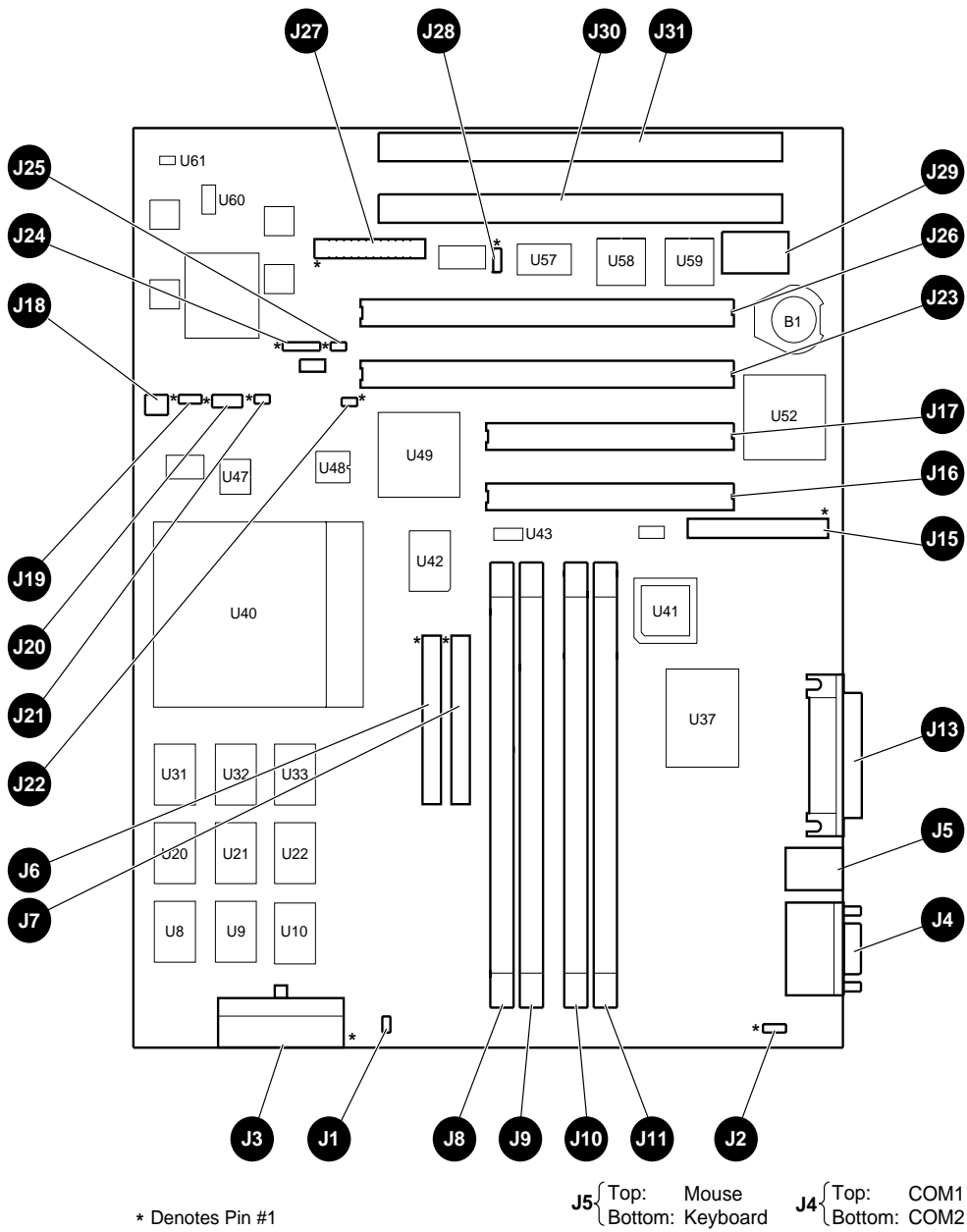
Table 2–1 provides an overview of the AlphaPC 164LX motherboard’s features.

**Table 2–1 AlphaPC 164LX Features**

Feature	Description
Microprocessor	Alpha 21164 microprocessor (64-bit RISC)
Core logic chip	Digital Semiconductor 21174 core logic chip, comprising a single control chip that provides an interface to system memory and the PCI bus
Synchronous DRAM (SDRAM) memory	32MB to 512MB memory array — Two banks of 128-bit memory; 168-pin unbuffered SDRAM DIMMs with ECC
Caching:	
L1 Icache	8KB, direct-mapped instruction cache on the CPU chip
L1 Dcache	8KB, direct-mapped data cache on the CPU chip
L2 Scache	96KB, three-way, set-associative, write-back unified instruction and data cache on the CPU chip
L3 backup cache	Onboard 2MB, direct-mapped, synchronous SSRAM backup cache with 128-bit data path
I/O and miscellaneous support	32-bit and 64-bit, 33-MHz PCI Two 64-bit and two 32-bit PCI expansion slots PCI/IDE control (CMD PCI0646) Intel 82378ZB PCI-to-ISA bridge chip Two dedicated ISA expansion slots SMC FDC37C935 combination controller chip provides control for diskettes, two UARTs with modem control, parallel port, keyboard, mouse, and time-of-year clock 1MB flash ROM
Firmware	Windows NT AlphaBIOS firmware

Figure 2–1 shows the AlphaPC 164LX motherboard and its components.

Figure 2-1 AlphaPC 164LX Jumper/Connector/Component Location



FM-05933.A14



**Table 2-2 AlphaPC 164LX Jumper/Connector/Component List**

<b>Item No.</b>	<b>Description</b>	<b>Item No.</b>	<b>Description</b>
B1	RTC battery (CR2032)	J25	Hard-drive LED connector
J1	Soft power connector	J26	PCI slot 0 (64-bit)
J2	Fan power, enclosure (+12V)	J27	System configuration jumpers
J3	Power (+3V, +5V, -5V, +12V, -12V)	J28	Flash ROM update enable/disable jumper
J4	COM1/COM2 (DB9) connectors	J29	SRAM test port connector
J5	Keyboard/mouse connectors	J30	ISA slot 1
J6	EIDE drive 2/3 connector	J31	ISA slot 0
J7	EIDE drive 0/1 connector	U8 to U10	Cache SRAM (L3)
J8	SDRAM DIMM 0 [0:63] connector	U20 to U22	Cache SRAM (L3)
J9	SDRAM DIMM 1 [64:128] connector	U31 to U33	Cache SRAM (L3)
J10	SDRAM DIMM 2 [0:63] connector	U37	I/O interface and address control (DSC 21174-CA)
J11	SDRAM DIMM 3 [64:128] connector	U40	Microprocessor, socket (DSC Alpha 21164)
J12	Reserved	U41	Patch 8K PAL
J13	Parallel I/O connector	U42	EIDE controller
J14	Reserved	U43	System clock PLL (CY2308)
J15	Diskette (floppy) drive connector	U47	Microprocessor clock synthesizer (MC12439)
J16	PCI slot 3 (32-bit)	U48	Serial ROM, socketed (Xilinx XC17128D)
J17	PCI slot 2 (32-bit)	U49	PCI-to-ISA bridge (Intel 82378ZB)
J18	Microprocessor fan/fan sense connector	U52	Combination controller, Super I/O (SMC FDC37C935)
J19	Enclosure fan +12V power connector	U57	Flash ROM (1MB)
J20	Speaker connector	U58	PCI arbiter PAL
J21	Reset button connector	U59	PCI interrupt request PAL
J22	Halt button connector	U60	Power controller
J23	PCI slot 1 (64-bit)	U61	Power sense
J24	Power LED connector		

## Power Requirements

### 2.1 Power Requirements

The AlphaPC 164LX motherboard has a total power dissipation of 100 W, excluding any plug-in PCI and ISA devices. Table 2-3 lists the power requirement for each dc supply voltage.

The power supply must be ATX-compliant.

**Table 2-3 Power Supply DC Current Requirements**

Voltage/Tolerance	Current <sup>1</sup>
+3.3 V dc, ±5%	5.0 A
+5 V dc, ±5%	14.0 A
-5 V dc, ±5%	0 A
+12 V dc, ±5%	1.0 A
-12 V dc, ±5%	100.0 mA

<sup>1</sup> Values indicated are for an AlphaPC 164LX motherboard with an Alpha 21164 microprocessor operating at 600 MHz, with 64MB SDRAM, excluding adapter cards and disk drives.

**Caution:** **Fan sensor required.** The 21164 microprocessor cooling fan *must* have a built-in sensor that will drive a signal if the airflow stops. The sensor is connected to motherboard connector J18. When the signal is generated, it resets the system.

### 2.2 Environmental Requirements

The 21164 microprocessor is cooled by a small fan blowing directly into the chip's heat sink. The AlphaPC 164LX motherboard is designed to run efficiently by using only this fan. Additional fans may be necessary depending upon cabinetry and the requirements of plug-in cards.

## Physical Parameters

The AlphaPC 164LX motherboard is specified to run within the environment listed in Table 2-4.

**Table 2-4 AlphaPC 164LX Motherboard Environmental Requirements**

Parameter	Specification
Operating temperature	10°C to 40°C (50°F to 104°F)
Storage temperature	-55°C to 125°C (-67°F to 257°F)
Relative humidity	10% to 90% with maximum wet bulb temperature 28°C (82°F) and minimum dew point 2°C (36°F)
Rate of (dry bulb) temperature change	11°C/hour $\pm$ 2°C/hour (20°F/hour $\pm$ 4°F/hour)

### 2.3 Physical Parameters

The AlphaPC 164LX motherboard is an ATX-size printed-wiring board (PWB) with the following dimensions:

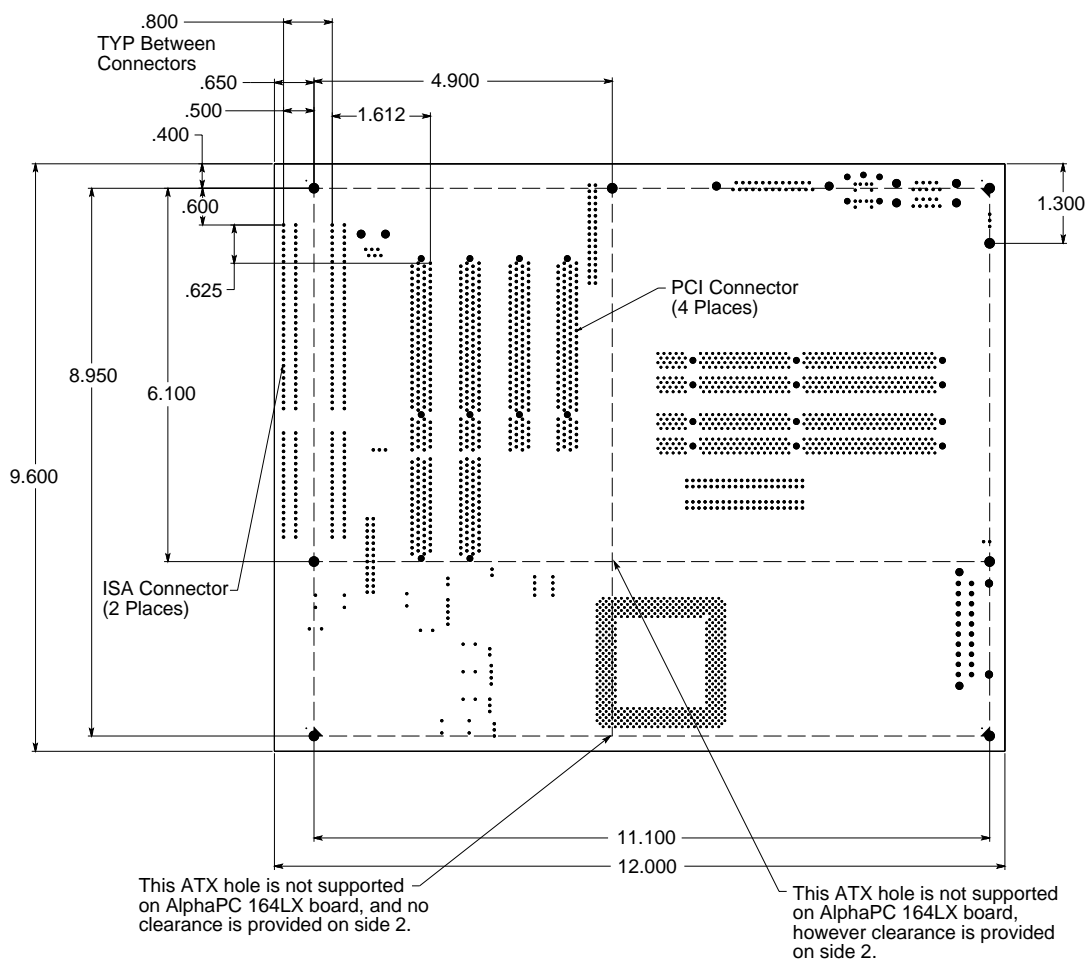
- Length: 30.48 cm (12.0 in  $\pm$ 0.0005 in)
- Width: 24.38 cm (9.6 in  $\pm$ 0.0005 in)
- Height: 6.86 cm (2.7 in)

## Physical Parameters

### 2.3.1 ATX Hole Specification

Figure 2-2 shows the ATX Hole Specification for the AlphaPC 164LX.

Figure 2-2 ATX Hole Specification



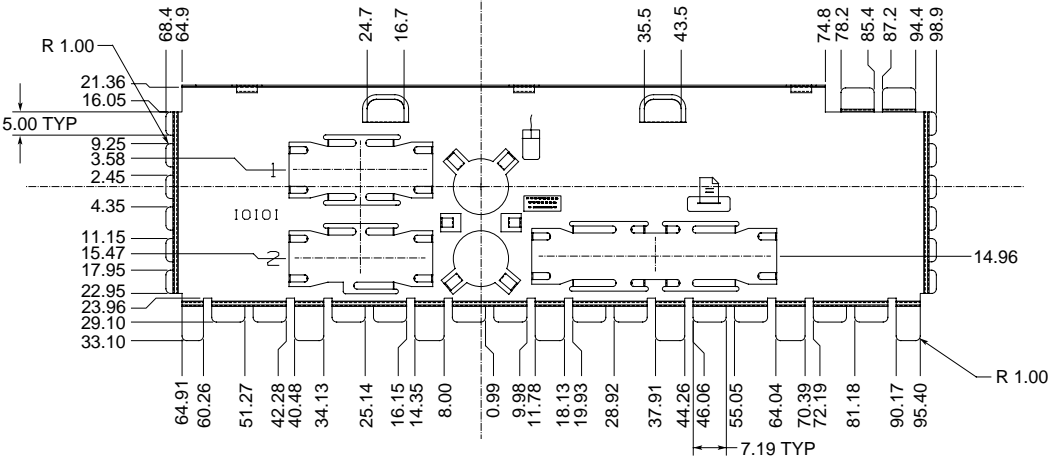
FM-06012.A14

# Physical Parameters

## 2.3.2 ATX I/O Shield Requirements

Figure 2-3 shows the ATX I/O shield dimensions for the AlphaPC 164LX.

Figure 2-3 ATX I/O Shield Dimensions



FM-05986.A14



# 3

---

## AlphaPC 164LX Jumper Configuration

The AlphaPC 164LX motherboard has two groups of jumpers located at J27 and J28, as shown in Figure 2-1. These jumpers set the hardware configuration and boot options. Figure 3-1 shows these jumper configurations.

### 3.1 CPU Speed Selection

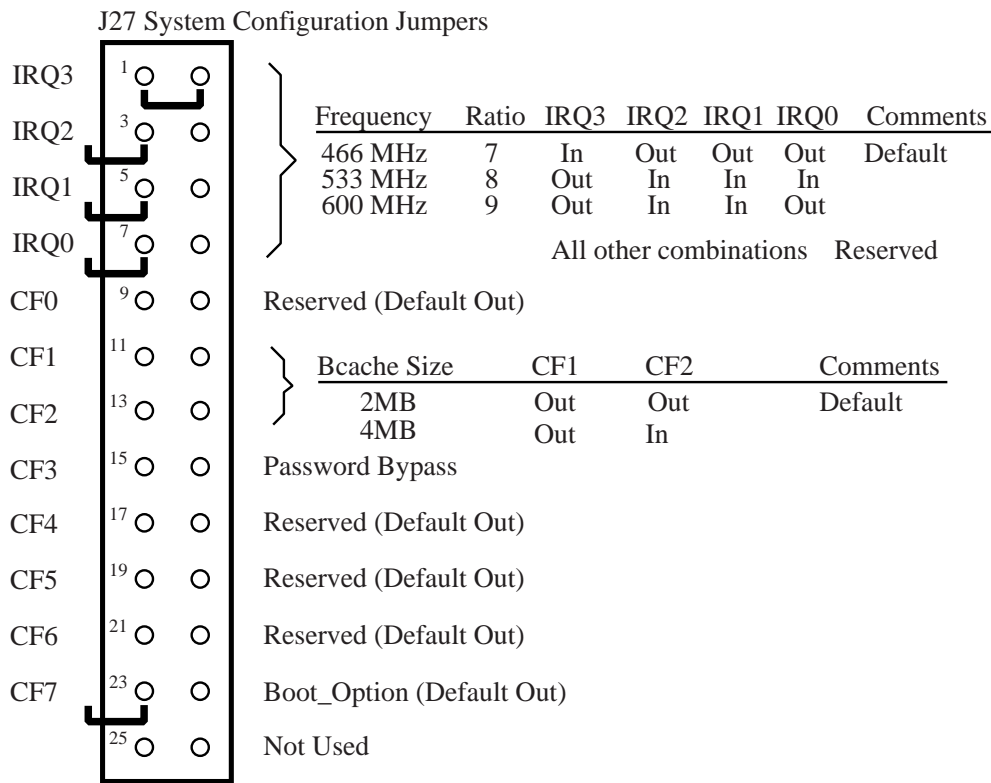
The clock synthesizer at location U47 makes it possible to change the frequency of the microprocessor's system clock output without having to change the clock crystal. Simply set the system clock divisor jumpers to adjust the frequency of the microprocessor's system clock output. These system clock divisor jumpers are located at J27-1/2 (IRQ3), J27-3/4 (IRQ2), J27-5/6 (IRQ1), and J27-7/8 (IRQ0). The jumper configuration is set in IRQ3 through IRQ0. These four jumpers set the speed at power-up as listed in Figure 3-1. The microprocessor frequency divided by the ratio determines the system clock frequency.

### 3.2 Bcache Size Jumpers (CF1 and CF2)

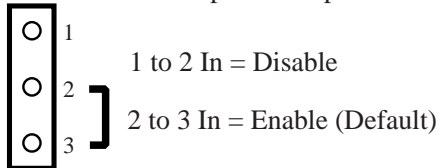
The Bcache size jumpers are located at J27-11/12 (CF) and J27-13/14 (CF2). These jumpers configure the Bcache as specified in Figure 3-1.

## Bcache Size Jumpers (CF1 and CF2)

Figure 3–1 AlphaPC 164LX Configuration Jumpers



### J28 Flash ROM Update Jumper



FM-05931.A14

## Password Bypass Jumper (CF3)

### 3.3 Password Bypass Jumper (CF3)

AlphaBIOS provides password protection. However, Password Bypass is provided for system setup or startup when the AlphaBIOS password is unavailable.

Password Bypass is enabled by inserting jumper CF3 in the J27 System Configuration Jumper Block. This disables the AlphaBIOS password verification and enables the user to set up or start up their system without the AlphaBIOS password. Password Bypass also clears the password.

### 3.4 Boot Option Jumper (CF7)

The boot option jumper is located at J27–23/24 (CF7). The default position for this jumper is out (Figure 3–1). This jumper selects the image to be loaded into memory from the system flash ROM. With the jumper out, the AlphaBIOS Console firmware is loaded. With the jumper in, the fail-safe booter is loaded. For more information about the fail-safe booter, refer to Section 8.5.

### 3.5 Flash ROM Update Jumper (J28)

When J28–2/3 are jumpered together (default), the flash ROM is write-enabled. When J28–1/2 are jumpered together, the flash ROM is write-protected.

# 4

## AlphaPC 164LX Connector Pinouts

This chapter contains pinouts for all of the AlphaPC 164LX connectors. See Figure 2–1 for connector locations.

### 4.1 PCI Bus Connector Pinouts

Table 4–1 shows the PCI bus connector pinouts.

Table 4–1 PCI Bus Connector Pinouts

(Sheet 1 of 2)

Pin	Signal	Pin	Signal	Pin	Signal	Pin	Signal
<b>32-Bit and 64-Bit PCI Connectors (J16, J17, J23, J26)</b>							
A1	TRST#	A2	+12V	A3	TMS	A4	TDI
A5	Vdd	A6	INTA	A7	INTC	A8	Vdd
A9	—	A10	Vdd	A11	—	A12	Gnd
A13	Gnd	A14	—	A15	RST#	A16	Vdd
A17	GNT#	A18	Gnd	A19	—	A20	AD[30]
A21	+3V	A22	AD[28]	A23	AD[26]	A24	Gnd
A25	AD[24]	A26	IDSEL	A27	+3V	A28	AD[22]
A29	AD[20]	A30	Gnd	A31	AD[18]	A32	AD[16]
A33	+3V	A34	FRAME#	A35	Gnd	A36	TRDY#
A37	STOP#	A38	STOP#	A39	+3V	A40	SDONE
A41	SBO#	A42	Gnd	A43	PAR	A44	AD[15]
A45	+3V	A46	AD[13]	A47	AD[11]	A48	Gnd
A49	AD[09]	A50	Not used	A51	Not used	A52	C/BE#[0]
A53	+3V	A54	AD[06]	A55	AD[04]	A56	Gnd
A57	AD[02]	A58	AD[00]	A59	Vdd	A60	REQ64#
A61	Vdd	A62	Vdd	B1	-12V	B2	TCK
B3	Gnd	B4	TDO	B5	Vdd	B6	Vdd
B7	INTB	B8	INTD	B9	PRSNT1#	B10	—

## PCI Bus Connector Pinouts

Table 4–1 PCI Bus Connector Pinouts

(Sheet 2 of 2)

Pin	Signal	Pin	Signal	Pin	Signal	Pin	Signal
B11	PRSNT2#	B12	Gnd	B13	Gnd	B14	—
B15	Gnd	B16	CLK	B17	Gnd	B18	REQ#
B19	Vdd	B20	AD[31]	B21	AD[29]	B22	Gnd
B23	AD[27]	B24	AD[25]	B25	+3V	B26	C/BE#[3]
B27	AD[23]	B28	Gnd	B29	AD[21]	B30	AD[19]
B31	+3V	B32	AD[17]	B33	C/BE#[2]	B34	Gnd
B35	IRDY#	B36	+3V	B37	DEVSEL#	B38	Gnd
B39	LOCK#	B40	PERR#	B41	+3V	B42	SERR#
B43	+3V	B44	C/BE#[1]	B45	AD[14]	B46	Gnd
B47	AD[12]	B48	AD[10]	B49	Gnd	B50	Not used
B51	Not used	B52	AD[08]	B53	AD[07]	B54	+3V
B55	AD[05]	B56	AD[03]	B57	Gnd	B58	AD[01]
B59	Vdd	B60	ACK64#	B61	Vdd	B62	Vdd
<b>64-Bit PCI Connectors Only (J23, J26)</b>							
A63	Gnd	A64	C/BE#[7]	A65	C/BE#[5]	A66	Vdd
A67	PAR64	A68	D[62]	A69	Gnd	A70	D[60]
A71	D[58]	A72	Gnd	A73	D[56]	A74	D[54]
A75	Vdd	A76	D[52]	A77	D[50]	A78	Gnd
A79	D[48]	A80	D[46]	A81	Gnd	A82	D[44]
A83	D[42]	A84	Vdd	A85	D[40]	A86	D[38]
A87	Gnd	A88	D[36]	A89	D[34]	A90	Gnd
A91	D[32]	A92	—	A93	Gnd	A94	—
B63	—	B64	Gnd	B65	C/BE#[6]	B66	C/BE#[4]
B67	Gnd	B68	D[63]	B69	D[61]	B70	Vdd
B71	D[59]	B72	D[57]	B73	Gnd	B74	D[55]
B75	D[53]	B76	Gnd	B77	D[51]	B78	D[49]
B79	Vdd	B80	D[47]	B81	D[45]	B82	Gnd
B83	D[43]	B84	D[41]	B85	Gnd	B86	D[39]
B87	D[37]	B88	Vdd	B89	D[35]	B90	D[33]
B91	Gnd	B92	—	B93	—	B94	Gnd

## ISA Expansion Bus Connector Pinouts

### 4.2 ISA Expansion Bus Connector Pinouts

Table 4–2 shows the ISA expansion bus connector pinouts.

**Table 4–2 ISA Expansion Bus Connector Pinouts (J30, J31)**

Pin	Signal	Pin	Signal	Pin	Signal	Pin	Signal
1	Gnd	2	IOCHCK#	3	RSTDRV	4	SD7
5	Vdd	6	SD6	7	IRQ9	8	SD5
9	-5V	10	SD4	11	DRQ2	12	SD3
13	-12V	14	SD2	15	ZEROWS#	16	SD1
17	+12V	18	SD0	19	Gnd	20	IOCHRDY
21	SMEMW#	22	AEN	23	SMEMR#	24	SA19
25	IOW#	26	SA18	27	IOR#	28	SA17
29	DACK3#	30	SA16	31	DRQ3	32	SA15
33	DACK1#	34	SA14	35	DRQ1	36	SA13
37	REFRESH#	38	SA12	39	SYSCLK	40	SA11
41	IRQ7	42	SA10	43	IRQ6	44	SA9
45	IRQ5	46	SA8	47	IRQ4	48	SA7
49	IRQ3	50	SA6	51	DACK2#	52	SA5
53	TC	54	SA4	55	BALE	56	SA3
57	Vdd	58	SA2	59	OSC	60	SA1
61	Gnd	62	SA0	63	MEMCS16#	64	SBHE#
65	IOCS16#	66	LA23	67	IRQ10	68	LA22
69	IRQ11	70	LA21	71	IRQ12	72	LA20
73	IRQ15	74	LA19	75	IRQ14	76	LA18
77	DACK0#	78	LA17	79	DRQ0	80	MEMR#
81	DACK5#	82	MEMW#	83	DRQ5	84	SD8
85	DACK6#	86	SD9	87	DRQ6	88	SD10
89	DACK7#	90	SD11	91	DRQ7	92	SD12
93	Vdd	94	SD13	95	MASTER#	96	SD14
97	Gnd	98	SD15	—	—	—	—

## SDRAM DIMM Connector Pinouts

### 4.3 SDRAM DIMM Connector Pinouts

Table 4–3 shows the SDRAM DIMM connector pinouts.

**Table 4–3 SDRAM DIMM Connector Pinouts (J8 through J11)<sup>1</sup>** *(Sheet 1 of 2)*

Pin	Signal	Pin	Signal	Pin	Signal	Pin	Signal
1	Gnd	2	DQ0	3	DQ1	4	DQ2
5	DQ3	6	+3V	7	DQ4	8	DQ5
9	DQ6	10	DQ7	11	DQ8	12	Gnd
13	DQ9	14	DQ10	15	DQ11	16	DQ12
17	DQ13	18	+3V	19	DQ14	20	DQ15
21	CB0	22	CB1	23	Gnd	24	NC
25	NC	26	+3V	27	$\overline{WE}$	28	DQMB0
29	DQMB1	30	$\overline{S0}$	31	NC	32	Gnd
33	A0	34	A2	35	A4	36	A6
37	A8	38	A10	39	A12	40	+3V
41	+3V	42	CK0	43	Gnd	44	NC
45	$\overline{S2}$	46	DQMB2	47	DQMB3	48	NC
49	+3V	50	NC	51	NC	52	CB2
53	CB3	54	Gnd	55	DQ16	56	DQ17
57	DQ18	58	DQ19	59	+3V	60	DQ20
61	NC	62	NC	63	CKE1	64	Gnd
65	DQ21	66	DQ22	67	DQ23	68	Gnd
69	DQ24	70	DQ25	71	DQ26	72	DQ27
73	+3V	74	DQ28	75	DQ29	76	DQ30
77	DQ31	78	Gnd	79	CK2	80	NC
81	NC	82	SDA	83	SCL	84	+3V
85	Gnd	86	DQ32	87	DQ33	88	DQ34
89	DQ35	90	+3V	91	DQ36	92	DQ37
93	DQ38	94	DQ39	95	DQ40	96	Gnd
97	DQ41	98	DQ42	99	DQ43	100	DQ44
101	DQ45	102	+3V	103	DQ46	104	DQ47
105	CB4	106	CB5	107	Gnd	108	NC
109	NC	110	+3V	111	$\overline{CAS}$	112	DQMB4
113	DQMB5	114	S1	115	$\overline{RAS}$	116	Gnd
117	A1	118	A3	119	A5	120	A7
121	A9	122	BA0	123	A13	124	+3V

## EIDE Drive Bus Connector Pinouts

**Table 4–3 SDRAM DIMM Connector Pinouts (J8 through J11)<sup>1</sup>** *(Sheet 2 of 2)*

Pin	Signal	Pin	Signal	Pin	Signal	Pin	Signal
125	<b>CK1</b>	126	<b>BA1<sup>2</sup></b>	127	<b>Gnd</b>	128	<b>CKE0</b>
129	<b>S<math>\bar{3}</math></b>	130	<b>DQMB6</b>	131	<b>DQMB7</b>	132	<b>PD<sup>3</sup></b>
133	<b>+3V</b>	134	<b>NC</b>	135	<b>NC</b>	136	<b>CB6</b>
137	<b>CB7</b>	138	<b>Gnd</b>	139	<b>DQ48</b>	140	<b>DQ49</b>
141	<b>DQ50</b>	142	<b>DQ51</b>	143	<b>+3V</b>	144	<b>DQ52</b>
145	<b>NC</b>	146	<b>NC</b>	147	<b>PD</b>	148	<b>Gnd</b>
149	<b>DQ53</b>	150	<b>DQ54</b>	151	<b>DQ55</b>	152	<b>Gnd</b>
153	<b>DQ56</b>	154	<b>DQ57</b>	155	<b>DQ58</b>	156	<b>DQ59</b>
157	<b>+3V</b>	158	<b>DQ60</b>	159	<b>DQ61</b>	160	<b>DQ62</b>
161	<b>DQ63</b>	162	<b>Gnd</b>	163	<b>CK3</b>	164	<b>NC</b>
165	<b>SA0</b>	166	<b>SA1</b>	167	<b>SA2</b>	168	<b>+3V</b>

<sup>1</sup> Pins 1 through 84 are on the front side and pins 85 through 168 are on the back side.

<sup>2</sup> The AlphaPC 164LX uses **BA1** as both **BA1** and **ADDR12**. Therefore, four-bank DIMMs using **ADDR[11:0]** are the maximum size. (Two-bank DIMMs can use **ADDR[12:0]**.)

<sup>3</sup> Pull-down.

## 4.4 EIDE Drive Bus Connector Pinouts

Table 4–4 shows the EIDE drive bus connector pinouts.

**Table 4–4 EIDE Drive Bus Connector Pinouts (J6, J7)**

Pin	Signal	Pin	Signal	Pin	Signal	Pin	Signal
1	<b>RESET</b>	2	<b>Gnd</b>	3	<b>IDE_D7</b>	4	<b>IDE_D8</b>
5	<b>IDE_D6</b>	6	<b>IDE_D9</b>	7	<b>IDE_D5</b>	8	<b>IDE_D10</b>
9	<b>IDE_D4</b>	10	<b>IDE_D11</b>	11	<b>IDE_D3</b>	12	<b>IDE_D12</b>
13	<b>IDE_D2</b>	14	<b>IDE_D13</b>	15	<b>IDE_D1</b>	16	<b>IDE_D14</b>
17	<b>IDE_D0</b>	18	<b>IDE_D15</b>	19	<b>Gnd</b>	20	<b>NC (key pin)</b>
21	<b>MARQ</b>	22	<b>Gnd</b>	23	<b>IOW</b>	24	<b>Gnd</b>
25	<b>IOR</b>	26	<b>Gnd</b>	27	<b>CHRDY</b>	28	<b>BALE</b>
29	<b>MACK</b>	30	<b>Gnd</b>	31	<b>IRQ</b>	32	<b>IOCS16</b>
33	<b>ADDR1</b>	34	<b>NC</b>	35	<b>ADDR0</b>	36	<b>ADDR2</b>
37	<b>CS0</b>	38	<b>CS1</b>	39	<b>ACT</b>	40	<b>Gnd</b>



## Diskette Drive Bus Connector Pinouts

### 4.5 Diskette Drive Bus Connector Pinouts

Table 4–5 shows the diskette (floppy) drive bus connector pinouts.

**Table 4–5 Diskette (Floppy) Drive Bus Connector Pinouts (J15)**

Pin	Signal	Pin	Signal	Pin	Signal	Pin	Signal
1	Gnd	2	DEN0	3	Gnd	4	NC
5	Gnd	6	DEN1	7	Gnd	8	INDEX
9	Gnd	10	MTR0	11	Gnd	12	DR1
13	Gnd	14	DR0	15	Gnd	16	MTR1
17	Gnd	18	DIR	19	Gnd	20	STEP
21	Gnd	22	WDATA	23	Gnd	24	WGATE
25	Gnd	26	TRK0	27	Gnd	28	WRTPRT
29	ID0	30	RDATA	31	Gnd	32	HDSEL
33	ID1	34	DSKCHG	—	—	—	—

### 4.6 Parallel Bus Connector Pinouts

Table 4–6 shows the parallel bus connector pinouts.

**Table 4–6 Parallel Bus Connector Pinouts (J13)**

Pin	Signal	Pin	Signal	Pin	Signal	Pin	Signal
1	STB	2	PD0	3	PD1	4	PD2
5	PD3	6	PD4	7	PD5	8	PD6
9	PD7	10	ACK	11	BUSY	12	PE
13	SLCT	14	AFD	15	ERR	16	INIT
17	SLIN	18	Gnd	19	Gnd	20	Gnd
21	Gnd	22	Gnd	23	Gnd	24	Gnd
25	Gnd	—	—	—	—	—	—

## COM1/COM2 Serial Line Connector Pinouts

### 4.7 COM1/COM2 Serial Line Connector Pinouts

Table 4–7 shows the COM1/COM2 serial line connector pinouts.

**Table 4–7 COM1/COM2 Serial Line Connector Pinouts (J4)**

COM1 Pin (Top)	COM1 Signal	COM2 Pin (Bottom)	COM2 Signal
1	DCD1	1	DCD2
2	RxD1	2	RxD2
3	TxD1	3	TxD2
4	DTR1	4	DTR2
5	SG1	5	SG2
6	DSR1	6	DSR2
7	RTS1	7	RTS2
8	CTS1	8	CTS2
9	RI1	9	RI2

### 4.8 Keyboard/Mouse Connector Pinouts

Table 4–8 shows the keyboard/mouse connector pinouts.

**Table 4–8 Keyboard/Mouse Connector Pinouts (J5)**

Keyboard Pin (Top)	Keyboard Signal	Mouse Pin (Bottom)	Mouse Signal
1	KBDATA	1	MSDATA
2	NC	2	NC
3	Gnd	3	Gnd
4	Vdd	4	Vdd
5	KBCLK	5	MSCLK
6	NC	6	NC

## SROM Test Data Input Connector Pinouts

### 4.9 SROM Test Data Input Connector Pinouts

Table 4–9 shows the SROM test data input connector pinouts.

**Table 4–9 SROM Test Data Input Connector Pinouts (J29)**

Pin	Signal	Name
1	NC	—
2	<b>SROM_CLK_L</b>	Clock out
3	<b>Gnd</b>	—
4	NC	—
5	<b>TEST_SROM_D_L</b>	SROM serial data in
6	NC	—

### 4.10 Input Power Connector Pinouts

Table 4–10 shows the input power connector pinouts.

**Table 4–10 Input Power Connector Pinouts (J3)<sup>1</sup>**

Pin	Voltage	Pin	Voltage	Pin	Voltage	Pin	Voltage
1	+3.3 V dc	2	+3.3 V dc	3	<b>Gnd</b>	4	+5 V dc
5	<b>Gnd</b>	6	+5 V dc	7	<b>Gnd</b>	8	<b>P_DCOK</b>
9	<b>5 V SB</b>	10	+12 V dc	11	+3.3 V dc	12	–12 V dc
13	<b>Gnd</b>	14	<b>PS_ON</b>	15	<b>Gnd</b>	16	<b>Gnd</b>
17	<b>Gnd</b>	18	–5 V dc	19	+5 V dc	20	+5 V dc

<sup>1</sup>This pinout is ATX-compliant.

### 4.11 Enclosure Fan Power Connector Pinouts

Table 4–11 shows the enclosure fan power connector pinouts.

**Table 4–11 Enclosure Fan (+12 V dc) Power Connector Pinouts (J2, J19)**

Pin	Voltage
1	<b>Gnd</b>
2	+12 V dc
3	<b>Gnd</b>

## Speaker Connector Pinouts

### 4.12 Speaker Connector Pinouts

Table 4–12 shows the speaker connector pinouts.

**Table 4–12 Speaker Connector Pinouts (J20)**

Pin	Signal	Name
1	SPKR	Speaker output
2	Gnd	—
3	Gnd	—
4	Gnd	—

### 4.13 Microprocessor Fan Power Connector Pinouts

Table 4–13 shows the microprocessor fan power connector pinouts.

**Table 4–13 Microprocessor Fan Power Connector Pinouts (J18)**

Pin	Signal	Name
1	+12V	—
2	FAN_CONN_L	Fan connected
3	Gnd	—

### 4.14 Power LED Connector Pinouts

Table 4–14 shows the power LED connector pinouts.

**Table 4–14 Power LED Connector Pinouts (J24)**

Pin	Signal	Name
1	POWER_LED_L	Power LED input
2	Gnd	—
3	NC	—
4	NC	—
5	NC	—

## IDE Drive LED Connector Pinouts

### 4.15 IDE Drive LED Connector Pinouts

Table 4–15 shows the IDE drive LED connector pinouts.

**Table 4–15 IDE Drive LED Connector Pinouts (J25)**

Pin	Signal	Name
1	HD_ACT_L	Hard drive active
2	HD_LED_L	Hard drive LED input

### 4.16 Reset Button Connector Pinouts

Table 4–16 shows the reset button connector pinouts.

**Table 4–16 Reset Button Connector Pinouts (J21)**

Pin	Signal	Name
1	RESET_BUTTON	Reset system
2	Gnd	—

### 4.17 Halt Button Connector Pinouts

Table 4–17 shows the halt button connector pinouts.

**Table 4–17 Halt Button Connector Pinouts (J22)**

Pin	Signal	Name
1	HALT_BUTTON	Halt system
2	Gnd	—

**Note:** The Halt button is not used with the Windows NT operating system.

### 4.18 Soft Power Connector Pinouts

Table 4–18 shows the soft power connector pinouts.

**Table 4–18 Soft Power Connector Pinouts (J1)**

Pin	Signal	Name
1	Input	System power on/off
2	Gnd	—

# 5

## Memory and Microprocessor Configuration

For higher system speed or greater throughput, you can upgrade SDRAM memory by replacing DIMMs with those of greater size.

When configuring or upgrading SDRAM, observe the following rules:

- Each DIMM must be a 168-bit unbuffered version and have a frequency of 100 MHz.
- All DIMMs must be of equal size if they are in the same bank.

### 5.1 Configuring SDRAM Memory

Although not an exhaustive list, Table 5–1 lists the tested SDRAM memory configurations available.

For a list of vendors who supply components and accessories for the AlphaPC 164LX, see Appendix A.

Refer to Figure 2–1 for DIMM connector locations.

**Table 5–1 AlphaPC 164LX SDRAM Memory Configurations** *(Sheet 1 of 2)*

<b>Total Memory</b>	<b>Bank 0 (J8 and J9)</b>	<b>Bank 1 (J10 and J11)</b>	<b>SEC DIMM Part Number</b>
32MB(Min)	Two of 2Mb x 72	None	KMM374S203BTL
64MB	Two of 2Mb x 72	Two of 2Mb x 72	KMM374S203BTL
	Two of 4Mb x 72	None	KMM374S403BTL
96MB	Two of 4Mb x 72	Two of 2Mb x 72	KMM374S403BTL

## Upgrading SDRAM Memory

**Table 5–1 AlphaPC 164LX SDRAM Memory Configurations** (Sheet 2 of 2)

Total Memory	Bank 0 (J8 and J9)	Bank 1 (J10 and J11)	SEC DIMM Part Number
128MB	Two of 4Mb x 72	Two of 4Mb x 72	KMM374S403BTL
	Two of 8Mb x 72	None	KMM374S823BTL
160MB	Two of 8Mb x 72	Two of 2Mb x 72	KMM374S823BTL
192MB	Two of 8Mb x 72	Two of 4Mb x 72	KMM374S823BTL
256MB	Two of 8Mb x 72	Two of 8Mb x 72	KMM374S823BTL
	Two of 16Mb x 72	None	KMM374S1623ATL
384MB	Two of 16Mb x 72	Two of 8M x 72	KMM374S1623ATL
512MB	Two of 16Mb x 72	Two of 16Mb x 72	KMM374S1623ATL

**Note:** The table above lists some basic memory configurations for reference. There are additional configurations not listed and BIOS will detect memory sizes automatically.

- 1Mb x 72 is not supported because required minimum memory density is 32MB.
- Each DIMM must be 168-pin unbuffered version with frequency of 100MHz
- All DIMMs in a common bank must be of equal size.
- Each bank must contain two DIMMs because the memory controller requires a 128bit data width.

## 5.2 Upgrading SDRAM Memory

You can upgrade memory in the AlphaPC 164LX by adding more DIMMs or replacing the ones that you have with a greater size. Refer to Figure 2–1 for DIMM connector locations.

Use the following general guidelines:

1. **Observe antistatic precautions.** Handle DIMMs only at the edges to prevent damage.
2. Remove power from the system.
3. Open levers and align the DIMM.
4. Firmly push the module into the connector. Ensure that the DIMM snaps into the plastic locking levers on both ends.
5. Restore power to the system.

## Increasing Microprocessor Speed

### 5.3 Increasing Microprocessor Speed

This section describes how to complete the following actions to increase microprocessor speed:

- Replace the 21164 microprocessor with an AlphaPC chip that has a higher speed rating.
- Reconfigure the clock divisor jumpers.

#### 5.3.1 Preparatory Information

**Caution:** Static-Sensitive Component – Due to the sensitive nature of electronic components to static electricity, anyone handling the microprocessor *must* wear a properly grounded antistatic wriststrap. Use of antistatic mats, ESD approved workstations, or exercising other good ESD practices is recommended.

A 21164 microprocessor with a higher speed rating is available from your local distributor. See Appendix A for information about supporting products.

When replacing the microprocessor chip, also replace the thermal conducting GRAFOIL pad. See Appendix A for information about the parts kit, which includes the heat sink, GRAFOIL pad, two hex nuts, heat-sink clips, 60-mm fan, fan guard, and four screws.

#### 5.3.2 Required Tools

The following tools are required when replacing the microprocessor chip:

A TS30 manual nut/torque driver (or equivalent) with the following attachments is required to affix the heat sink and fan to the microprocessor's IPGA package:

- 1/4-inch hex bit
- 7/16-inch socket with 1/4-inch hex drive
- #2 Phillips-head screwdriver bit

#### 5.3.3 Removing the 21164 Microprocessor

Remove the microprocessor currently in place at location U40 by performing the following steps:

1. Unplug the fan power/sensor cable from connector J18 (see Figure 2–1).



## Increasing Microprocessor Speed

2. Remove the four 6-32 X 0.875-inch screws that secure the fan and fan guard to the heat sink.
3. Remove the fan and fan guard.
4. If the sink/chip/fan clip is used, remove it by unhooking its ends from around the ZIF socket retainers.
5. Using a 7/16-inch socket, remove the two nuts securing the heat sink to the microprocessor studs.
6. Remove the heat sink by gently lifting it off the microprocessor.
7. Remove and discard the GRAFOIL heat conduction pad.
8. Thoroughly clean the bottom surface of the heat sink before affixing it to the new microprocessor.
9. Lift the ZIF socket actuator handle to a full 90° angle.
10. Remove the microprocessor chip by lifting it straight out of the socket.

### 5.3.4 Installing the 21164 Microprocessor

Install the new microprocessor in location U40 by performing the following steps:

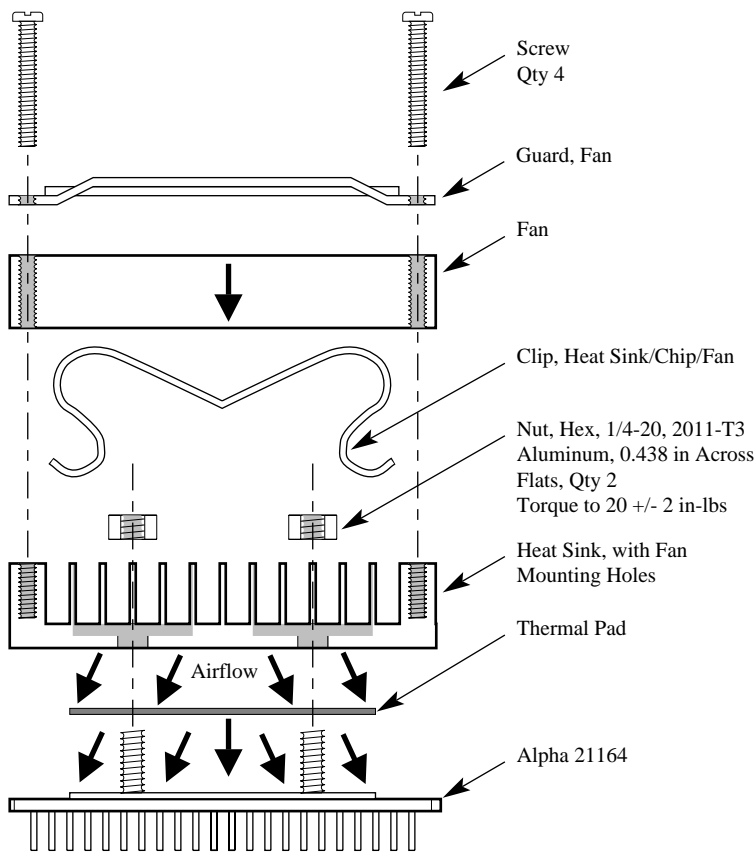
**Note:** Install the heat sink only after the microprocessor has been assembled to the ZIF socket.

1. Observe antistatic precautions.
2. Lift the ZIF socket actuator handle to a full 90° angle.
3. Ensure that all the pins on the microprocessor package are straight.
4. The ZIF socket and microprocessor are keyed to allow for proper installation. Align the microprocessor, with its missing AD01 pin, with the corresponding plugged AD01 position on the ZIF socket. Gently lower into position.
5. Close the ZIF socket actuator handle to its locked position.
6. Install the heat sink and heat-sink fan as directed in the following steps. A heat-sink/fan kit is available from the vendor listed at the beginning of this procedure. Refer to Figure 5–1 for heat-sink and fan assembly details.

## Increasing Microprocessor Speed

Figure 5-1 shows the Fan/Heat-Sink Assembly on AlphaPC 164LX.

**Figure 5-1 Fan/Heat-Sink Assembly**



FM-06013.A14

- a. Put the GRAFOIL thermal pad in place. The GRAFOIL pad is used to improve the thermal conductivity between the chip package and the heat sink by replacing micro air pockets with a less insulative material. Perform the following steps to position the GRAFOIL pad:
  1. Perform a visual inspection of the package slug to ensure that it is free of contamination.
  2. Wearing clean gloves, pick up the GRAFOIL pad. **Do not** perform this with bare hands because skin oils can be transferred to the pad.

## Increasing Microprocessor Speed

3. Place the GRAFOIL pad on the gold-plated slug surface and align it with the threaded studs.
- b. Attach the microprocessor heat sink. The heat-sink material is clear anodized, hot-water-sealed, 6061-T6 aluminum. The nut material is 2011-T3 aluminum (this grade is critical). Perform the following steps to attach the heat sink:
  1. Observe antistatic precautions.
  2. Align the heat-sink holes with the threaded studs on the ceramic package.
  3. Handle the heat sink by the edges and lower it onto the chip package, taking care not to damage the stud threads.
  4. Set a calibrated torque driver to 20 in-lbs,  $\pm 2$  in-lbs (2.3 Nm,  $\pm 0.2$  Nm). The torque driver should have a mounted 7/16-inch socket.
  5. Insert a nut into the 7/16-inch socket, place on one of the studs, and tighten to the specified torque. Repeat for the second nut.
  6. If the sink/chip/fan clip is used, properly install it by positioning it over the assembly and hooking its ends around the ZIF socket retainers.
- c. Attach the heat-sink fan assembly:
  1. Place the fan assembly on top of the heat sink, aligning the fan mounting holes with the corresponding threaded heat-sink holes. Align the fan so that the fan power/sensor wires exit the fan closest to connector J18 (see Figure 2-1). Fan airflow must be directed into the heat sink (fan label facing down toward the heat sink).
  2. Place the fan guard on top of the fan. Orient the guard so that the corner mounting areas lay flush against the heat sink.
  3. Secure the fan and fan guard to the heat sink with four 6-32 X 0.875-inch screws.
  4. Plug the fan power/sensor cable into connector J18.

**Important:** When installing the microprocessor, you must change the frequency of its clock output by setting the system clock divisor jumpers, as described in Section 3.1.

# 6

---

## Interrupts and ISA Bus Addresses

This section lists the system and I/O interrupt assignments. It also lists the physical Alpha 164LX I/O space assignments.

### 6.1 Interrupts

Table 6-1 lists each Alpha 164LX ISA interrupt and its source.

**Table 6-1 ISA Interrupts**

*(Sheet 1 of 2)*

<b>Interrupt Number</b>	<b>Interrupt Source</b>
IRQ0	Internal timer 1
IRQ1	Keyboard
IRQ2	Interrupt from controller 2
IRQ3	COM2
IRQ4	COM1
IRQ5	Available
IRQ6	Diskette (floppy)
IRQ7	Parallel port
IRQ8# <sup>1</sup>	Reserved
IRQ9	Available
IRQ10	Available
IRQ11	Available
IRQ12	Mouse

## ISA I/O Address Map

**Table 6–1 ISA Interrupts**

(Sheet 2 of 2)

Interrupt Number	Interrupt Source
IRQ13	Available
IRQ14	IDE
IRQ15	IDE

<sup>1</sup> The # symbol indicates an active low signal.

## 6.2 ISA I/O Address Map

Table 6–2 lists the Alpha 164LX ISA I/O space address mapping.

**Table 6–2 ISA I/O Address Map**

Range (hex)	Usage
000-00F	8237 DMA #1
020-021	8259 PIC #1
040-043	8253 timer
060-061	Ubus IRQ12 and NMI control
070	CMOS RAM address and NMI mask register
080-08F	DMA page registers
0A0-0A1	8259 PIC #2
0C0-0DF	8237 DMA #2
2F8-2FF	Serial port—COM2
370-377	Secondary diskette (floppy)
3BC-3BF	Parallel port—LPT1
3F0-3F7	Primary diskette (floppy)
3F8-3FF	Serial port—COM1
800	FLASH_ADR19 register
801	Alpha 164LX configuration register
804-806	PCI interrupt registers

## ISA I/O Address Map

### 6.2.1 Flash ROM Address Map

The address range for the flash ROM is FFF8.0000–FFFF.FFFF. Flash space of 1MB is obtained by double mapping this 512KB space. FLASH\_ADR19 register at I/O location  $800_{16}$  provides this function. Writing a 0 to this location enables the lower 512KB of flash. Writing a 1 to this location enables the upper 512KB of flash.

---

## Configuring for Windows NT

This chapter contains a subset of the online documentation necessary to start up your system. You can access the complete documentation online when your system is up and running.

The online documentation describes configuration information for Alpha systems running AlphaBIOS. The online documentation resides on a diskette labeled *AlphaPC 164LX AlphaBIOS Firmware* diskette. The documentation is available as a text file and a Help file compatible with Windows NT 4.0 and Windows 95.

### 7.1 AlphaBIOS

The AlphaPC 164LX motherboard ships with AlphaBIOS firmware and online documentation that describes how to configure the firmware for Windows NT. This firmware initializes the system and enables you to install and boot the Windows NT operating system. The AlphaBIOS firmware resides in the flash ROM on the AlphaPC 164LX motherboard.

#### 7.1.1 AlphaBIOS Conventions

AlphaBIOS uses universally accepted keys and key combinations for navigating the interface and selecting items. If you are familiar with MS-DOS or Microsoft Windows keyboard conventions, navigating AlphaBIOS is simple. Table 7-1 shows the keys to use for navigating and selecting items in AlphaBIOS.

## AlphaBIOS

**Table 7–1 Action Keys**

Press...	To...
TAB	Move highlight forward between fields of a dialog
SHIFT + TAB	Move highlight backwards between fields of a dialog
↑ or ↓	Move highlight within a menu, or cycle through available field values in a dialog window
ALT + ↓	Drop down a menu of choices from a drop-down listbox. A drop-down listbox can be recognized by the symbol ↓
HOME	Move to the beginning of a text entry field
END	Move to the end of a text entry field
← →	Move to the left or right in a text entry field
ESC	Discard changes and back up to previous screen

Two levels of keyboard help are available:

- Press **F1** once to display explanations of the keystrokes available for the *currently displayed* part of AlphaBIOS.
- Press **F1** twice to display explanations of the keystrokes available for navigating *throughout* AlphaBIOS.

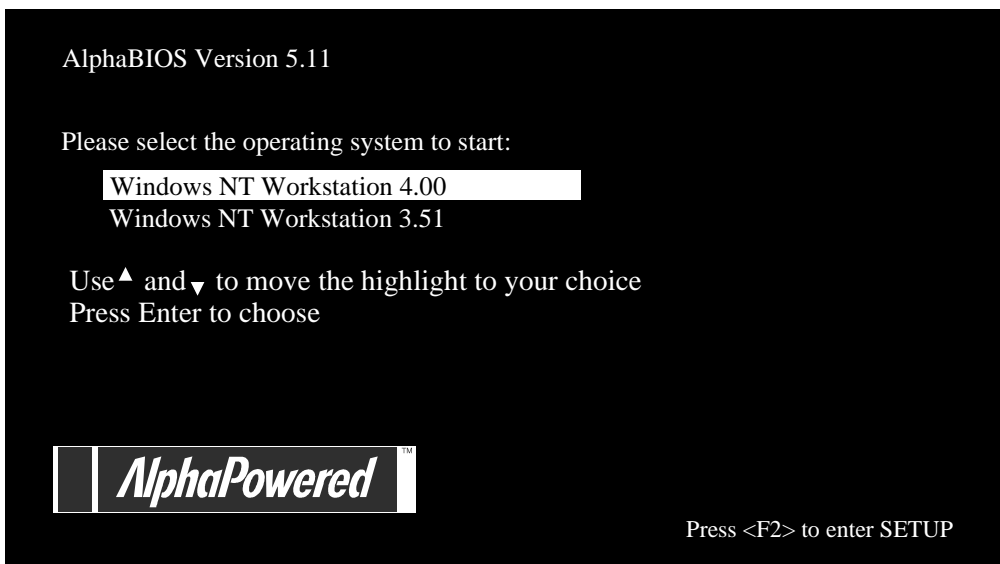
### 7.1.2 Starting the AlphaBIOS Setup Program

When you power up or reset your system, the boot screen with the system logo is displayed. Pressing **F2** at this screen starts the setup program. Figure 7–1 shows an example of an AlphaBIOS Boot Screen with the “Press <F2> to enter SETUP” message at the bottom.



## AlphaBIOS

Figure 7-1 AlphaBIOS Boot Screen



### 7.1.3 Upgrading AlphaBIOS

As new versions of Windows NT are released, it might be necessary to upgrade AlphaBIOS to the latest version. Additionally, as improvements are made to AlphaBIOS, it might be desirable to upgrade to take advantage of new features.

To upgrade from an earlier version of AlphaBIOS:

1. Insert the diskette or CD-ROM containing the AlphaBIOS upgrade.
2. Run the AlphaBIOS Setup program by restarting your system and pressing **F2** when the boot screen is displayed.
3. In the main AlphaBIOS Setup screen, select Upgrade AlphaBIOS and press **Enter**.

This menu option is used to upgrade to later versions of AlphaBIOS. When you choose this option, the existing AlphaBIOS searches for an executable AlphaBIOS update file; first on CD-ROM, then on diskette. Once the update file has been found, AlphaBIOS executes it, and the firmware is upgraded.

4. After the upgrade is complete, the system either resets automatically or prompts you to reset the system.

## AlphaBIOS

### 7.1.4 Performing CMOS Setup Tasks

CMOS Setup is divided into two modes, standard and advanced. Table 7–2 lists the tasks that you can perform in standard and advanced setup mode.

**Table 7–2 CMOS Setup Tasks**

Standard CMOS Setup	Advanced CMOS Setup
Autostart	Memory test
Date and time	PCI parity
Floppy	Password protection
Keyboard	SCSI termination SCSI BIOS emulation

To enter standard CMOS Setup:

- Start AlphaBIOS Setup, select CMOS Setup, and press **Enter**.

To enter advanced CMOS Setup:

1. Start AlphaBIOS Setup, select CMOS Setup, and press **Enter**.
2. In the CMOS Setup screen, press **F6**.

### 7.1.5 Setting Up Your Hard Disk

Express hard-disk setup is an easy way to create the recommended partition arrangement on your first hard disk, disk 0. Note, however, that express hard-disk setup does not format the large partition with NTFS. You will have the opportunity to do this during the Windows NT installation.

**Note:** AlphaBIOS assigns “disk 0” to the hard disk with the lowest SCSI ID number on the first bus in your system. If no SCSI devices are present, AlphaBIOS assigns disk 0 to the first IDE hard drive.

**Caution:** If you have any information on your disk that you want to save, be sure to back it up before using express hard-disk setup.

## AlphaBIOS

To perform express hard-disk setup:

1. Start AlphaBIOS Setup, select Hard Disk Setup, and press **Enter**.
2. Press **F7** to enter express hard-disk setup.
3. Press **F10** to continue with the setup.

For information on manually managing hard disks, see the online documentation.

### 7.1.6 Displaying Your System Configuration

You can use AlphaBIOS to display your system configuration in a clear, easy-to-read format, organized by categories: system board, memory, hard disk, PCI, SCSI, and peripherals.

To display your system configuration:

1. Start AlphaBIOS Setup, select Display System Configuration, and press **Enter**.
2. In the Display System Configuration screen, use the arrow keys to select the configuration category that you want to see, such as the example shown in Figure 7-2.

## AlphaBIOS

Figure 7-2 Display System Configuration

**Diplay System Configuration**

- Systemboard Congifuration
- Hard Disk Configuration
- PCI Configuration
- EISA Configuration
- SCSI Configuration
- MC Bus Configuration
- Memory Configuration
- Server Management Features
- Integrated Peripherals

System Type: AlphaServer 4100/500

Processor: Digital Alpha 21164, Revision 7.2  
Speed : 300 MHz  
Memory: 128 MB

Floppy Drive A: 3.5" 1.44 MB  
Floppy Drive B: None  
Keyboard : U.S. 101-keyboard

AlphaBIOS Version : 3.60-3      970821.1226

ESC=Exit

Use the Arrow or Tab keys to view different categories of configuration information

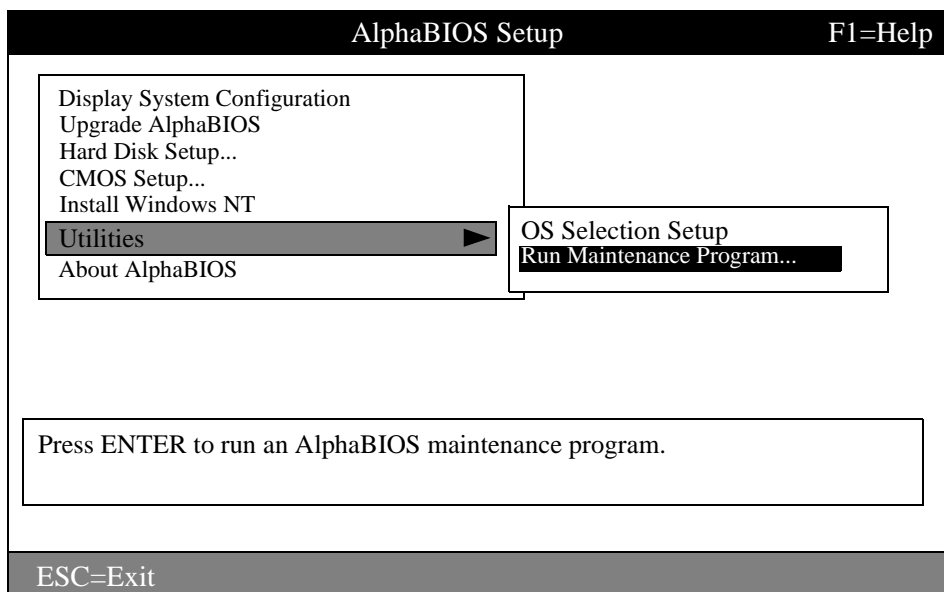
## 7.1.7 Running a Maintenance Program

You can run maintenance programs such as RAID and other configuration utilities directly from the AlphaBIOS utility menu.

To run a maintenance program:

1. Start AlphaBIOS Setup, select Utilities, select Run Maintenance Program from the submenu shown in Figure 7–3, and press **Enter**.

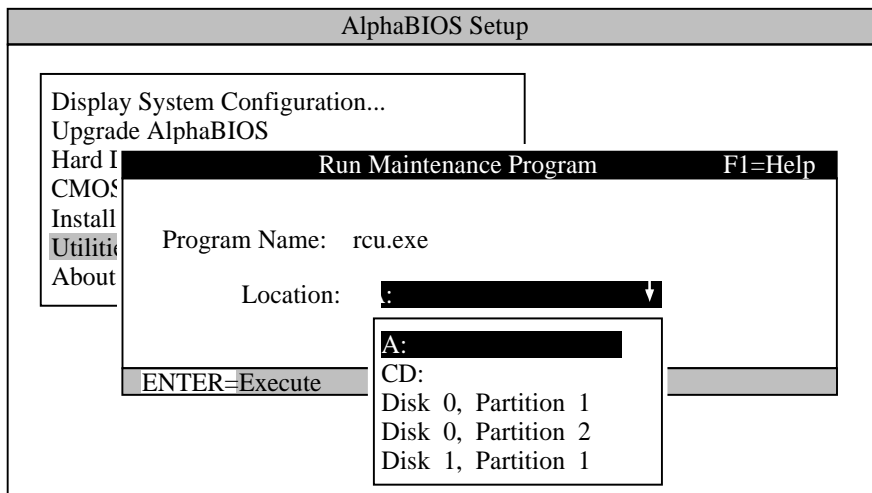
**Figure 7–3 Run Maintenance Program Submenu**



2. In the Run Maintenance Program dialog box, type the name of the program to be run at the Program Name prompt, as shown in Figure 7–4. Then tab to the Location listbox and select the hard-disk partition, floppy diskette, or CD-ROM drive from which to run the program.
3. Press **Enter** to execute the program.

## Installing the Windows NT Operating System

Figure 7-4 Entering the Program Name



FM-05956.A14

If you are running a utility from a floppy diskette, you can simply type the utility's name into the Program Name field, and press **Enter**. This is because the floppy drive is the default selection in the Current Partition field.

Use Alt + ↓ when a listbox is selected to open the list.

## 7.2 Installing the Windows NT Operating System

This section supplements the Microsoft Windows NT installation guide for installing the Windows NT operating system on an Alpha 164LX system.

If you already have a previous version of Windows NT installed, see the Microsoft Windows NT installation guide for information about how to upgrade to a new version of the operating system.

## Installing the Windows NT Operating System

### 7.2.1 Requirements

You need the following hardware and software to install the Windows NT operating system on an Alpha 164LX system:

- A 100MB or larger drive

**Note:** For information regarding supported IDE/ATA hard drives, ATAPI CD-ROM drives, SCSI hard drives, CD-ROM drives, and controllers supported as boot/installation devices, see the README.TXT file on the *Alpha 164LX AlphaBIOS Firmware* diskette.

- 32MB or more of memory
- The Microsoft Windows NT compact disk
- The *Alpha 164LX AlphaBIOS Firmware* diskette
- The *Alpha 164LX Windows NT 4.0 Installation* diskette

**Note:** The *Alpha 164LX Windows NT 4.0 Installation* diskette is required for the Windows NT 4.0 operating system. Future versions of Windows NT may not require this diskette. Contact your OEM or system vendor for details.

### 7.2.2 Before Installing Windows NT

Before installing Windows NT, ensure that you have completed the following tasks:

- Use the CMOS Setup program to:
  - Set the system date and time
  - Verify that all other standard CMOS settings match your system.

Refer to Section 7.1.4 for more information about the CMOS Setup program.

- Perform an express hard-disk setup. This configures the first hard disk that AlphaBIOS detects in your system with the recommended default partition arrangement. See Section 7.1.5 for more information on setting up your hard disk. If you do not want to use the express hard-disk setup, refer to the online AlphaBIOS documentation for other hard-disk setup options.

## Installing the Windows NT Operating System

### 7.2.3 Starting Windows NT Setup

Windows NT Setup, located on the Microsoft Windows NT compact disk, installs the Windows NT operating system. Windows NT Setup provides a brief description of the available key functions at the bottom of the screen.

During the Windows NT installation procedure, you may be prompted for the type of computer that you have. For the Alpha 164LX system, choose DIGITAL AlphaPC 164LX. If AlphaPC 164LX is not one of the choices, choose “other” *after* you have inserted the *AlphaPC 164LX Windows NT 4.0 Installation* diskette. The following procedure supersedes the Starting Setup on a RISC-based Computer section of the Microsoft Windows NT installation guide.

To start the Windows NT Setup program:

1. Insert the Windows NT compact disc in the CD-ROM drive.
2. Restart your computer.
3. Start AlphaBIOS Setup, select Install Windows NT, and press **Enter**.
4. Follow the instructions on the screen.



---

## Troubleshooting

This chapter contains information about troubleshooting hardware and software during AlphaPC 164LX startup.

### 8.1 Password Bypass

AlphaBIOS provides password protection. However, Password Bypass is provided for system setup or startup when the AlphaBIOS password is unavailable.

Password Bypass is enabled by inserting jumper CF3 in the J27 System Configuration Jumper Block (see Figure 3-1). This disables the AlphaBIOS password verification and enables the user to set up or start up their system without the AlphaBIOS password. Password Bypass also clears the password.

### 8.2 Hardware Startup

Use the following troubleshooting steps if video is not working on your system. If you still have no video after reviewing these steps, please call your system vendor.

#### **Troubleshooting Steps: No Video**

1. Check the connection to the ac outlet.
2. Check the voltage setting on the power supply (115 V ac in the U.S.).
3. Check that the frequency/jumper selection matches the speed of the Alpha chip.
4. Check that the oscillator is installed into the motherboard correctly.
5. Check that the CPU fan is connected and spinning.
6. Ensure that the flash ROM update procedure was performed correctly. If you have a terminal attached to COM1, check the output for error messages after verifying that the flash ROM update procedure was performed correctly.
7. Reseat the video card and ensure that it is connected to the monitor.

## Beep Codes

8. Reseat the DIMMs.
9. Replace the DIMMs.

### 8.3 Beep Codes

The beep codes provide error information about the AlphaPC 164LX system. Table 8-1 lists and describes the beep codes.

**Table 8-1 Beep Codes**

Beep Code	Description
1-2-3 <sup>1</sup>	This sequence represents the fail-safe booter startup.
4	No valid header found in ROM; loading entire ROM.
5	No memory found.
6	Checksum error detected when image was read back from memory.

<sup>1</sup> One beep and a pause, followed by two beeps and a pause, followed by three beeps.

### 8.4 Post Codes

The post codes indicate the progress of the SROM and AlphaBIOS firmware. Table 8-2 lists and describes the post codes.

**Table 8-2 Post Codes**

*(Sheet 1 of 2)*

Source	Post Code (hex)	Description
SROM	00	Firmware initialization is complete
	01	CPU speed detected
	02	CPU speed converted
	03	Configuration jumpers read
	04	Bcache configuration value computed
	05	Bcache control value computed
	06	Bcache turned off
	0C	Memory sized and memory bank 0 written
	0F	Bcache turned on
	13	All of memory rewritten (good data parity written)
	14	Memory errors cleared; start reading system ROM
	15	Loading ROM without SROM decompression
	16	Loading ROM using SROM decompression

## Fail-Safe Booter

**Table 8–2 Post Codes**

(Sheet 2 of 2)

Source	Post Code (hex)	Description
	17	System ROM loaded to memory
	18	Icache flush code written to memory
	19	CPU errors cleared; jump to system code
	20	ISA bus reset
	3F	Fatal error. Second code identifies source of error: 05 = No memory found 06 = Checksum error detected when image was read back from memory
AlphaBIOS	98	Firmware has control
	97	Buses initialized
	95	Video console opened
	51	FATAL - returned from boot menu selection
	50	FATAL - firmware fatal error
	42	Firmware drivers have been started
	00	Firmware has been initialized
Fail-safe booter	BF	Fail-safe booter startup

### 8.5 Fail-Safe Booter

The fail-safe booter provides an emergency recovery mechanism when the primary firmware image contained in flash memory has been corrupted. When flash memory has been corrupted, and no image can be loaded safely from the flash, you can run the fail-safe booter and boot another image from a diskette that is capable of reprogramming the flash.

#### Starting the Fail-Safe Booter

You can start the fail-safe booter in one of two ways:

- If the primary firmware image is unavailable when the system is powered on or reset, the fail-safe booter runs automatically. When the fail-safe booter runs, the system emits a series of beeps through the speaker as beep code 1-2-3; that is, one beep and a pause, followed by two beeps and a pause, followed by three beeps. After the diskette activity light flashes, insert the *AlphaPC 164LX AlphaBIOS Firmware* diskette. The fail-safe booter will load and run AlphaBIOS from this diskette. Proceed to Section 7.1.3 and follow the procedure for updating your flash ROM.

## Windows NT Startup

- You can also start the fail-safe booter manually as follows:
  1. Power off your system.
  2. Add jumper CF7 as described in Section 3.4.
  3. Power on your system.
  4. Insert the *AlphaPC 164LX AlphaBIOS Firmware* diskette into the diskette drive.
  5. Proceed to Section 7.1.3 and follow the procedures.

## 8.6 Windows NT Startup

While booting the Windows NT operating system, you may receive one of the following error messages:

- The required system file `DISPLAY_DRIVER.DLL` is bad or missing.
- The required system file `DISPLAY_DRIVER.SYS` is bad or missing.

These error messages indicate video driver problems. Use the following chart to solve common video driver problems.

<b>If the...</b>	<b>Then...</b>
Driver becomes disabled	Boot the Windows NT operating system with the last known good configuration.
Incorrect video driver is chosen while installing the Windows NT operating system	Reinstall the Windows NT operating system with the correct driver.
New video card was installed before the driver was installed	Reinstall the old video card, boot the Windows NT operating system, and install the driver for the new video card. Then install the new video card and reboot the Windows NT operating system.

---

## Battery Recycle/Disposal Information

### NOTICE

Recycle or dispose of batteries promptly in accordance with your organization's environmental policies. If this is a LITHIUM battery, the following additional precautions may apply:

- Replace batteries correctly to prevent possible explosion.
- Replace batteries with the same or equivalent type.
- Prior to disposal or recycling, protect all batteries against accidental short circuiting by affixing nonconductive tape across battery terminals or conductive surfaces.
- Keep batteries away from small children.

# A

## Supporting Products

This appendix lists sources for components and accessories that are not included with the AlphaPC 164LX.

### A.1 Memory

Dual inline memory modules (DIMMs) are available from the following sources:

Samsung Semiconductor Inc.  
3566 North First St.  
San Jose, CA 95134 USA  
Phone: 1-408-544-4322

**Table 1: Samsung DIMM Part Number List**

Density	Configuration	Part Number (# of Bank)	Notice
16MB	2M x 72	KMM374S203BTN (2 Bank) KMM374S203BTL (2 Bank)	New JEDEC Intel 1.0
32MB	4M x 72	KMM374S403BTN (2 Bank) KMM374S403BTL (2 Bank)	New JEDEC Intel 1.0
64MB	8M x 72	KMM374S803AT (2 Bank) KMM374S823AT (4 Bank) KMM374S823ATL (4 Bank)	New JEDEC New JEDEC Intel 1.0
128MB	16M x 72	KMM374S1600AT (2 Bank) KMM374S1623AT (4 Bank) KMM374S1623ATL (4 Bank)	New JEDEC New JEDEC Intel 1.0

## Thermal Products

### A.2 Thermal Products

Thermal Products Components included in this heat-sink and fan solution are heat sink, GRAFOIL pad, two hex nuts, heat-sink clips, 60-mm fan, and four screws. These are available from:

United Machine and Tool Design  
River Road  
Fremont, NH 03044  
Phone: 603-642-5040  
Fax: 603-642-5819  
PN 70-32810-02

### A.3 Power Supply

An ATX form-factor power supply, suitable for use with the AlphaPC 164LX (+3.3 V, +5 V, -5 V, +12 V, -12 V), is available from:

Emacs Electronics USA, Inc.  
1410 Gail Borden Place C-4  
El Paso, TX 79935  
Phone: 915-599-2688  
PN AP2-5300F (300 W)

Antec, Inc.  
2859 Bayview Drive  
Fremont, CA 94538  
Phone: 510-770-1200 x313  
PN PP-253V (250 W)

### A.4 Enclosure

An enclosure, suitable for housing the AlphaPC 164LX and its power supply, is available from:

Axxion Group Corporation  
7801 Trade Center Avenue  
El Paso, TX 79912  
Phone: 915-877-5288  
PN DL17

# B

## Associated Documentation

You can order the following associated documentation directly from the vendor.

Title	Vendor
Alpha AXP Architecture Reference Manual PN EY-T132E-DP	Call your local distributor or call Butterworth-Heinemann (Digital Press) at 1-800-366-2665
Alpha Architecture Handbook <sup>1</sup> PN EC-QD2KB-TE	See previous entry
Samsung 21164 Alpha Microprocessor Hardware Reference Manual KP164-HR1-0397	Samsung Electronics Ltd. San #24, Nongseo-ri, Kiheung-eup Yongin-city, Kyungki-do, Korea 449-900  Online, World Wide Web access at URL <b><a href="http://www.sec.samsung.com">http://www.sec.samsung.com</a></b>
Samsung 21164 Alpha Microprocessor Data Sheet KP164-DS1-0397	See previous entry
Digital Semiconductor 21174 Core Logic Chip Technical Reference Manual PN EC-R12GB-TE (Available Summer, 1997)	Digital Equipment Corporation Digital Semiconductor 77 Reed Road Hudson, MA 01749 USA  Online, World Wide Web access at URL: <b><a href="http://www.digital.com/semiconductor">http://www.digital.com/semiconductor</a></b>
PCI Local Bus Specification, Revision 2.1 PCI Multimedia Design Guide, Revision 1.0 PCI System Design Guide PCI-to-PCI Bridge Architecture Specification, Revision 1.0 PCI BIOS Specification, Revision 2.1	PCI Special Interest Group U.S. 1-800-433-5177 International 1-503-797-4207 Fax 1-503-234-6762



Title	Vendor
82420/82430 PCIset ISA and EISA Bridges (includes 82378IB/ZB SIO) (PN 290483)	Intel Corporation Literature Sales P.O. Box 7641 Mt. Prospect, IL 60056 Phone: 1-800-628-8686 FaxBACK Service: 1-800-628-2283 BBS: 1-916-356-3600
Super I/O Combination Controller (FDC37C935) Data Sheet	Standard Microsystems Corporation 80 Arkay Drive Hauppauge, NY 11788 Phone: 1-516-435-6000 Fax: 1-516-231-6004

<sup>1</sup> This handbook provides information subsequent to the *Alpha AXP Architecture Reference Manual*.