



## PRODUCT BRIEF

# AlphaPC 264DP Motherboard

### Description

The AlphaPC 264DP Motherboard, along with the Alpha 21264 microprocessor, provides a new solution for high-end workstations and enterprise-class servers. Supporting up to 2 processors, each starting at 500MHz with 2 or 4MB of Late Write Cache per processor, the AlphaPC 264DP provides today's most powerful Windows NT and Linux solution available in the server and workstation markets.

### Hardware Features

- AlphaPC 264DP supports up to Two Alpha 21264 microprocessor daughtercards, each containing:
  - A 2MB or 4MB, 128bit L2 Cache of Late-Write HSTL Synchronous Static RAM (SSRAM)
  - Processor speed starts at 500MHz
- Compaq 21272 Core Logic Chipset provides the interface to the CPUs, main memory and PCI buses at:
  - Up to 83MHz System Bus
  - Two 256bit Memory Bus
  - Two 64bit/33MHz PCI Bus
- 128MB to 4GB SDRAM Memory:
  - Four memory banks, each consisting of four 200pin DIMMs totaling 16 Slots
  - Supports 72bit ECC SDRAM
- PCI Bus Support (33MHz)
  - Six 64bit PCI Slots
  - 1 Shared ISA Slot
- Dual Channel Ultra-Wide SCSI 3 Controller
  - Integrated Adaptec AIC-7895
  - 2 connectors on-board
- PCI-to-ISA Bridge using a Cypress 82C693UB HyperCache chip
  - PCI IDE for two devices (PIO mode 4)
  - Keyboard/Mouse control and time-of-year clock
- Integrated ISA peripheral support:
  - SMC FDC37C665 combination controller chip provides diskette control (2.88MB), two serial port UARTs with modem control (550) and a parallel port.

### Operating Systems

- Windows NT (Version 4.0 or Later)
- Linux for Alpha (Available mid 1999)

### Documentation

- AlphaPC 264DP Motherboard Windows NT User's Manual

### Software Features

- Windows NT Alpha BIOS firmware, supports the installation of Windows NT operating system (Version 4.0 or later)

### Warranty

- One Year

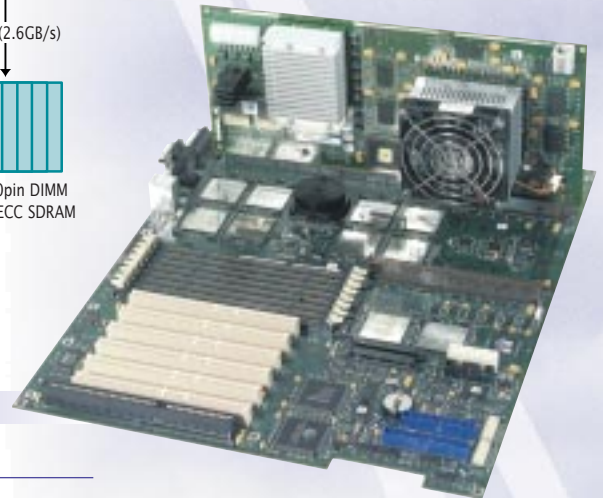
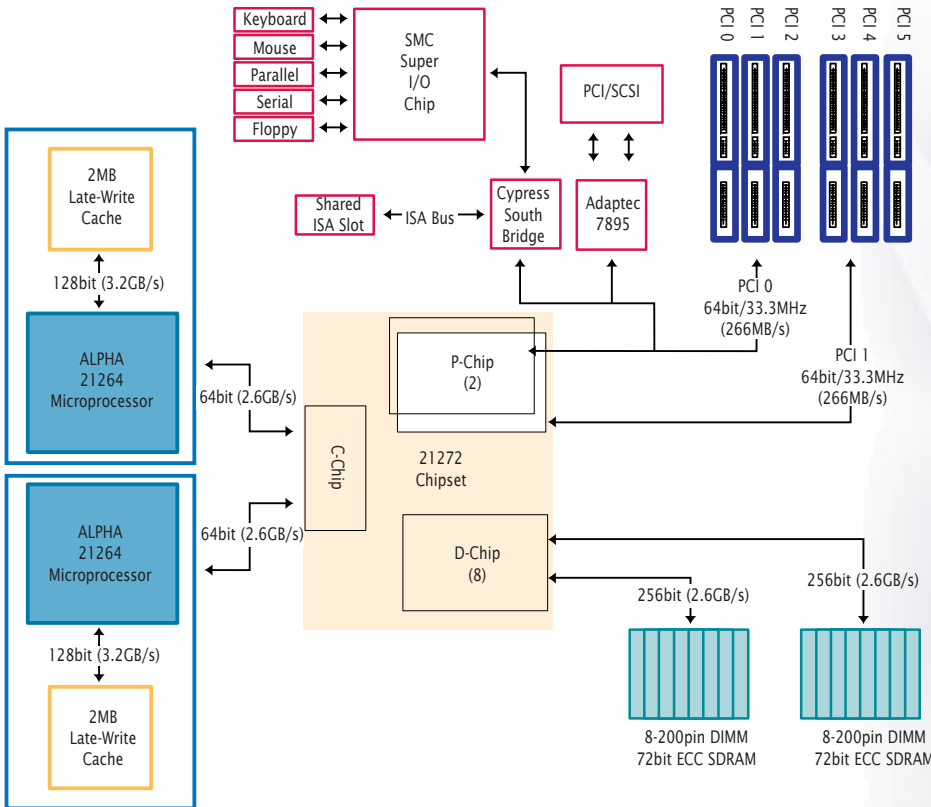
- AlphaPC 264DP Motherboard Technical Reference Manual

- Also supports Alpha SRM BIOS firmware for the installation of Digital UNIX



**For More Information**  
**Alpha Processor, Inc.**  
 A Samsung Company

130C Baker Avenue Extension  
 Concord, MA 01742  
 Tel: 1-978-318-1100  
 Fax: 1-978-371-3177  
 sales@alpha-processor.com  
 info@alpha-processor.com  
<http://www.alpha-processor.com>  
<http://www.intl.samsungsemi.com>



## CHARACTERISTICS

Power supply	630-Watt Minimum PC Power Supply
Operating Temperature	10° C to 35° C (50° F to 95° F)
Storage Temperature Range	-55° C to 125° C (-67° F to 257° F)
Dimensions	
Mainboard	42.11 cm x 33.02 cm (16.6 in x 13.0 in)
Daughtercard	30.48 cm x 14.99 cm (12.0 in x 5.9 in)

Product	Part Number
AlphaPC 264DP Motherboard and a Daughtercard with 500MHz CPU and 2MB L2 Cache	MB264DP2-500
AlphaPC 264 Daughtercard with 500MHz CPU and 2MB L2 Cache	264DC2-500
AlphaPC 264 Motherboard and a Daughtercard with 500MHz CPU and 4MB L2 Cache	MB264DP4-500
AlphaPC 264 Daughtercard with 500MHz CPU and 4MB L2 Cache	264DC4-500
Availability	February 1999

While Alpha Processor, Inc. believes the information in this publication is correct as of the date of publication, it is subject to change without notice. Digital/Compaq Corporation creates this publication and owns its copyright.

© Alpha Processor, Inc. 1999

All rights reserved.

Samsung is a trademark of Samsung Electronics Inc.

Digital UNIX is a trademark of Compaq Corp.

Linux is a registered trademark of Linus Torvalds.

Windows NT is a trademark of Microsoft Corporation.

All other trademarks and registered trademarks are the property of their respective owners.