



PCI Multiprotocol Adapter

User's Guide

OPTIONS
by IBM

Note: Before using this information and the product it supports, be sure to read the general information under Appendix C, “Notices” on page 3-7.

First Edition (July 1997)

The following paragraph does not apply to the United Kingdom or any country where such provisions are inconsistent with local law: INTERNATIONAL BUSINESS MACHINES CORPORATION PROVIDES THIS PUBLICATION “AS IS” WITHOUT WARRANTY OF ANY KIND, EITHER EXPRESS OR IMPLIED, INCLUDING, BUT NOT LIMITED TO, THE IMPLIED WARRANTIES OF MERCHANTABILITY OR FITNESS FOR A PARTICULAR PURPOSE. Some states do not allow disclaimer of express or implied warranties in certain transactions, therefore, this statement may not apply to you.

This publication could include technical inaccuracies or typographical errors. Changes are periodically made to the information herein; these changes will be incorporated in new editions of the publication. IBM may make improvements and/or changes in the product(s) and/or the program(s) described in this publication at any time.

It is possible that this publication may contain reference to, or information about, IBM products (machines and programs), programming, or services that are not announced in your country. Such references or information must not be construed to mean that IBM intends to announce such IBM products, programming, or services in your country.

Requests for technical information about IBM products should be made to your IBM reseller or IBM marketing representative.

© **Copyright International Business Machines Corporation 1997. All rights reserved.**

Note to U.S. Government Users — Documentation related to restricted rights — Use, duplication or disclosure is subject to restrictions set forth in GSA ADP Schedule Contract with IBM Corp.

Contents

Part 1 : Quick Installation Guide	1-1
--	-----

Part 2 :User's Guide	2-1
Introduction	2-2
Package Contents	2-2
Diagnostics	2-3

Part 3 :Appendixes	3-1
Appendix A. Help and Service Information	3-2
Step 1: Troubleshooting	3-2
Step 2: Preparing for the Call	3-2
Step 3: Placing the Call to IBM	3-3
Appendix B. Product Warranties	3-4
Appendix C. Notices	3-7
Electronic Emissions Notices	3-7
Trademarks	3-11

Part 1 : Quick Installation Guide

To install the IBM PCI Multiprotocol Adapter:

Important:

1. The illustrations in this publication might be slightly different from your hardware.
2. Contact your place of purchase if anything is missing or damaged.
3. For information on how to get help, technical support, and warranty service, see Appendix A, “Help and Service Information” on page 3-2. Be sure to retain your proof of purchase because it might be required to receive warranty service.

Before You Begin

Note: Your computer and operating system must be operational before you install the adapter and software. Communications software, not shipped with this product, is required to use this adapter.

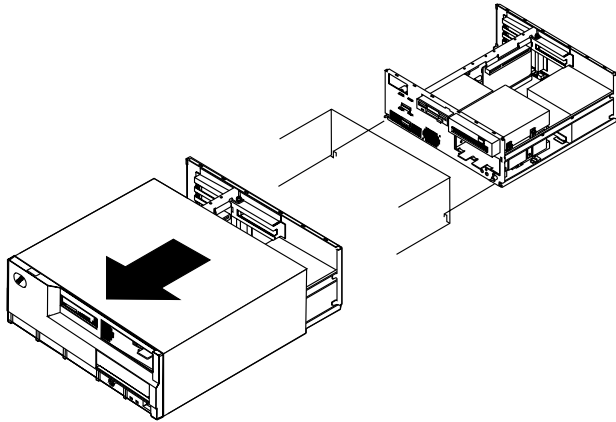
You need the following items to install the adapter:

- Installation instructions for your computer
- Installation instructions for your operating system
- Communications cable for connecting to external devices (ie. modems)
- Flat-blade screwdriver

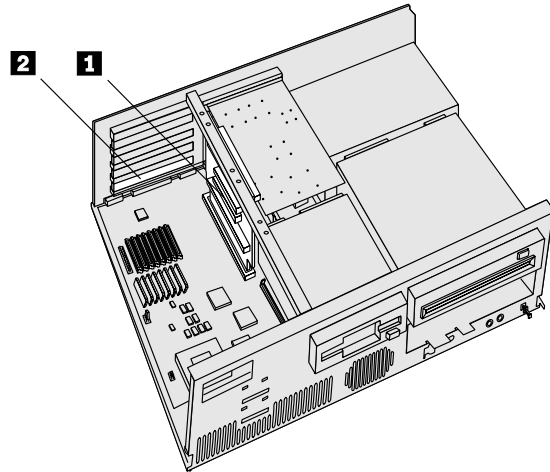
Installing the Adapter

To install the IBM PCI Multiprotocol Adapter:

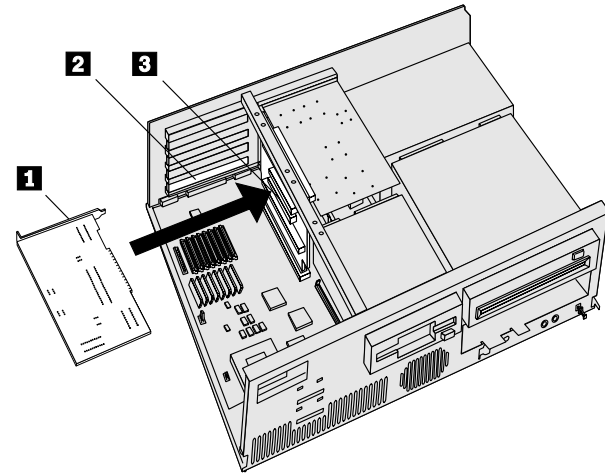
1. Turn off your computer and any devices connected to it. Unplug all power cords.
2. Remove the cover from the computer. Refer to your computer documentation, if necessary.



3. Choose an open PCI expansion slot **1**.
 - a. Refer to your computer documentation for information on identifying expansion slots.
 - b. Remove the expansion slot cover **2** by loosening the lock screw and sliding out the cover.



- c. Align the adapter **1** with the expansion slot opening **2** and push it firmly into the PCI expansion slot **3**. Tighten the lock screw.
- d. Install additional options, if any.
- e. Reinstall the computer cover.
- f. Reconnect the power cords.
- g. Connect one end of the communications cable to the adapter and the other end of the cable to the DCE equipment (ie, modem).
- h. The adapter should now be ready for use.



Installing the adapter in Windows95

1. Power on your computer, start Windows95
2. New Hardware Found dialog box will be on the screen. In the dialog box will be the words PCI Card.
3. Select the option for Driver from disk provided by hardware manufacturer.
4. Insert the diskette provided with the adapter into the diskette drive.
5. Click on OK

6. Install from Disk dialog box will be on the screen.
7. Click on OK
8. Select the application program (not included with this adapter) and follow the instructions for using the adapter.

Installing the adapter in Windows NT 4.0

1. Power on your computer, start Windows NT
2. Select the application program (not included with this adapter) and follow the instructions for using the adapter.

Part 2 :User's Guide

Introduction

The IBM PCI Multiprotocol Adapter bus machines provides for communications with other peer systems or with host systems such as the AS400 or S/390. After the adapter has been installed, its use is dependent on the application program (not shipped with this adapter) that is installed. Please see instructions for the specific application program that is being used. A maximum of 2 adapters can be installed per system.

Synchronous operation is supported up to 56KBPS and asynchronous operation is supported to a maximum of 115.2KBPS.

Package Contents

The adapter package includes several items. Make sure you have them all before trying to operate your modem. Your package should include:

- IBM PCI Multiprotocol Adapter
- A bootable diskette containing adapter diagnostics
- This IBM PCI Multiprotocol Adapter User's Guide
- The IBM Worldwide Safety Manual

If any of these items are missing, please contact your point of purchase.

You will also need a communications cable. The requirements for a cable vary, but the Synchronous/Asynchronous Communication Cable (IBM Part number 1502067) works well for most synchronous and asynchronous applications.

Diagnostics

A diskette containing diagnostics for use with the IBM PCI Multiprotocol Adapter is provided. In the event that a problem occurs with the adapter, the diagnostics can be used as a possible way to determine the source of the problem. To run the diagnostics:

- Power down the machine containing the IBM PCI Multiprotocol Adapter.

- Detach the cable from the IBM PCI Multiprotocol Adapter.
- Insert the diagnostic diskette in the diskette drive.
- Power on the machine.
- The diskette will boot up the machine. Follow the instructions as provided.

If two IBM PCI Multiprotocol Adapters are installed in the machine, both cables need to be removed.

Part 3 :Appendixes

Appendix A.

Help and Service Information

Before calling, please prepare for your call by following these steps.

Step 1: Troubleshooting

You might be able to solve the problem yourself. If you observe one of the following problems, one of the associated responses might fix the problem.

1. Remove and reattach all option cables including power cable.
2. Make sure the modem is powered on.
3. Reread any software instructions; be sure software settings are correct.
4. Inspect the option for damage.
5. Check the computer manual for installation instructions. Look for a section about system setup or system configuration. Follow all procedures.

6. Look on the IBM Web site for information on the adapter that may not have been available at the time when this document was published.
 - a. Free support is available through the IBM PC Company Automated FAX system, the PC Company Web Page, and the PC Company Electronic Bulletin Board System.
 - The IBM Web Site at “<http://www.pc.ibm.com>”
 - The IBM FAX System at 800-426-3395
 - The IBM BBS System at 919-517-0001

Step 2: Preparing for the Call

To assist the technical support representative, have available as much of the following information as possible:

1. Computer manufacturer and computer model
2. Option name: IBM PCI Multiprotocol Adapter
3. Proof of purchase
4. Exact wording of the error message (if any)
5. Description of the problem

6. Hardware and software configuration information for your system

If possible, be at your computer. Your technical support representative might want to walk you through the problem during the call.

Step 3: Placing the Call to IBM

Technical support is available during the warranty period to answer any questions about your new IBM option. Support response time will vary depending on the number and nature of calls received. Marketing, installation, and configuration support will be withdrawn from the PC Company HelpCenter 90 days after the option has been withdrawn from marketing.

If you call 90 days after the date of withdrawal or after your warranty has expired, you might be charged a fee.

For the support telephone number and support hours by country, refer to the following table or to the enclosed technical support insert. If the number is not provided in the table or insert, contact your IBM reseller or IBM marketing representative.

<i>Support 24 hours a day, 7 days a week</i>	
Canada	1-800-565-3344
Puerto Rico	1-800-772-2227
United States	1-800-772-2227

Appendix B.

Product Warranties

The following warranty information applies to products purchased in the United States, Canada, and Puerto Rico. For warranty terms and conditions for products purchased in other countries, see the enclosed Warranty insert, or contact your IBM reseller or IBM marketing representative.

International Business Machines
Corporation

Armonk, New York, 10504

Statement of Limited Warranty

The warranties provided by IBM in this Statement of Limited Warranty apply only to Machines you originally purchase for your use, and not for resale, from IBM or your reseller. The term "Machine" means an IBM machine, its features, conversions, upgrades, elements, or accessories, or any combination of them. Unless IBM specifies otherwise, the following warranties apply only in the country where you acquire the Machine. If you have any questions, contact IBM or your reseller.

Machine: IBM PCI Multiprotocol Adapter

Warranty Period*: One Year

**Contact your place of purchase for warranty service information.*

Production Status

Each Machine is manufactured from new parts, or new and used parts. In some cases, the Machine may not be new and may have been previously installed. Regardless of the Machine's production status, IBM's warranty terms apply.

The IBM Warranty for Machines

IBM warrants that each Machine 1) is free from defects in materials and workmanship and 2) conforms to IBM's Official Published Specifications. The warranty period for a Machine is a specified, fixed period commencing on its Date of Installation. The date on your receipt is the Date of Installation, unless IBM or your reseller informs you otherwise.

During the warranty period IBM or your reseller, if authorized by IBM, will provide warranty service under the type of service designated for the Machine and will manage and install engineering changes that apply to the Machine.

For IBM or your reseller to provide warranty service for a feature, conversion, or upgrade, IBM or your reseller may require that the Machine on which it is installed be 1) for certain Machines, the designated, serial-numbered Machine and 2) at an engineering-change level compatible

with the feature, conversion, or upgrade. Many of these transactions involve the removal of parts and their return to IBM. You represent that all removed parts are genuine and unaltered. A part that replaces a removed part will assume the warranty service status of the replaced part.

If a Machine does not function as warranted during the warranty period, IBM or your reseller will repair it or replace it with one that is at least functionally equivalent, without charge. The replacement may not be new, but will be in good working order. If IBM or your reseller is unable to repair or replace the Machine, you may return it to your place of purchase and your money will be refunded.

If you transfer a Machine to another user, warranty service is available to that user for the remainder of the warranty period. You should give your proof of purchase and this Statement to that user. However, for Machines which have a life-time warranty, this warranty is not transferable.

Warranty Service

To obtain warranty service for the Machine, you should contact your reseller or call IBM. In the United States, call IBM at **1-800-772-2227**. In Canada, call IBM at **1-800-565-3344**. You may be required to present proof of purchase.

IBM or your reseller will provide certain types of repair and exchange service, either at your location or at IBM's or your reseller's service center, to restore a Machine to good working order.

When a type of service involves the exchange of a Machine or part, the item IBM or your reseller replaces becomes its property and the replacement becomes yours. You represent that all removed items are genuine and unaltered. The replacement may not be new, but will be in good working order and at least functionally equivalent to the item replaced. The replacement assumes the warranty service status of the replaced item. Before IBM or your reseller exchanges a Machine or part, you agree to remove all features, parts, options, alterations, and attachments not under warranty service. You also agree to ensure that the Machine is free of any legal obligations or restrictions that prevent its exchange.

You agree to:

1. obtain authorization from the owner to have IBM or your reseller service a Machine that you do not own; and
2. where applicable, before service is provided —
 - a. follow the problem determination, problem analysis, and service request procedures that IBM or your reseller provide,
 - b. secure all programs, data, and funds contained in a Machine, and
 - c. inform IBM or your reseller of changes in a Machine's location.

IBM is responsible for loss of, or damage to, your Machine while it is 1) in IBM's possession or 2) in transit in those cases where IBM is responsible for the transportation charges.

Extent of Warranty

IBM does not warrant uninterrupted or error-free operation of a Machine.

The warranties may be voided by misuse, accident, modification, unsuitable physical or operating environment, improper maintenance by you, removal or alteration of Machine or parts identification labels, or failure caused by a product for which IBM is not responsible.

THESE WARRANTIES REPLACE ALL OTHER WARRANTIES OR CONDITIONS, EXPRESS OR IMPLIED, INCLUDING, BUT NOT LIMITED TO, THE IMPLIED WARRANTIES OR CONDITIONS OF MERCHANTABILITY AND FITNESS FOR A PARTICULAR PURPOSE. THESE WARRANTIES GIVE YOU SPECIFIC LEGAL RIGHTS AND YOU MAY ALSO HAVE OTHER RIGHTS WHICH VARY FROM JURISDICTION TO JURISDICTION. SOME JURISDICTIONS DO NOT ALLOW THE EXCLUSION OR LIMITATION OF EXPRESS OR IMPLIED WARRANTIES, SO THE ABOVE EXCLUSION OR LIMITATION MAY NOT APPLY TO YOU. IN THAT EVENT SUCH WARRANTIES ARE LIMITED IN DURATION TO THE WARRANTY PERIOD. NO WARRANTIES APPLY AFTER THAT PERIOD.

Limitation of Liability

Circumstances may arise where, because of a default on IBM's part or other liability you are entitled to recover damages from IBM. In each such

instance, regardless of the basis on which you are entitled to claim damages from IBM (including fundamental breach, negligence, misrepresentation, or other contract or tort claim), IBM is liable only for:

1. damages for bodily injury (including death) and damage to real property and tangible personal property; and
2. the amount of any other actual direct damages or loss, up to the greater of U.S. \$100,000 or the charges (if recurring, 12 months' charges apply) for the Machine that is the subject of the claim.

UNDER NO CIRCUMSTANCES IS IBM LIABLE FOR ANY OF THE FOLLOWING: 1) THIRD-PARTY CLAIMS AGAINST YOU FOR LOSSES OR DAMAGES (OTHER THAN THOSE UNDER THE FIRST ITEM LISTED ABOVE); 2) LOSS OF, OR DAMAGE TO, YOUR RECORDS OR DATA; OR 3) SPECIAL, INCIDENTAL, OR INDIRECT DAMAGES OR FOR ANY ECONOMIC CONSEQUENTIAL DAMAGES (INCLUDING LOST PROFITS OR SAVINGS), EVEN IF IBM OR YOUR RESELLER IS INFORMED OF THEIR POSSIBILITY. SOME JURISDICTIONS DO NOT ALLOW THE EXCLUSION OR LIMITATION OF INCIDENTAL OR CONSEQUENTIAL DAMAGES, SO THE ABOVE EXCLUSION OR LIMITATION MAY NOT APPLY TO YOU.

Appendix C.

Notices

References in this publication to IBM products, programs, or services do not imply that IBM intends to make these available in all countries in which IBM operates. Any reference to an IBM product, program, or service is not intended to state or imply that only that IBM product, program, or service may be used. Subject to IBM's valid intellectual property or other legally protectable rights, any functionally equivalent product, program, or service may be used instead of the IBM product, program, or service. The evaluation and verification of operation in conjunction with other products, except those expressly designated by IBM, are the responsibility of the user.

IBM may have patents or pending patent applications covering subject matter in this document. The furnishing of this document does not give you any license to these patents. You can send license inquiries, in writing, to:

IBM Director of Licensing

IBM Corporation
500 Columbus Avenue
Thornwood, NY 10594
U.S.A.

Electronic Emissions Notices

Federal Communications Commission (FCC) Statement

Note: This equipment has been tested and found to comply with the limits for a Class A digital device, pursuant to Part 15 of the FCC Rules. These limits are designed to provide reasonable protection against harmful interference when the equipment is operated in a commercial environment. This equipment generates, uses, and can radiate radio frequency energy and, if not installed and used in accordance with the instruction manual, may cause harmful interference to radio communications. Operation of this equipment in a residential area is likely to cause harmful interference, in which case the user will be required to correct the interference at his own expense.

IBM is not responsible for any radio or television interference caused by unauthorized changes or modifications to this equipment. Unauthorized changes or modifications could void the user's authority to operate the equipment.

This device complies with Part 15 of the FCC Rules. Operation is subject to the following two conditions: (1) this device may not cause harmful interference, and (2) this device must accept any interference received, including interference that may cause undesired operation.

Industry Canada Class A Emission Compliance Statement:

This Class A digital apparatus meets the requirements of the Canadian Interference-Causing Equipment Regulations.

Avis de conformité à la réglementation d'Industrie Canada:

Cet appareil numérique de la classe A respecte toutes les exigences du Règlement sur le matériel brouilleur du Canada.

Deutsche EMV-Direktive (electromagnetische Verträglichkeit)

Dieses Gerät ist berechtigt in Übereinstimmung mit dem deutschen EMVG vom 9.Nov.92 das EG-Konformitätszeichen zu führen.

Der Aussteller der Konformitätserklärung ist die IBM UK, Greenock.

Dieses Gerät erfüllt die Bedingungen der EN 55022 Klasse A. Für diese Klasse von Geräten gilt folgende Bestimmung nach dem EMVG:

Geräte dürfen an Orten, für die sie nicht ausreichend entstört sind, nur mit besonderer Genehmigung des Bundesministers für Post und Telekommunikation oder des Bundesamtes für Post und Telekommunikation betrieben werden. Die Genehmigung wird erteilt, wenn keine elektromagnetischen Störungen zu erwarten sind.

(Auszug aus dem EMVG vom 9.Nov.92, Para.3. Abs.4)

Hinweis: Dieses Genehmigungsverfahren ist von der Deutschen Bundespost noch nicht veröffentlicht worden.

European Union - EMC Directive

This product is in conformity with the protection requirements of EU Council Directive 89/336/EEC on the approximation of the laws of the Member States relating to electromagnetic compatibility.

IBM cannot accept responsibility for any failure to satisfy the protection requirements resulting from a non-recommended modification of the product, including the fitting of non-IBM option cards.

This product has been tested and found to comply with the limits for Class A Information Technology Equipment according to CISPR 22 / European Standard EN 55022. The limits for Class A equipment were derived for commercial and industrial environments to provide reasonable protection against interference with licensed communication equipment.

Warning: This is a Class A product. In a domestic environment this product may cause radio interference in which case the user may be required to take adequate measures.

Union Européenne - Directive Conformité électromagnétique

Ce produit est conforme aux exigences de protection de la Directive 89/336/EEC du Conseil de l'UE sur le rapprochement des lois des États membres en matière de compatibilité électromagnétique.

IBM ne peut accepter aucune responsabilité pour le manquement aux exigences de protection résultant d'une modification non recommandée du produit, y compris l'installation de cartes autres que les cartes IBM.

Ce produit a été testé et il satisfait les conditions de l'équipement informatique de Classe A en vertu de CISPR22 / Standard européen EN 55022. Les conditions pour l'équipement de Classe A ont été définies en fonction d'un contexte d'utilisation commercial et industriel afin de fournir une protection raisonnable contre l'interférence d'appareils de communication autorisés.

Avertissement : Ceci est un produit de Classe A. Dans un contexte résidentiel, ce produit peut causer une interférence radio exigeant que l'utilisateur prenne des mesures adéquates.

Unione Europea - Direttiva EMC (Conformidad electromagnética)

Este producto satisface los requisitos de protección del Consejo de la UE, Directiva 89/336/CEE en lo que a la legislación de los Estados Miembros sobre compatibilidad electromagnética se refiere.

IBM no puede aceptar responsabilidad alguna si este producto deja de satisfacer dichos requisitos de protección como resultado de una modificación no recomendada del producto, incluyendo el ajuste de tarjetas de opción que no sean IBM.

Este producto ha sido probado y satisface los límites para Equipos Informáticos Clase A de conformidad con el Estándar CISPR22 y el Estándar Europeo EN 55022. Los límites para los equipos de Clase A se han establecido para entornos comerciales e industriales a fin de proporcionar una protección razonable contra las interferencias con dispositivos de comunicación licenciados.

Advertencia: Este es un producto de Clase A. En un entorno doméstico este producto podría causar radiointerferencias en cuyo caso el usuario deberá tomar las medidas adecuadas.

Unione Europea - Normativa EMC

Questo prodotto è conforme alle normative di protezione ai sensi della Direttiva del Consiglio dell'Unione Europea 89/336/CEE sull'armonizzazione legislativa degli stati membri in materia di compatibilità elettromagnetica.

IBM non accetta responsabilità alcuna per la mancata conformità alle normative di protezione dovuta a modifiche non consigliate al prodotto, compresa l'installazione di schede e componenti di marca diversa da IBM.

Le prove effettuate sul presente prodotto hanno accertato che esso rientra nei limiti stabiliti per le apparecchiature di informatica Classe A ai sensi del CISPR 22 / Norma Europea EN 55022. I limiti delle apparecchiature della Classe A sono stati stabiliti al fine di fornire ragionevole protezione da interferenze mediante dispositivi di comunicazione in concessione in ambienti commerciali ed industriali.

Avvertimento: Questo è un prodotto appartenente alla Classe A. In ambiente domestico, tale prodotto può essere causa di interferenze radio, nel qual caso l'utente deve prendere misure adeguate.

Class 2 ITE

この装置は、第一種情報処理装置(商工業地域において使用されるべき情報処理装置)で商工業地域での電波障害防止を目的とした情報処理装置等電波障害自主規制協議会(VCCI)基準に適合しております。従って、住宅地域又はその隣接した地域で使用すると、ラジオ、テレビジョン受信機等に受信障害を与えることがあります。取扱説明書に従って正しい取り扱いをして下さい。

Trademarks

The following terms are trademarks of the IBM Corporation in the United States or other countries or both:

Help Center AS/400

HelpWare IBM

Microsoft Microsoft Corporation

Windows95 Microsoft Corporation

Windows NT 4.0 Microsoft Corporation



Part Number: 4304434

Printed in U.S.A.

4304434

