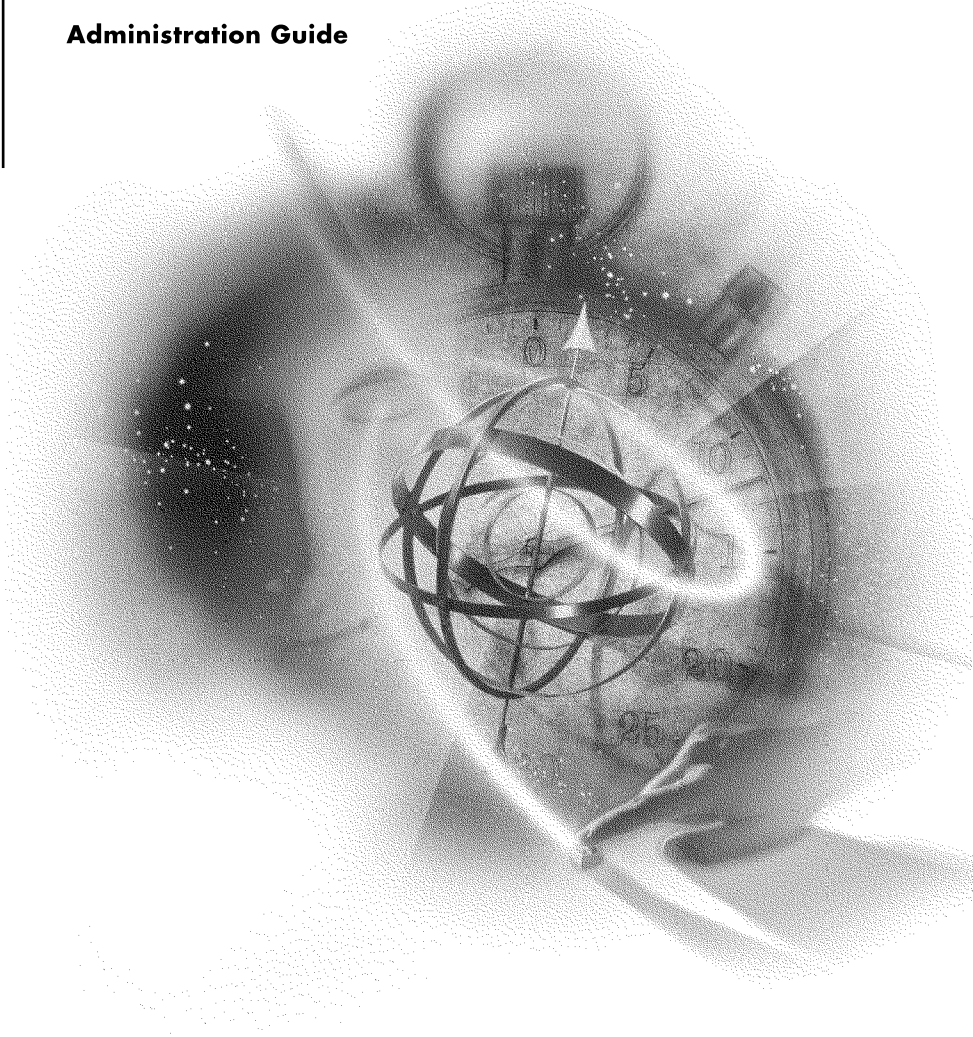

Traditional File Services

Administration Guide



NetWare[®] 5.1
NETWORKING SOFTWARE

Novell[®]

Legal Notices

Novell, Inc. makes no representations or warranties with respect to the contents or use of this documentation, and specifically disclaims any express or implied warranties of merchantability or fitness for any particular purpose. Further, Novell, Inc. reserves the right to revise this publication and to make changes to its content, at any time, without obligation to notify any person or entity of such revisions or changes.

Further, Novell, Inc. makes no representations or warranties with respect to any software, and specifically disclaims any express or implied warranties of merchantability or fitness for any particular purpose. Further, Novell, Inc. reserves the right to make changes to any and all parts of Novell software, at any time, without any obligation to notify any person or entity of such changes.

This product may require export authorization from the U.S. Department of Commerce prior to exporting from the U.S. or Canada.

Copyright © 1993-2000 Novell, Inc. All rights reserved. No part of this publication may be reproduced, photocopied, stored on a retrieval system, or transmitted without the express written consent of the publisher.

U.S. Patent Nos. 4,555,775; 5,157,663; 5,349,642; 5,455,932; 5,553,139; 5,553,143; 5,594,863; 5,608,903; 5,633,931; 5,652,854; 5,671,414; 5,677,851; 5,692,129; 5,758,069; 5,758,344; 5,761,499; 5,781,724; 5,781,733; 5,784,560; 5,787,439; 5,818,936; 5,828,882; 5,832,275; 5,832,483; 5,832,487; 5,859,978; 5,870,739; 5,873,079; 5,878,415; 5,884,304; 5,893,118; 5,903,650; 5,905,860; 5,913,025; 5,915,253; 5,925,108; 5,933,503; 5,933,826; 5,946,467; 5,956,718; 5,974,474. U.S. and Foreign Patents Pending.

Novell, Inc.
122 East 1700 South
Provo, UT 84606
U.S.A.

www.novell.com

Traditional File Services Administration Guide
January 2000
104-001231-001

Online Documentation: To access the online documentation for this and other Novell products, and to get updates, see www.novell.com/documentation.

Novell Trademarks

For a list of Novell trademarks, see the final appendix of this book.

Third-Party Trademarks

All third-party trademarks are the property of their respective owners.

Contents

	Overview of Traditional File System	9
1	Understanding	13
	Volume	13
	Understanding Mounting a Volume	14
	Volume Objects in NDS	15
	Understanding Volume Segments	16
	Directory	16
	Directory Path	17
	Fake Root.	17
	Directory Map Objects	18
	File	18
	File Compression	19
	Salvageable Files.	19
	File Purging.	20
	Drive mapping	20
	Local Drive Mappings.	21
	Network Drive Mappings	21
	Network Search Drive Mappings	21
	How NetWare Protects Network Data	22
	Security.	22
2	Planning	25
	Planning Directory Structures	25
	Directories Created During NetWare Installation	25
	Application Directories	26
	Data Directories	28
	Home or Username Directories.	28
3	Setting Up	31
	Setting Up Volumes	31
	Creating a Volume	32
	Mounting and Dismounting a Volume	33
	Storing Non-DOS Files on a Volume	34
	Mounting a CD as a Volume	36
	Creating a Directory	36
	Creating a Directory Map Object	37
	Prerequisites	37
	Procedure.	37

Mapping Drives	38
Mapping Drives in Windows 95	38
Mapping Drives in Windows NT	38
Mapping Drives in Windows 3.1x	38
Search Drives in OS/2	38
Mapping Drives in DOS	38
Distributing Applications on the Network	39
Security: Rights to Files and Directories.	41
Description of Directory and File Rights	41
Adding a Trustee to a Directory or File	42
Deleting a Trustee from a Directory or File	42
Modifying a Trustee's Rights to a Directory or File	43
Viewing/Modifying the Inherited Rights Filter for Directories and Files	44
Setting Directory or File Attributes.	44
Description of Directory and File Attributes	45
Changing Attributes of a Directory or File	47
Changing the Owner of a Directory or File.	47
4 Optimizing	49
Saving Disk Space with File Compression	49
Enabling File Compression	49
Disabling File Compression	50
Setting File Compression Attributes	50
Suspending File Compression.	52
Saving Disk Space With File Purging	52
Saving Disk Space with Block Suballocation	52
Enhancing Disk Response Time With Spanning	53
Optimizing File Caching	53
5 Managing	55
Managing Volumes	55
Changing Volume Size	55
Deleting a Volume	57
Renaming a Volume	57
Repairing a Volume	58
Viewing Volumes	61
Viewing Directory and File Information	61
Prerequisites.	61
Procedure	62
Copying or Moving Directories and Files	62
Salvaging and Purging Files.	62
Salvaging Deleted Files	63
Purging Files.	64
Protecting Data: Disk Mirroring and Duplexing	65

Using Directory Map Objects.	65
6 Troubleshooting	67
Resolving File I/O Errors	67
Resolving Volume I/O Errors.	67
Resolving Problems when Server Hangs after Mounting Last Volume	68
Resolving Problem when No Volumes Mount	68
Resolving Problems when Only Some Volumes Mount	69
Resolving Disk Error Problems when a Volume Is Mounting	69
Resolving Memory Errors when a Volume Is Mounting	70
Resolving Volume Mounting Problems Because of Corrupted Directory Entry Tables or File Allocation Tables 71	
Resolving Volume Mounting Problems Because of Name Space Module.	72
A Novell Trademarks.	75

Overview of Traditional File System

NetWare® 5™ provides the traditional NetWare file system components and utilities, such as NetWare partitions, NetWare volumes, and file management utilities.

NOTE: You can also use the new Novell® Storage Services™ (NSS) file system to meet your file system needs. NSS™ volumes can be used along with traditional NetWare volumes. For information on this new file system and its advantages, see [Novell Storage Services \(NSS\)](#).

The table at the end of this overview contains links to topics into which file system documentation is divided.

In that table, the column labeled Understanding presents entities into which the file system itself is divided. Explore the links in the Understanding column to find out about volumes, directories, and other aspects of the traditional NetWare® file system.

Then, to plan, set up, or otherwise take advantage of file system features, select the procedure you want to perform from one of the columns to the right of Understanding. For example, if you're setting up a NetWare directory structure, use the link under Understanding to find out about NetWare directories. Then, to find out how to create a directory or to view information about directories and files, look at the procedures in the Setting Up and Managing columns across from the directory link in the Understanding column.

Functionality pertaining to the NetWare file system continues to evolve. Consequently, there are sometimes a variety of ways in which a particular procedure can be performed. There are also various ways in which the file system itself can be viewed. NetWare clients, for example, provide access to file system features and functionalities that were once accessible only through NetWare utilities. Wherever possible, links have been provided in file system

documentation to let you explore the variety of ways in which you can complete a task.

Understanding	Planning	Setting Up	Optimizing	Managing
"Volume" on page 13		<p>"Creating a Volume" on page 32</p> <p>"Mounting and Dismounting a Volume" on page 33</p> <p>"Storing Non-DOS Files on a Volume" on page 34</p> <p>"Mounting a CD as a Volume" on page 36</p>	<p>"Saving Disk Space with Block Suballocation" on page 52</p> <p>"Enhancing Disk Response Time With Spanning" on page 53</p>	<p>"Changing Volume Size" on page 55</p> <p>"Deleting a Volume" on page 57</p> <p>"Renaming a Volume" on page 57</p> <p>"Repairing a Volume" on page 58</p> <p>"Viewing Volumes" on page 61</p>
"Directory" on page 16	"Planning Directory Structures" on page 25	<p>"Creating a Directory" on page 36</p> <p>"Creating a Directory Map Object" on page 37</p>		<p>"Viewing Directory and File Information" on page 61</p> <p>"Copying or Moving Directories and Files" on page 62</p> <p>"Using Directory Map Objects" on page 65</p>

Understanding	Planning	Setting Up	Optimizing	Managing
"File" on page 18		"Distributing Applications on the Network" on page 39	"Saving Disk Space with File Compression" on page 49 "Saving Disk Space With File Purging" on page 52 "Optimizing File Caching" on page 53	"Viewing Directory and File Information" on page 61 "Copying or Moving Directories and Files" on page 62 "Salvaging Deleted Files" on page 63
"Drive mapping" on page 20		"Mapping Drives" on page 38		
"How NetWare Protects Network Data" on page 22	"Planning Directory Structures" on page 25	"Security: Rights to Files and Directories" on page 41		"Protecting Data: Disk Mirroring and Duplexing" on page 65
"Security" on page 22		"Setting Directory or File Attributes" on page 44		

1

Understanding

The Understanding section of the file system documentation explains key aspects of the traditional NetWare[®] file system.

Information on volumes, directories, files, and other characteristics of the file system is presented to give you background needed for the set-up, managerial, and other procedures described elsewhere in file system documentation.

Volume

The volume is the highest level in the NetWare[®] file system. It is a logical entity that consists of a fixed amount of physical space on one or more hard disks. (A CD-ROM can also be mounted as a volume. See “Mounting a CD as a Volume” on page 36.)

A NetWare server is divided into one or more volumes. The first network volume is named `SYS:` and is created during NetWare installation. Using `NWCONFIG`, you can create a new volume on any hard disk that has a NetWare partition. A NetWare server supports up to 64 volumes. (See “Creating a Volume” on page 32.)

NOTE: NetWare also allows you to create Novell[®] Storage Services[™] (NSS) volumes along with traditional NetWare volumes. For information on this new file system and its advantages, see *Novell Storage Services (NSS)*.

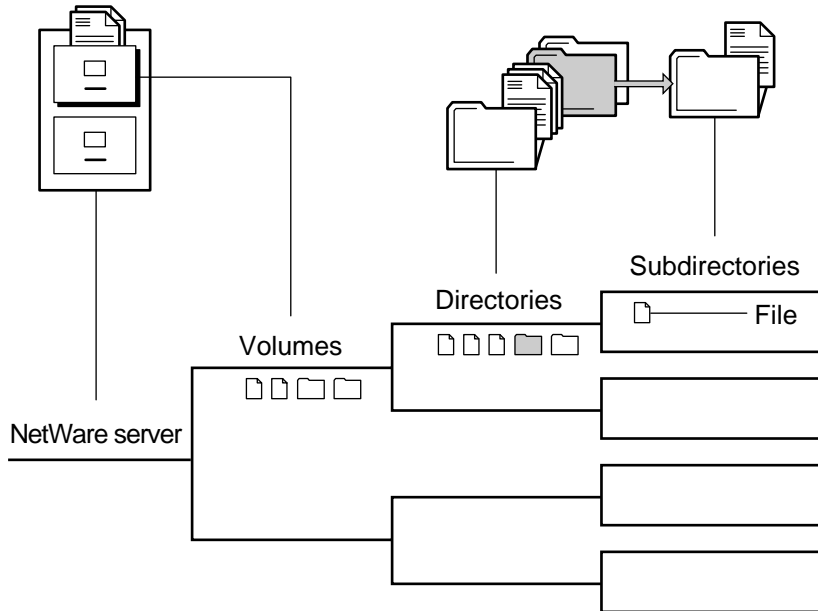
NetWare volumes are subdivided in two ways:

- ♦ **Physically** . Volumes are divided into volume segments; different segments of a volume can be stored on one or more hard disks. For information about volume segments, see “Understanding Volume Segments” on page 10.

- ♦ *Logically*. Volumes are divided into directories containing files or subdirectories by network supervisors and users who have the appropriate rights.

The file system is analogous to an office filing system, as illustrated in the following figure.

Figure 1 Volumes, Directories, and Files



Directories appear at the volume level. Storing files at this level is possible, but not recommended for security reasons because granting rights to files at the root of the volume would necessitate granting rights to the entire volume.

When a volume is used as part of a directory path, either in NetWare documentation or on the screen (for example, when running the MAP command), the volume name is followed by a colon (:), as in SYS:PUBLIC.

Understanding Mounting a Volume

When you boot the NetWare server, each volume is mounted, meaning that

- ♦ The volume becomes visible to the operating system

- ◆ The volume's FAT is loaded into memory

Each file block of data takes up one entry in the FAT.

Because of this, volumes with a smaller block size require more server memory to mount and manage.

However, if most of your files are small, a large block size wastes disk space.

- ◆ The volume's DET is loaded into memory

If a volume fails to mount, it might be because you have run out of RAM. This is because the FAT takes up cache buffers. (See "Mounting and Dismounting a Volume" on page 33.)

NOTE: The new file system, Novell Storage Services (NSS), mounts volumes more quickly and can mount any size volume with 1 MB of memory. NSS volumes can be used along with traditional NetWare volumes. For information about NSS and its advantages, see Novell Storage Services (NSS).

Volume Objects in NDS

In NDS[®], each volume is also a Volume object. Volume objects are leaf objects that represent a physical volume on the network.

When you create a volume with the NWCONFIG utility, NWCONFIG puts a Volume object in the same context as the NetWare server within the NDS tree. By default, NWCONFIG names the Volume object *servername_volumeobject*.

You can change the context of Volume objects with NetWare Administrator.

If you rename a volume, change the volume name on the server using the NWCONFIG utility, and change the volume object's name in the NDS using NetWare Administrator.

In the Volume object's properties, you can store information about which NetWare server the physical volume is located on and the volume name recorded when the volume was initialized at the server (for example, SYS:).

You can also store information such as the volume's owner, space use restrictions for users, or a description of its use.

You can also view statistical information on disk space availability, block size, directory entries, name space support, etc.

Understanding Volume Segments

A volume segment is a physical division of a volume. Different segments of a volume can be stored on one or more hard disks, allowing you to create large volumes.

A single NetWare partition can only contain eight traditional NetWare volumes. You can create up to four NetWare partitions per drive (three if the device also has a DOS partition). Each of these NetWare partitions can only contain eight volume segments.

By placing segments of the same volume on multiple hard disks, different parts of the same volume can be read from or written to simultaneously, speeding up disk input and output. (See “Enhancing Disk Response Time With Spanning” on page 53.)

However, when you spread segments of a volume over several disks, you should protect the volumes against disk failure by mirroring; otherwise, if a single disk fails, one or more entire volumes shut down. (See “Protecting Data: Disk Mirroring and Duplexing” on page 65.)

You can add segments to a volume (with NWCONFIG.NLM), but removing a segment from a volume destroys the entire volume. (See “Changing Volume Size” on page 55.)

A volume's size can be increased by adding another hard disk to the NetWare server, by setting up a NetWare partition on the disk, or by adding a new NetWare partition to the existing volume as one or more new volume segments.

Directory

A directory is a place within a volume where you can store files or other directories. Directories within directories are called *subdirectories*. A directory can contain any number of files and subdirectories. For a list of directory attributes, see “Description of Directory and File Attributes” on page 45.

This section contains the following topics:

- ◆ “Directory Path” on page 11
- ◆ “Fake Root” on page 11
- ◆ “Directory Map Objects” on page 12

Directory Path

A directory or file is located by its *path*, which states where the directory or file is on a volume. A path includes the volume, directory, and any subdirectories leading to the file. The following figure shows how to specify a path. (Listing the server is optional.)

Figure 2 Directory Path Conventions

NetWare server \ Volume : Directory \ (Sub)directory \ Filename

Separate volume and directory with a colon (:).
Separate all others with a slash (\).

If your network uses more than one client operating system, keep in mind the conventions of the different systems. For example, NetWare allows 255 characters in a directory path (counting the drive letter and delimiters), but DOS permits only 127 characters.

Also, some applications restrict the number of characters in the directory path. For more information, check the application's documentation.

Fake Root

A fake root is a subdirectory that functions as a root directory.

NOTE: Fake roots work with the NetWare DOS Requester, with NetWare shells, and clients including Windows* 3.x, Windows 95*, and Windows NT*. Fake roots do *not* work for OS/2* clients. (Under OS/2, all mapped drives are roots, and search drives don't exist.)

Some applications require their executable files to be located in a root directory. However, for security, you should not assign users rights at the root or volume directory level.

NetWare allows you to map a drive to a fake root. This allows you to place applications in a subdirectory and assign rights to them there.

Thus, to use an application that must be installed at the root, load the files in a subdirectory and designate it as a fake root directory in the login script using MAP ROOT.

For example, you might have an application in a FORM directory that must reside in the root directory of drive P:, but you don't want to put the application in the root directory for security reasons. You can map a fake root to the directory and map a search drive to it at the same time by adding the following line to the login script:

```
MAP ROOT S16:=P:= SYS:APPL\FORM
```

You can't use the DOS CD (change directory) command at the fake root to return to the original root. To change the fake root back to the original root, remap the drive.

Directory Map Objects

A Directory Map object represents a particular directory in a file system. Directory Map objects can point to directories that contain frequently-used files such as applications.

If you create a Directory Map object to point to an application, users can access the application by mapping a drive to the Directory Map object.

If the application's location in the directory structure changes, you can update the object instead of having to change all users' drive mappings.

For an example of how to use Directory Map Objects, see "Using Directory Map Objects" on page 65.

You can create a Directory Map object using NetWare Administrator. For instructions, see "Creating a Directory Map Object" on page 37.

NOTE: NetWare also provides the Application Launcher™ software to assist you in setting up and managing network applications through NDS — from a single administrative console, NetWare Administrator. Application Launcher, a component of Z.E.N.works™, improves ease of distribution, convenience of installation, and operational control for network applications.

Application Launcher lets you work with applications as objects in the NDS tree. This lets you distribute applications to users' Windows 3.x, 95, or NT workstations. For more information, see ZENworks Starter Pack.

File

This section contains the following topics:

- ◆ "File Compression" on page 13
- ◆ "Salvageable Files" on page 13

- ◆ “File Purging” on page 14

For a list of file attributes, see “Description of Directory and File Attributes” on page 45.

File Compression

Use the following information as background for using file compression to optimize system performance:

- ◆ NetWare maintains the original version of a file during compression. When compression completes, NetWare replaces the original with the compressed version of the file, provided no errors occurred. If errors do occur during compression, NetWare leaves the original version intact.
- ◆ If you have a CD-ROM volume mounted as a volume, treat it as a read-only volume. Do not use file compression on it.
- ◆ Compression is a usually a low priority process thread because of compression's impact on performance. If you flag an item for immediate compression during peak system usage, performance may deteriorate. (See FLAG.)
- ◆ You do not need to separate application files from data files to be compressed. The SET command can be used to preclude compression of frequently used applications. (See SET.)
- ◆ Monitor compression activity via the SET command's compress screen parameter. (see SET.)
- ◆ Backup applications that use Novell's Storage Management Services™ (SMS) back up and restore compressed files as such. Other applications may decompress them.

Salvageable Files

Salvageable files are files saved by NetWare, after being deleted by users, that can be salvaged (recovered).

Salvageable files are usually stored in the directory from which they were deleted. If a user deletes that directory, the salvageable files are saved in a DELETED.SAV directory located in the volume's root directory.

The user can view a list of deleted files in a directory and recover files by using NetWare Administrator. (See “Salvaging Deleted Files” on page 63 for instructions, or see the help in NetWare Administrator.) Recovered files contain information about who deleted the files and when they were deleted.

Deleted files are saved until the user deliberately purges them or until the NetWare server runs out of disk allocation blocks on the volume.

File Purging

When the NetWare server runs out of blocks, it purges deleted files beginning with the files that were the first deleted. Purged files cannot be salvaged.

Files and directories can also be purged as they are deleted. You can do this one of two ways:

- ◆ Use the SET command (see SET) at the NetWare server to disable the salvageable file feature. You do this by setting the parameter named Immediate Purge of Deleted Files to ON. This increases performance, but at the cost of losing the salvageable file feature. The default for this parameter is OFF (this means that by default, files are salvaged when they are deleted instead of being purged immediately).
- ◆ Set the Purge attribute for individual files and directories. When a file is flagged with the Purge attribute, the file is purged when it is deleted.

When a directory is flagged with the Purge attribute, all files in that directory are purged when the directory is deleted. Such files and directories can't be recovered.

- ◆ Use NetWare Administrator or PURGE to manually purge individual files and directories. (See "Purging Files" on page 64 for instructions, or see NetWare Administrator or PURGE for a general description of those utilities.)

Drive mapping

A drive mapping is a pointer to a location in the file system, represented as a letter assigned to a directory path on a volume.

A *path* includes the volume, directory, and any subdirectories leading to the file.

A drive mapping assigns a letter to a path so that the letter can be used instead of the complete path name.

Drive mappings can be temporary or permanent:

- ◆ *Permanent mappings.* To make drive mappings permanent so you can use them every time you log in, place MAP commands in your login

script, or use the mapping functionality of your client software to make them permanent, so they will be reconnected every time you log in.

- ◆ *Temporary mappings.* To map a drive so you can use it during your current session, use the NetWare MAP utility from a DOS prompt, or use the mapping functionality of your client software. If you use MAP from a DOS prompt, the mapping is only valid until you log out.

For instructions on creating mappings, see “Mapping Drives” on page 38.

NetWare recognizes these types of drive mappings:

- ◆ “Local Drive Mappings” on page 15
- ◆ “Network Drive Mappings” on page 15
- ◆ “Network Search Drive Mappings” on page 15
- ◆ “Fake Root” on page 11
- ◆ “Directory Map Objects” on page 12

Local Drive Mappings

Local drive mappings are paths to local media such as hard disk drives and floppy disk drives.

To change this default (for example, if you are using the NetWare DOS Requester, you need all of your drives mapped as DOS drives), use the DOS LASTDRIVE command in your workstation CONFIG.SYS file.

Network Drive Mappings

Network drive mappings point to volumes and directories on the network. Normally, drives F: through Z: are used for network mappings. Each user can map drive letters to different directories.

To create a network drive mapping, use the MAP command (see MAP).

Network Search Drive Mappings

Network search drive mappings point to directories containing files such as applications or files.

Search drive mappings enable the system to locate a program even if it isn't located in the directory you're working in.

Search drive mappings are numbered, although they also have drive letters. For example, search drive 1 (or S1) may also be known as network drive Z:.

You can map up to 16 network search drives (letters K: through Z:, starting with Z:). You can't map a search drive and a regular network drive to the same letter.

When you request a file and the system can't find it in your current directory, the system looks in every directory a search drive is mapped to.

The system searches, following the numerical order of the search drives, until either the program file is found or can't be located.

NOTE: Search drive mappings aren't supported on OS/2 workstations. The search functionality is provided with the OS/2 PATH, LIBPATH, and DPATH commands.

How NetWare Protects Network Data

NetWare protects data primarily by

- ♦ Maintaining duplicate file directories (see *NetWare Server Security*)
- ♦ Redirecting data from bad blocks to reliable blocks on the NetWare server's hard disk (see *Redirecting Bad Blocks*)
- ♦ Allowing you to mirror and duplex disks (see "Protecting Data: Disk Mirroring and Duplexing" on page 65)

Security

Security is one of the most important aspects of file system organization. NDS rights and the file system's directory and file attributes allow you to determine who may access what, and whether that access amounts to being able to merely read a file or modify it.

A technical discussion of the security features of the file system appears in the help for NetWare Administrator.

To more fully utilize the capabilities described in the NDS area of this documentation, you may wish to organize your approach to designing an appropriately secure system by

1. Clustering directories and files according to who needs access to them. In other words, use the directory structure to reflect access requirements.

For example, you can structure the hierarchy of directories in such a way as to take advantage of the inheritance aspect of rights.

Rights can be associated with volumes, directories, and files as a safeguard against deletion or modification by users (see “Description of Directory and File Rights” on page 41). Directory and file attributes can also be used to control what users can do (see “Description of Directory and File Attributes” on page 45).

2. Subdividing the user community into groups on the basis of related access requirements.

Users grouped by role (relative to file access) can be assigned ownership of directories and files, and users whose roles vary can be assigned rights on the basis of equivalence.

Users needing a particular kind of access to certain directories and files can be grouped so that appropriate access belongs to the group (and, consequently, to each member).

2

Planning

The single heading under Planning presents a simple example of a network directory structure. Based on the example and the accompanying information, you can begin to design a directory hierarchy suitable to your own needs.

NOTE: You can also use the new Novell® Storage Services™ (NSS) file system to meet your file system needs. NSS™ volumes can be used along with traditional NetWare® volumes. For information on this new file system and its advantages, see Novell Storage Services (NSS).

Planning Directory Structures

This section gives some basic information and suggestions about organizing directories and files to facilitate network administration:

- ♦ “Directories Created During NetWare Installation” on page 25
- ♦ “Application Directories” on page 26
- ♦ “Data Directories” on page 28
- ♦ “Home or Username Directories” on page 28

Directories Created During NetWare Installation

During installation, the following directories pertaining to the file system are automatically created.

- ♦ **SYS:DELETED.SAV** contains files that have been deleted from deleted directories. Salvageable files are usually stored in the directory from which they were deleted. If a directory is deleted, the salvageable files from the deleted directory are moved to the deleted.sav directory. Deleted files can be salvaged if they have not yet been purged.
- ♦ **SYS:ETC** contains sample files to help you configure the server.

- ♦ **SYS:LOGIN** contains the programs necessary for users to log in to the network, such as LOGIN.EXE. An NLS subdirectory contains subdirectories for login message files for each supported language.
- ♦ **SYS:MAIL** may or may not contain subdirectories or files. If you upgrade your server from a previous version of the NetWare[®] operating system, existing users may still have directories here for their login scripts, but their login scripts will become properties of the new User objects. If you create new users after upgrading, the new users won't have directories in SYS:MAIL
- ♦ **SYS:SYSTEM** contains NetWare operating system files as well as NetWare utilities and programs for the network administrator. SYS:SYSTEM also has an NLS subdirectory, containing subdirectories for each supported language for message files.
- ♦ **SYS:PUBLIC** allows general access to the network and contains NetWare utilities and programs for network users. SYS:PUBLIC has subdirectories for Windows 95 and Windows NT, as well as a subdirectory called NLS, containing the message files for utilities.

Application Directories

For ease of management, you should keep application files in a directory apart from the data files. Since the application programs don't normally change, you can keep one set of application files on backup media and skip the application directories when you do network backups.

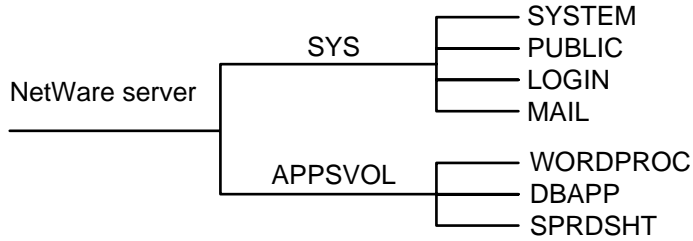
When creating application directories, you should also consider issues related to ease of distribution, installation, and operational control for network applications. NetWare provides the Application Launcher[™], a component of Z.E.N.works[™], to assist you in setting up and managing network applications through NDS[®] from a single administrative console. (For more information, see ZENworks Starter Pack.)

Although applications can be accessed from local drives, installing them on the network provides convenient access. Several structures are possible for application directories:

- ♦ Create a separate volume for applications, with a separate directory for each application off the root. Make trustee assignments for each application (see "Setting Directory or File Attributes" on page 44). Then go into the system or profile login script and map a search drive to each application.

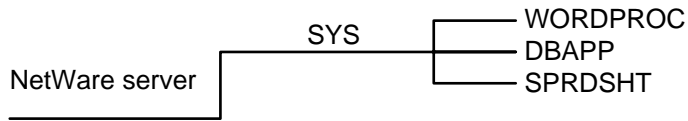
The following figure shows this type of directory structure:

Figure 3 Application Volume



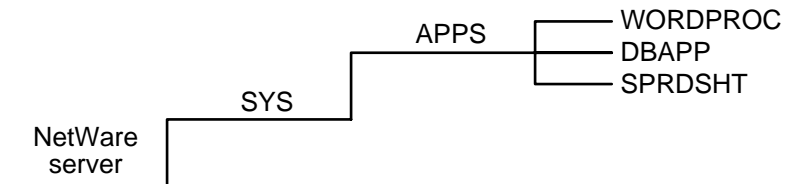
- ◆ Create a separate directory off volume SYS: for each application. Make trustee assignments for each application. Then go into the system or profile login script and map a search drive to each application. The following figure shows this type of directory structure.

Figure 4 Application Directory off Volume SYS:



- ◆ Create a parent directory for applications, with subdirectories for each application. Make trustee assignments for each application. Then go into the system or profile login script and map a search drive to each application. The following figure shows this type of directory structure.

Figure 5 Parent Directory for Applications

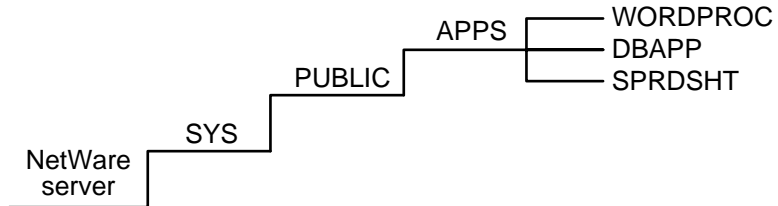


- ◆ Create a parent directory for applications in SYS:PUBLIC. Because users generally have Read and File Scan rights in SYS:PUBLIC, you don't need to make trustee assignments or map a search drive.

However, users can see and use all applications. Use this directory structure only if you want all users to have access to all applications.

The following figure shows this type of directory structure.

Figure 6 Application Directory in SYS:PUBLIC



Installing applications in SYS:PUBLIC isn't recommended (unless a subdirectory is created for each application).

Upgrading a network is made more complicated by mixing NetWare utilities with application program files.

An application file might have the same filename as a NetWare utility file or another application's program file. If so, one file overwrites the other because two files with the same filename can't coexist in a directory.

NOTE: Some applications write files to the root. For security reasons you don't want users working at the root level. Therefore, use MAP ROOT to map a drive to a fake root—a directory or subdirectory in which the user can be assigned rights (see "Fake Root" on page 17).

Data Directories

These are work directories for groups and users to keep work files in. You can also create a directory to transfer files between directories on the network.

Although data can be created and stored in a home or user directory, when data is stored in a user's directory, no other user (except network administrators or managers assigned file rights) can access it.

So, to allow users to share data, create work directories and make trustee assignments for groups or users who need access to these directories.

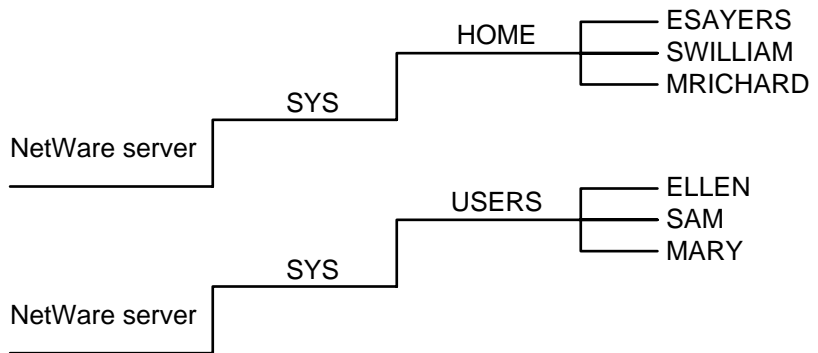
Home or Username Directories

To provide personal workspace for users, create home or username directories.

You can create a parent directory in volume SYS: called HOME or USERS. Or, you can create a separate HOME or USERS volume. Then you can create a subdirectory for each user.

The name of each subdirectory should be the username. Usernames can be up to 47 characters, but DOS displays only 8 characters in a one-level directory name. The following figure shows this type of directory structure.

Figure 7 Home or Username Directories



3

Setting Up

Setting Up is the most extensive of the sections pertaining to the traditional NetWare[®] file system. Procedures in this section of the documentation focus on specific tasks pertaining primarily to system administration. Procedures involve various utilities and applications that are described in more general terms elsewhere. For example, creating a volume involves NWCONFIG. While NWCONFIG is described in the reference documentation for utilities, the procedure in this file system documentation focuses on using NWCONFIG to accomplish a particular task.

The most productive use of file system documentation is to identify the task you want to complete and find an appropriate procedure. Then use links associated with the procedure to increase your understanding of other ways in which applications and utilities can be used.

Procedures in Setting Up focus primarily on volumes, directories, files, drives, and security. System administrators are concerned with all of these aspects of the file system. Users will be concerned primarily with drive mapping and some of the file and directory procedures.

Setting Up Volumes

This section contains the following topics:

- ◆ “Creating a Volume” on page 32
- ◆ “Mounting and Dismounting a Volume” on page 33
- ◆ “Storing Non-DOS Files on a Volume” on page 34

Creating a Volume

Use NWCONFIG to create a volume on any hard drive having a NetWare partition. (See NWCONFIG for a general description of the command.)

A NetWare server can have up to 64 NetWare volumes. Only a SYS: volume is required.

NOTE: NetWare also allows you to create Novell® Storage Services™ (NSS) volumes, which can be used along with traditional NetWare volumes. For information on this new file system and its advantages, see Novell Storage Services (NSS).

By default, creating a volume consumes all free space in the NetWare partition, unless you assign the new volume a size. By specifying a size, you can leave free space available for future volumes. If space is unavailable, you must add a drive or a magnetic/optical storage medium before attempting volume creation.

Prerequisites

- A NetWare partition with free space on the disk where you want to create the volume (for information about partitions, see Partitioning Disks for concepts and Creating NetWare Partitions for instructions)
- An existing volume SYS:
- Supervisor rights

Procedure

- 1** At the server console prompt, type
`NWCONFIG`
- 2** From the Installation Options menu, choose Disk Options and then NetWare Volume Options.
Existing volumes are listed.
- 3** Press Insert.
The Volume Disk Segment List appears.
- 4** Select any existing free space and press Enter.
- 5** Select Make This Segment a New Volume.
- 6** Type a new volume name in the box provided and press Enter.

The volume name can be up to 15 characters long (A through Z, 0 through 9, and underscore characters are allowed).

7 Press Enter.

The newly created volume now appears in the Volume Disk Segment List.

8 Enter a new volume size, expressed in megabytes (MB), and press Enter.

9 Press Esc or F10 to return to the volume segment list.

10 Press Esc or F10 to save changes.

11 Press Esc to save the volume settings.

12 Authenticate to the network with Supervisor rights to add the volume to the tree.

13 Select Mount All Volumes to mount the new volume.

Mounting and Dismounting a Volume

By mounting a volume, you make its information available to network users. You can mount or dismount one or all volumes while the NetWare server is running. For a description of what takes place when you mount a volume, see “Understanding Mounting a Volume” on page 14.

You may want to leave rarely used volumes dismounted because each mounted volume takes up memory and reduces the memory available for file caching.

For instructions for CDs, see “Mounting a CD as a Volume” on page 36.

You can mount and dismount volumes in two ways:

- ♦ Using the MOUNT (see MOUNT) and DISMOUNT (see DISMOUNT) console commands.
- ♦ Using NWCONFIG as described in the following procedure. (See NWCONFIG for a general description of the command.)

1 At the server console prompt, type

```
NWCONFIG
```

2 Select Disk options.

3 Select NetWare Volume Options.

4 Select the volume you want to mount or dismount and press Enter.

The Volume Information screen appears.

- 5 Using the arrow keys, highlight the Status field.
Depending on the status of the volume, this field displays Mounted, Not Mounted, or New, not mounted.
- 6 (Conditional) If the status is New, not mounted, press Esc and then F10 to save volume changes to disk before the volume can be mounted.
- 7 Press Enter to display a menu of available actions.
- 8 Depending on what you want to do, select either Mount or Dismount and press Enter.

NetWare mounts or dismounts your volume.

NOTE: If a volume fails to mount, you may not have enough RAM installed to accommodate the volume, especially if you add name space support to the volume. See “Storing Non-DOS Files on a Volume” on page 34.

Storing Non-DOS Files on a Volume

By default, NetWare volumes support DOS naming conventions. To store non-DOS files (such as for Macintosh* or UNIX* files) on a NetWare volume, you must load the appropriate name space NetWare Loadable Module™ (NLM) program and add the name space support to that volume.

NOTE: Each name space added to a traditional NetWare volume requires additional server memory. If you add name space support to a volume and do not have enough memory, that volume cannot be mounted.

If insufficient memory is an issue, consider using Novell Storage Services (NSS) volumes, since NSS uses only 1 MB of memory to mount any size volume no matter how many name spaces the volume supports. See Novell Storage Services (NSS).

This section contains the following topics:

- ◆ “Calculating Memory Required for Name Space Support” on page 35
- ◆ “Adding a Name Space” on page 35
- ◆ “Removing Name Space Support” on page 36

The following name space NLM programs are included with NetWare:

- ◆ MAC.NAM (Macintosh).
- ◆ LONG.NAM (OS/2, Windows 95, Windows NT). NWCONFIG now adds the long name space, by default, to volumes created. (See NWCONFIG.)
- ◆ NFS.NAM (NFS).

In addition, an FTAM name space module is available from third-party providers.

Calculating Memory Required for Name Space Support

If you are using traditional NetWare volumes, use the following formula to calculate the additional memory required for each added name space on a non-DOS volume:

$$0.032 \times \text{volume_size(in MB)} / \text{block_size(in MB)}$$

Round the result to the next highest megabyte.

For example, adding Macintosh name space to a 100 MB volume with a block size of 4 KB would require 1 MB of additional memory, as shown:

$$0.032 \times 100 \text{ MB} / 4 = 0.8 \text{ MB}$$

Adding a Name Space

Prerequisites

- A mounted volume
- Sufficient memory

Procedure

- 1** Load the appropriate name space NLM™ by typing

```
LOAD [path] name_space
```

For example, to load the name space module for Macintosh support, type

```
LOAD MAC.NAM
```

- 2** Add name space support to the volume by typing

```
ADD NAME SPACE name to volume_name
```

Replace *name* with the name space NLM. Replace *volume_name* with the name of the volume that will store the non-DOS files.

For example, to add the Macintosh name space to the MACVOL volume, type

```
ADD NAME SPACE MAC TO MACVOL
```

NOTE: You only need to add a name space to a volume once. You don't need to add it each time the server comes up. The name space module autoloads each time the server comes up.

To verify that the name space has been added, you can view a list of all added name spaces by typing

VOLUMES

- 3** To see a list of current volumes and name spaces, type

VOLUME

Removing Name Space Support

Once a name space is added to a volume, the name space can be removed either by deleting the volume and re-creating it or by using VREPAIR (see VREPAIR).

Mounting a CD as a Volume

The CDROM.NLM utility lets the NetWare server use a CD-ROM disc as a volume.

In NetWare 5, mounting CD-ROMs is done automatically when the CD-ROM NLM is loaded. The CD-ROMs are mounted as Read-Only NSS volumes. See CDROM for a general description of the utility and a listing of what is supported.

WARNING: Treat the CD-ROM as a read-only volume. Do not enable block suballocation or use file compression on the volume.

Creating a Directory

Create directories in NetWare Administrator or in your desktop application.

To create a directory, you must have the Create right for the directory to which the new directory will be added.

Creating a root directory requires that you select the volume object instead of selecting a parent directory.

For some ideas for directory structures, see “Planning Directory Structures” on page 25.

Creating a Directory Map Object

A Directory Map object represents a particular directory in a file system. Directory Map objects can point to directories that contain frequently used files such as applications.

If you create a Directory Map object to point to an application, users can access the application by mapping a drive to the Directory Map object.

You can create a Directory Map object using NetWare Administrator. For an example of how you could use Directory Map objects to reduce maintenance of login scripts, see “Using Directory Map Objects” on page 65.

Prerequisites

- The Create object right to the container where the Directory Map object will be created

Procedure

- 1** In NetWare Administrator, select the Organization or Organizational Unit object where you want to create the Directory Map object.

For information about moving around in the browser and selecting objects, choose Help from the menu bar.

- 2** Choose Create from the Object menu.
- 3** Choose Directory Map from the New Object dialog box.
- 4** Choose OK.
- 5** Enter the name for the Directory Map object in the space provided.
- 6** In the Volume field, enter the name of the volume this Directory Map object will point to.

You can type in the complete name of the Volume object, or you can choose the browser button to the right of the Volume field to browse for the Volume and directory path.

- 7** If you did not use the browse button, enter the path of the directory this Directory Map object will point to.
If the Directory Map object will point to the root of the specified volume, leave the Path field blank.
- 8** (Optional) To define additional properties immediately after creating the Directory Map object, choose Define Additional Properties.

- 9** (Optional) To create another Directory Map object immediately after this one, choose Create Another Directory Map.
- 10** Choose Create.
The Directory Map object is created
If you chose Create Another Directory Map, the Create dialog appears.
If you chose Define Additional Properties, the identification screen appears.

Mapping Drives

Mapping Drives in Windows 95

See Common Networking Tasks in *Novell Client for Windows 95*.

Mapping Drives in Windows NT

See Connecting to Network Drives in *Novell Client for Windows NT*.

Mapping Drives in Windows 3.1x

See Mapping a Network Drive in *Novell Client for DOS and Windows 3.1x*.

Search Drives in OS/2

OS/2 workstations do not use search drives. OS/2 PATH, DPATH, and LIBPATH settings in CONFIG.SYS are used instead.

Mapping Drives in DOS

Use the MAP command to map drives to network directories. (See MAP for a general description of the command.)

Use the MAP command to map search drives. Search drive mappings enable the system to locate a program even if it isn't located in the directory the user is working in.

A maximum of 16 NetWare search drives is allowed. You can't map a search drive and a regular network drive to the same letter.

When you map a search drive, use a search drive number (an S followed by a number). This search drive number assigns the next available drive letter to

the mapping, starting with Z and working backwards through the English alphabet.

The letter assigned to the search drive is put into the DOS path statement. If you already have search drives in the path statement, the command `MAP S1:` overwrites the first one in the path. To prevent search drive assignments from overwriting existing DOS PATH letters, use the `INSERT` option when assigning search drives. For example:

```
MAP INS S16:=path
```

To ensure that users can access NetWare utilities and applications, you should consider mapping search drives so that the first search drive (S1:) maps to the `SYS:PUBLIC` directory, which contains the NetWare utilities for DOS and MS Windows workstations.

The order in which mappings are listed is important because the order of items in the list is the order in which the directories are searched. The system searches, following the numerical order of the search drives, until the program file either is found or can't be located. The list can include a combination of local and network directories.

To avoid inadvertently changing the order of any search drives that must be mapped to a specific drive letter, you can map all remaining search drives with the number `S16:`, which assigns the next lowest search number available each time it is used.

If you have an application that requires a particular drive letter, you can use the following command to map the search drive, replacing *drive* with the drive letter:

```
MAP S16:=drive:=path
```

If you map a search drive using a number already assigned to a search drive, NetWare makes the old search drive a network drive. The letter assigned to the old search drive remains assigned as the converted drive mapping. The new search drive takes the next unused letter in the alphabet.

Distributing Applications on the Network

You can install various types of network applications, such as word processing or spreadsheet programs, to make them available to users. When installing applications, keep the following in mind:

- ◆ You need the Create right in the directory where you will be installing the application.
- ◆ Follow the instructions in the application's documentation for installing the application onto a network.
- ◆ Make sure the application is designed for network (multiuser) use, and that you observe any licensing restrictions on the number of users who can access the application.
- ◆ To allow users to access network-based applications, map search drives to the directories that contain these applications. To make these search drives permanent, place them in login scripts, which are executed when users log in.
- ◆ If the application requires that it be installed at the root of a volume, but you would rather install it in a subdirectory for security reasons, you can map the directory to a fake root. (See "Fake Root" on page 17.)
- ◆ You can create a Directory Map object that points to an application directory.

Directory Map objects are useful in login scripts. Instead of mapping a drive to a specific directory path, you map a drive to a Directory Map object that points to a directory. (See "Directory Map Objects" on page 18.)

Then, if you change the directory path, you need to change only the Directory Map object's definition.

- ◆ NetWare provides the Application Launcher™ software to assist you in setting up and managing network applications through NDS® — from a single administrative console, NetWare Administrator. Application Launcher, a component of Z.E.N.works™, improves ease of distribution, convenience of installation, and operational control for network applications. For more information, see ZENworks Starter Pack.
- ◆ Keeping program files separate from data files can simplify application management. Because program files seldom change, for example, you can keep a backup of program files separate from a data file backup so that network backup procedures need focus only on data directories.

Data directories for shared data files also provide for single-point backup and management of shared files.

Security: Rights to Files and Directories

File system security includes assigning trustee rights. To set up rights, see the following:

- ◆ “Description of Directory and File Rights” on page 41
- ◆ “Adding a Trustee to a Directory or File” on page 42
- ◆ “Deleting a Trustee from a Directory or File” on page 42
- ◆ “Modifying a Trustee's Rights to a Directory or File” on page 43
- ◆ “Viewing/Modifying the Inherited Rights Filter for Directories and Files” on page 44

For information on how to use Windows 95 to set rights, see Common Networking Tasks in *Novell Client for Windows 95*.

For Windows NT, see NetWare File Security in *Novell Client for Windows NT*.

Description of Directory and File Rights

Trustee rights determine the access users have to directories and files. These rights can be given to NDS object such as User objects, Group objects, Organizational Role objects, or container objects.

The following table contains a list and description of rights. For more information about rights, see the help in NetWare Administrator.

Table 1 Trustee Rights

Right	Allows you to
Access Control	Add and remove trustees and change rights to directories and files.
Create	Create subdirectories and files.
Erase	Delete directories and files.
File Scan	View directory and file names in the file system structure.
Modify	Rename directories and files, and change file attributes.
Read	Open and read files, and open, read, and execute applications.
Supervisor	Grant and exercise all rights listed in this table.

Right	Allows you to
Write	Open, write to, and modify a file.

Adding a Trustee to a Directory or File

You can add a trustee to a directory or file using NetWare Administrator or RIGHTS. The NetWare Administrator procedure is documented in this section. (See NetWare Administrator or RIGHTS for a general description of these utilities.)

Using NetWare Administrator to Add a Trustee

Prerequisites

- The Access Control right to the directory or file you want to add the trustee to

Procedure

- 1** In NetWare Administrator, select the directory or file that you want to add a trustee to.

For information about moving around in the browser and selecting objects, choose Help from the menu bar.

- 2** From the Object menu, choose Details.
- 3** From the Identification page, choose Trustees of this Directory.
- 4** From the Trustees of this Directory page, choose Add Trustee.
- 5** Select a trustee from the list of available objects.

If the object does not appear in the list, browse the Directory tree to find the object that you want to make a trustee of the directory or file.

- 6** Choose OK.
- 7** To grant rights to the trustee, check the appropriate checkboxes below the trustee.
- 8** To return to the browser, choose OK.

Deleting a Trustee from a Directory or File

You can delete a trustee from a directory or file using NetWare Administrator or RIGHTS.EXE. The NetWare Administrator procedure is documented in

this section. (See NetWare Administrator or RIGHTS for a general description of these utilities.)

Using NetWare Administrator to Delete a Trustee

Prerequisites

- The Access Control right to the directory or file you want to delete the trustee from

Procedure

- 1** In NetWare Administrator, select a directory or file that you want to delete a trustee from.

For information on moving around in the browser and selecting objects, choose Help from the menu bar.

- 2** From the Object menu, choose Details.
- 3** From the Identification page, choose Trustees of This Directory.
- 4** From the Trustees list, select a trustee you want to delete.
- 5** Choose Delete Trustee.
- 6** To delete that object as a trustee, choose Yes.
- 7** To return to the browser, choose OK.

Modifying a Trustee's Rights to a Directory or File

You can modify trustee rights to a directory or file through NetWare Administrator or RIGHTS.EXE. The NetWare Administrator procedure is documented in this section. (See NetWare Administrator or RIGHTS for a general description of these utilities.)

Using NetWare Administrator to Modify a Trustee's Rights

Prerequisites

- The Access Control right to the directory or file for which you want to change the trustee's rights

Procedure

- 1** In NetWare Administrator, select the directory or file for which you want to change trustee rights.

For information on moving around in the browser and selecting objects, choose Help from the menu bar.

- 2** From the Object menu, choose Details.
- 3** From the Identification page, choose Trustees of this Directory.
- 4** From the Trustees list, select a trustee.
- 5** Grant or revoke rights by checking the checkboxes below the trustee.
- 6** Choose OK to save the trustee rights.

Viewing/Modifying the Inherited Rights Filter for Directories and Files

You can view and modify the Inherited Rights Filter (IRF) for a directory or file using NetWare Administrator. Both procedures are documented in this section. (See NetWare Administrator for a general description of this utility.) For more information about IRFs, see the help in NetWare Administrator.

Prerequisites

- The Access Control right to the directory or file for which you want to view or modify the IRF

Procedure

- 1** In NetWare Administrator, select a directory or file.
For information on moving around in the browser and selecting objects, choose Help from the menu bar.
- 2** From the Object menu, choose Details.
- 3** From the Identification page, choose Trustees of This Directory.
- 4** Under Inheritance Filter, check the checkboxes for the rights that you want to allow to be inherited for that directory or file.
- 5** Choose OK.
The Trustees dialog reappears.
- 6** To return to the browser, choose OK.

Setting Directory or File Attributes

To set up attributes and change owners for a directory or file, see the following:

- ◆ “Description of Directory and File Attributes” on page 45
- ◆ “Changing Attributes of a Directory or File” on page 47
- ◆ “Changing the Owner of a Directory or File” on page 47

For information on how to use Windows 95 to set directory or file attributes, see Common Networking Tasks in *Novell Client for Windows 95*.

Description of Directory and File Attributes

Directory and file attributes assign properties to individual directories or files. Some attributes are meaningful only when applied at the file level, but some apply to both the directory and the file levels.

Be careful when assigning directory and file attributes. The attribute applies to *all* users.

For example, if you assign the Delete Inhibit attribute to a file, no one, including the owner of the file or the network administrator, can delete the file. But any trustee with the Modify right can change the attribute to allow deletion.

Table 2 Directory and File Attributes

Attribute code	Description	Applies to
A	Archive Needed identifies files that have been modified since the last backup. This attribute is assigned automatically.	Files only
Ci	Copy Inhibit prevents Macintosh users from copying a file. This attribute overrides Read and File Scan trustee rights.	Files only
Dc	Don't Compress keeps data from being compressed. This attribute overrides settings for automatic compression of files not accessed within a specified number of days.	Directories and files
Di	Delete Inhibit means that the directory or file cannot be deleted. This attribute overrides the Erase trustee right.	Directories and files
Dm	Don't Migrate prevents directories and files from being migrated from the server's hard disk to another storage medium.	Directories and files
Ds	Don't Suballocate prevents data from being suballocated.	Files only
H	The Hidden attribute hides directories and files so they can't be listed using the DIR command.	Directories and files

Attribute code	Description	Applies to
I	Index allows large files to be accessed quickly by indexing files with more than 64 File Allocation Table (FAT) entries. This attribute is set automatically.	Files only
Ic	Immediate Compress sets data to be compressed as soon as a file is closed. If applied to a directory, every file in the directory is compressed as each file is closed.	Directories and files
N	Normal indicates the Read/Write attribute is assigned and the Shareable attribute is not. This is the default attribute assignment for all new files.	Directories and files
P	Purge flags a directory or file to be erased from the system as soon as it is deleted. Purged directories and files cannot be recovered.	Directories and files
Ri	Rename Inhibit prevents the directory or file name from being modified.	Directories and files
Ro	Read Only prevents a file from being modified. This attribute automatically sets Delete Inhibit and Rename Inhibit.	Files only
Rw	Read/Write allows you to write to a file. All files are created with this attribute.	Files only
Sh	Shareable allows more than one user to access the file at the same time. This attribute is usually used with Read Only.	Files only
Sy	The System attribute hides the directory or file so it can't be seen by using the DIR command. System is normally used with operating system files, such as DOS system files.	Directories and files
T	Transactional allows a file to be tracked and protected by the Transaction Tracking System (TTS).	Files only
X	The Execute Only attribute prevents the file from being copied, modified, or backed up. It does allow renaming. The only way to remove this attribute is to delete the file. Use the attribute for program files such as .EXE or .COM. Make a copy of a file before you flag it as Execute Only, so you can replace the file if it becomes corrupted.	Files only

Changing Attributes of a Directory or File

You can change the attributes of a directory or file with NetWare Administrator or FLAG. The NetWare Administrator procedure is documented in this section. (See NetWare Administrator or FLAG for a general description of these utilities.)

For a list of attributes, see “Description of Directory and File Attributes” on page 45.

Using NetWare Administrator to Change Directory or File Attributes

Prerequisites

- The Modify right to the directory or file whose attributes you want to change

Procedure

- 1** In NetWare Administrator, select a directory or file.
For information on moving around in the browser and selecting objects, choose Help from the menu bar.
- 2** From the Object menu, choose Details.
- 3** From the Identification page, choose Attributes.
- 4** Check the checkboxes for the attributes that you want to set or reset for this directory or file.
- 5** To close the object dialog box and save the new attributes, choose OK.

Changing the Owner of a Directory or File

You can change the owner of a directory or file using NetWare Administrator.

Using NetWare Administrator to Change the Owner of a Directory or File

Prerequisites

- The Modify right to the directory or file for which you want to change the owner

Procedure

- 1** In NetWare Administrator, select the directory or file for which you want to change the owner.

For information on moving around in the browser and selecting objects, choose **Help** from the menu bar.

- 2** From the Object menu, choose **Details**.
- 3** From the Identification page, choose **Facts**.
- 4** To change the owner of this directory or file, click on the browser button to the right of the Owner field.
- 5** Choose the object that you want to make the new owner of this directory or file.
- 6** When the correct user is displayed in the Object Name field, choose **OK**.
The new owner appears in the Owner field of the object dialog box.
- 7** To save any changes, choose **OK**.

4

Optimizing

Information on file system optimization focuses exclusively on tasks for the network administrator. Procedures in this section pertain primarily to disk space utilization, and affect performance only as space utilization affects network performance.

NOTE: If your network needs to support large volumes and files, or large numbers of volumes, directories, and files, consider using Novell® Storage Services™ (NSS), the new file system. You can use NSS™ volumes, either alone or along with the traditional NetWare® file system, to improve file system performance. See Novell Storage Services (NSS).

Saving Disk Space with File Compression

- ◆ “Enabling File Compression” on page 49
- ◆ “Disabling File Compression” on page 50
- ◆ “Setting File Compression Attributes” on page 50
- ◆ “Suspending File Compression” on page 52

Enabling File Compression

By default, file compression is enabled at the volume level when a volume is created. If you do not enable file compression when you create a volume, you can subsequently enable it using the SET utility. Once file compression is enabled for a volume, you can turn it on or off for individual files and directories by setting compression attributes with NetWare Administrator or FLAG.EXE. For background information, see “File Compression” on page 19.

See NetWare Administrator or FLAG for a general description of those utilities.

IMPORTANT: Do not use file compression on a CD-ROM volume.

It isn't necessary to separate applications from data for file compression, because the SET parameter named Days Untouched Before Compression can eliminate the compression of applications that are used regularly. This parameter specifies the number of days that must pass without access to a file before the file can be compressed. The parameter uses the date the file was last accessed to gauge whether a file should be compressed or not.

To avoid the overhead of uncompressing files that don't compress well, the system calculates the compressed size of a file before actually compressing it. If no disk space will be saved by compression, or if the size difference does not meet the value specified by the SET parameter named Minimum Percentage Compression Gain, the file is not compressed.

For a file to be uncompressed, there must be enough free space on the volume to accommodate the uncompressed file size.

For instructions on setting file compression for volumes, directories, and files, see "Setting File Compression Attributes" on page 50.

Disabling File Compression

File compression is enabled and disabled at the volume level.

If you do not enable file compression when you create a volume, you can subsequently enable it using the SET utility. Once enabled, however, file compression cannot be disabled on the volume unless you re-create the volume.

You can temporarily suspend file compression using the SET command's Enable File Compression parameter. (See SET for a general description of the SET command.)

Setting File Compression Attributes

To set file compression attributes for a volume (including enabling compression), use NWCONFIG or SET (see NWCONFIG or "Using SET to Set File Compression Attributes for Volumes" on page 51).

To set file compression attributes for a directory or file, use NetWare Administrator (see "Using NetWare Administrator to Set File Compression for a Directory or File" on page 51), or FLAG (see FLAG).

To view file compression attributes for a directory or a file, use NetWare Administrator or FLAG.

Using SET to Set File Compression Attributes for Volumes

Use SET to set file compression attributes for an entire volume. File compression SET parameters do not affect volumes on which compression is disabled.

IMPORTANT: Do not use file compression on a CD-ROM volume.

To change SET parameters, execute the SET command at the server console prompt.

The following list identifies SET command parameters that affect file compression. The settings apply to all files and directories in compression-enabled volumes on the server. For the function and range of values associated with each SET parameter, see SET.

- ◆ Compression Daily Check Stop Hour
- ◆ Compression Daily Check Starting Hour
- ◆ Minimum Compression Percentage Gain
- ◆ Enable File Compression
- ◆ Maximum Concurrent Compressions
- ◆ Convert Compressed to Uncompressed Option
- ◆ Decompress Percent Disk Space Free To Allow Commit
- ◆ Decompress Free Space Warning Interval
- ◆ Deleted Files Compression Option
- ◆ Days Untouched Before Compression

Using NetWare Administrator to Set File Compression for a Directory or File

Use NetWare Administrator to set file compression attributes for individual directories or files. The attributes are Immediate Compress (IC) and Don't Compress (DC).

NOTE: Compression is usually a low priority process thread because of compression's impact on performance. If you flag an item for immediate compression during peak system usage, performance may deteriorate.

Prerequisites

- File compression enabled for the volume
- Modify right to the file or directory

Procedure

- 1 In NetWare Administrator, select the file or directory for which you want to set compression attributes.
- 2 From the Object menu, choose Details.
- 3 Choose Attributes.
- 4 From File Attributes, choose Immediate Compress or Don't Compress.
- 5 Choose OK.

Suspending File Compression

Use SET command's Enable File Compression parameter to temporarily suspend file compression for a volume. (See SET.)

The MONITOR command can also be used to change file compression parameters. (See MONITOR.)

While file compression is suspended, files that would have been compressed are queued and compressed when compression is re-enabled.

Saving Disk Space With File Purging

Purging files frees disk space on the NetWare server's hard disk. For background information, see "File Purging" on page 20.

Use NetWare Administrator to purge files manually (see "Purging Files" on page 64) or use PURGE . (See PURGE.)

To purge files automatically, use the SET command. (See SET.)

Saving Disk Space with Block Suballocation

Use block suballocation to enhance use of disk space.

Block suballocation divides any partially used disk block into suballocation blocks of 512 bytes. These suballocation blocks can be used by files to share what would otherwise be unavailable space.

You can set block suballocation only when creating a NetWare volume.

Enhancing Disk Response Time With Spanning

For a heavily used volume, you can improve disk response time by distributing volume segments across two or more disks. For background information, see “Understanding Volume Segments” on page 16.

If one of the disks fails, the entire volume becomes unavailable. Therefore, you should mirror or duplex drives containing spanned volumes. (See *Mirroring and Duplexing* for concepts and *Mirroring and Duplexing Partitions* for instructions.)

If a disk containing a spanned volume fails, the entire volume must be restored from a backup across all segments before you can use it again.

The most effective way to distribute volume segments is to do so equally across the disks. Do not simply fill up a disk, add another, add another, etc.

Optimizing File Caching

See *Changing Disk and Directory Caching for Faster Writes*.

5

Managing

Procedures in the Managing section of file system documentation pertain to network administrators and users. Procedures for viewing directory and file information, copying, moving, and other routine functions are of interest to users as well as system administrators. Procedures pertaining to volume management and the protection of network data necessarily belong to network administration.

Managing Volumes

- ◆ “Changing Volume Size” on page 55
- ◆ “Deleting a Volume” on page 57
- ◆ “Renaming a Volume” on page 57
- ◆ “Repairing a Volume” on page 58
- ◆ “Viewing Volumes” on page 61

NOTE: If your network needs to support large volumes and files, or large numbers of volumes, directories, and files, consider using Novell® Storage Services™ (NSS), the new file system. NSS™ mounts volumes more quickly, using only 1 MB of RAM, and NSS gives you more options for gathering free space to use for volumes. NSS can be used along with the traditional NetWare® file system. See Novell Storage Services (NSS).

Changing Volume Size

To increase the size of a volume, add new segments using the procedure in this section. For background information, see “Understanding Volume Segments” on page 16.

NOTE: To reduce the size of the volume, you must delete the entire volume, and then re-create the volume. You can add segments to a volume without destroying data, but

removing any segment from a volume destroys all of the data on the volume. Before deleting a volume, back up all data on the volume. See “Deleting a Volume” on page 57.

A volume can have multiple segments spanning multiple hard disks. This arrangement allows you to add a hard disk when you need to expand a volume.

Keep the following requirements in mind if you plan to expand volumes:

- ◆ The maximum number of segments allowed per volume is 32.
- ◆ The maximum number of segments you can create on one hard disk is 8.
- ◆ The maximum number of volumes allowed is 64.

Prerequisites

- An existing NetWare partition with free space (for information about partitions, see Partitioning Disks for concepts and Creating NetWare Partitions for instructions)

Procedure

- 1** At the server console prompt, type
NWCONFIG
- 2** From the Installation Options menu choose Disk Options and then NetWare Volume Options.
- 3** Press Insert or F3 to view existing volume segments.
- 4** Select a segment that has free space (no volume assignment) and press Enter.
NOTE: If no free space exists, you can't add a segment to a volume.
- 5** To add this segment to an existing volume, select Make This Segment Part of Another Volume and press Enter.
A list of existing volumes appears.
- 6** Select the volume you want to add this segment to, and press Enter.
The Volume Disk Segment List appears with the new segment listed, showing the name of the volume you assigned the segment to.
- 7** (Optional) If you want to modify the size of the segment being added, select the new segment and press Enter. The Status column for the segment being added shows the letter N, for New.

- 7a** In the Disk Segment Size field, type the size (in megabytes), of the segment to be added to the volume. Then press Enter.
- 7b** Press F10 or Esc to save changes and return to the Volume Disk Segment list.
- 8** Verify the segment size and the volume it will be added to in the Volume Disk Segment List. Then press Esc or F10.
- 9** To save volume assignments to disk, press F10 and Yes to verify.

Deleting a Volume

This procedure tells you how to delete an entire volume.

WARNING: Deleting one volume segment deletes all existing data on the volume! You cannot delete only part of a volume.

- 1** Back up the data stored on the volume you want to delete.
- 2** Dismount the volume you want to delete.
- 3** At the server console prompt, type

```
NWCONFIG
```

- 4** From the Installation Options menu, choose Disk Options and then NetWare Volume Options and press Enter.

A list of existing volumes is displayed.

- 5** From the list of existing volumes, select the volume you want to delete and press Delete.

A warning similar to the following appears:

```
Volume volume_name may contain valuable data that will be  
lost if you confirm Yes in the box that follows this  
message and if you save volume changes on exit from the  
volumes list.
```

```
<Press ENTER to continue>
```

- 6** Press Enter if you want to continue.
- 7** When the Delete Existing Volume? prompt appears, select Yes and press Enter.

Renaming a Volume

IMPORTANT: Do not change the name of volume SYS: to another name. A volume called SYS: is mandatory.

- 1** Dismount the volume you want to rename.
- 2** At the server console prompt, type
NWCONFIG
- 3** From the Installation Options menu, choose Disk Options and then NetWare Volume Options and press Enter.
All existing volumes are listed.
- 4** Select the volume whose name you want to change and press Enter.
The Volume Information screen is displayed.
- 5** Use the arrow keys to highlight the Name field, and press Enter.
- 6** Backspace to erase the old name; then type in a new name and press Enter.
- 7** Press Esc twice; then press F10 to save the volume information.
If you have not dismounted the volume it is automatically dismounted now.
- 8** When prompted, answer Yes to mount the volume with the new name.
- 9** To set the Volume object name and context in NDS[®], you are prompted to log in to the Directory.
- 10** After you log in, verify that the displayed context and Volume object name are correct.
NOTE: Renaming a volume with NWCONFIG creates a Volume object with the new name. It does not delete the Volume object with the old name.
- 11** Use NetWare Administrator to delete the old Volume object from the Directory tree.

Repairing a Volume

Typically, you can't mount a volume if it has even minor damage. Occasionally, however, a damaged volume mounts, but causes errors in the process.

Use VREPAIR to correct volume problems or to remove name space entries from File Allocation Tables (FATs) and Directory Entry Tables (DETs). (See VREPAIR for a general description of the command.)

NOTE: If you need to repair an NSS volume, see *Rebuild NSS Volumes*.

You can run VREPAIR on a damaged volume while other volumes are mounted. Following are typical instances when VREPAIR can help:

- ◆ A hardware failure either prevented a volume from mounting or caused a disk read error.

NOTE: Although VREPAIR can't fix hardware problems, VREPAIR can sometimes fix related volume damage.

- ◆ A power failure caused a corrupted volume.
- ◆ The server console displays a mirroring error when the server boots. This mirroring refers to the two copies of FATs and DETs that the operating system keeps (if disks are mirrored, NetWare keeps four copies).

If a volume fails to mount as the server is booting, VREPAIR loads automatically and attempts to repair the volume.

When VREPAIR autoloads, it uses the default options. If you want to use an alternate option, load VREPAIR manually and set the alternate option before running VREPAIR.

NOTE: If you don't want VREPAIR to automatically repair a volume that won't mount, use the SET parameter named Automatically Repair Bad Volumes to change the default.

Prerequisites

- The volume you want to repair must be dismounted.
- If the volume to be repaired has name space support, the corresponding VREPAIR name space module (*V_namespace.NLM*) must be located in either the SYS:SYSTEM directory or in a search path directory.

Example modules include V_MAC.NLM and V_LONG.NLM.

Procedure

- 1 At the server console prompt, type

```
VREPAIR [volume name] [logfile name]
```

(Optional) Replace *volume name* with the name of the volume to repair. If there is only one volume that is dismounted, you don't need to specify this parameter, since VREPAIR will attempt to repair that volume.

(Optional) If you want to save the error log, replace the *logfile name* with the name of the file you want VREPAIR to create. VREPAIR creates a log of errors it finds. VREPAIR displays the errors on screen and will write them to a file if you specify a filename.

When you load VREPAIR, an Options menu is displayed.

2 Accept the default options, or select alternate options, as appropriate.

The first time you try to repair a volume, accept the default options. If the default options fail to repair the volume, select alternate options.

2a To accept the default options, continue with Step 3.

2b To set alternate options at the Options menu, choose Set VRepair Options by typing

2 Enter

3 To begin the repair process, choose Repair A Volume from the Options menu.

- ◆ If more than one volume is dismounted, select the volume to repair from those listed.
- ◆ If only one volume is dismounted, VREPAIR assumes it is the volume that needs repairing and begins the repair.

As the volume is being repaired, the server console screen displays a message indicating VREPAIR activity.

4 (Optional) Modify error log settings after the repair has started.

If VREPAIR finds many errors during the repair process, you might want to change some of the run-time error settings. To modify these settings after the repair has started, press F1 to display the Current Error Settings menu.

- ◆ Select Option 1 if you do not want VREPAIR to pause after each error.
- ◆ Select Option 2 if you want VREPAIR to log errors in a text file.
- ◆ Select Option 3 to stop the repair of the volume.
- ◆ Select Option 4 to continue with a volume repair after you have stopped it.

5 When the repair is complete, answer Y when prompted to write repairs to the disk.

6 If VREPAIR has found errors, run VREPAIR again by repeating Step 2 through Step 6. Repeat until VREPAIR finds no errors.

If you are unable to mount the volume after running VREPAIR several times, you must delete the volume, re-create the volume using NWCONFIG, and then restore the data from backups.

Viewing Volumes

You can view Volume objects in NetWare Administrator (see NetWare Administrator). You can also view statistical information on disk space availability, block size, directory entries, name space support, etc.

MAP lists a NetWare server's volume names. (See MAP.)

In addition, the DOS DIR command lists the volume name for the specified network drive (for example, Volume in drive F: is SYS:).

This corresponds to the DOS or OS/2 volume label shown by the DIR command for local disks (floppy disks or workstation hard disks). A local disk can be given a volume label during formatting or with the DOS or OS/2 LABEL command.

Viewing Directory and File Information

You can see extended information about a directory or file using NetWare Administrator (see NetWare Administrator). The procedure for using NetWare Administrator is documented in this section.

You can see file information such as

- ◆ Owner and trustees
- ◆ Attributes, effective rights, and the Inherited Rights Filter (IRF)
- ◆ Name space
- ◆ File size
- ◆ Creation, access, archive, and modify dates

You can see directory information such as

- ◆ Owner and trustees
- ◆ Creation date and time
- ◆ Attributes, effective rights, and the IRF
- ◆ Disk space limitations

Prerequisites

- The File Scan right to the file or directory you want to see information about

Procedure

- 1 In NetWare Administrator, select the file or directory you want to see information about.

For help moving around in the browser and selecting objects, choose Help from the menu bar.

- 2 Choose Details from the Object menu.
- 3 Select an Information page to view for this file or directory.
- 4 If you have made any changes on any pages, choose OK to save changes and return to the browser.

If you haven't made any changes, choose Cancel to return to the browser.

Copying or Moving Directories and Files

You can copy and move files and directories, as you do objects, in NetWare Administrator. You can also perform these tasks from your desktop application.

The destination can be in another browser containing the same tree or a different tree.

To copy or move files, you must have File Scan rights to the source directory, and you must have the Create right to the destination directory.

To move files, you must also have the Erase right to the source directory, because moving files includes deleting them from the source directory.

Salvaging and Purging Files

Files deleted from the NetWare server remain on the disk until the deleted files are purged. Deleted files can be salvaged any time before they are purged.

Purging frees the space used to store the deleted files on the server's hard disk. If a disk runs out of free space, NetWare automatically purges first the files that were deleted first. Instructions for salvaging and purging are in the following sections:

- ♦ "Salvaging Deleted Files" on page 63
- ♦ "Purging Files" on page 64

Salvaging Deleted Files

Files deleted from the NetWare server can be recovered unless they have been purged. For background information, see “Salvageable Files” on page 19.

You can salvage files by using the NetWare Administrator procedure documented in this section.

Prerequisites

- ❑ The Create right to the directory from which the file was deleted. (If the directory has also been deleted, then the deleted file is in the Deleted Directories area, which is the DELETED.SAV directory. To salvage a file from there, you need the Supervisor right to the DELETED.SAV directory.)

Procedure

1 In NetWare Administrator, select the directory containing the files or directories you want to salvage.

2 From the Tools menu, choose Salvage.

3 From the Source list, select the source directory (current or deleted).

If the source is a deleted directory, NetWare Administrator looks in the DELETED.SAV directory on the SYS: volume. If you salvage files from deleted directories, the list of files takes a long time to appear.

4 Specify the deleted files you want listed by entering a file specification (such as wildcards) in the Include field.

For example, to see a list of deleted batch files in the current directory, you would type *.BAT in the Include field.

If you leave the field blank or type *.* you get a list of all deleted files in the selected directory.

5 Choose List to display the filenames you included.

6 (Optional) Specify how you want the files to be listed by selecting a sort option from the Sort Options drop box.

For example, you can sort by deletion date, deleter, etc. The default listing is by filename.

7 Select the files you want to salvage.

8 Choose Salvage.

If you salvage files from an existing directory, the files are restored to that directory. If you salvage files from a deleted directory, the files are restored in the root directory.

- 9 To return to the browser, choose Close.

Purging Files

Purging files frees disk space on the NetWare server's hard disk. For background information, see "File Purging" on page 20.

WARNING: Purged files *cannot* be salvaged.

To purge individual files or directories manually, use NetWare Administrator or PURGE. (See NetWare Administrator or PURGE.)

To purge files automatically, use the SET command. (See SET.)

Prerequisites

- The Erase right to the deleted file or directory you want to purge. If the file is in the Deleted Directories area, you need the Supervisor right to the file

Procedure

- 1 In NetWare Administrator, select the directory containing the files or directories to be purged.
- 2 From the Tools menu, choose Purge.
- 3 Select the source directory (current or deleted) from the Source drop box.
- 4 Enter a file specification (such as wildcards) in the Include field to specify files to be listed.

For example, to see a list of deleted batch files in the current directory, you would type *.bat in the Include field.

If you leave the field blank or type *.* you get a list of all deleted files in the current directory.

- 5 Choose List to display the filenames you specified.
- 6 (Optional) Specify how you want the filenames to be listed by selecting a sort option from the Sort Options drop box.

For example, you can sort by deletion date, deleter, etc. The default listing is by filename.

7 Select the files to be purged.

WARNING: If no files are selected, then *all* deleted files are purged.

8 Choose Purge.

9 To return to the browser, choose OK.

Protecting Data: Disk Mirroring and Duplexing

NetWare allows you to protect your data with disk mirroring or duplexing.

Mirroring stores the same data on separate disks on the same controller channel; duplexing stores the same data on separate disks on separate controller channels.

Duplexing is the preferred method since two channels rarely fail simultaneously.

Do not mirror a partition on a disk to another partition on the same disk. Doing so is not fault tolerant, even though mirroring allows it.

With multiple partitions on a disk, any partition can be mirrored to any other disk. This provides considerable flexibility in protecting partitions.

For conceptual information, see *Mirroring and Duplexing*. For instructions, see *Mirroring and Duplexing Partitions*.

Using Directory Map Objects

A Directory Map object represents a particular directory in the file system. (See “Directory Map Objects” on page 18.)

If you create a Directory Map object to point to an application, users can access the application by mapping a drive to the Directory Map object.

Directory Map objects can be especially useful in login scripts by indicating directories that contain applications or other frequently used files. For instructions on creating Directory Map Objects, see “Creating a Directory Map Object” on page 37.

Here's an example of how you could use a Directory Map object to reduce maintenance of login scripts.

If you have a directory that contains a word processor, you will probably map a search drive to that directory in any login scripts you create. If you should later upgrade to the word processor and rename the directory, you would have to change the mapping in every login script where that search mapping appears.

By using a Directory Map object, you could avoid having to make changes to the login scripts.

First, using NetWare Administrator, you could create a Directory Map object called `CURRENT_WPR` that points to the word processor directory (`SYS:PUBLIC\WPR\80`).

Then, in a `MAP` command (see `MAP`) in your login scripts, map a search drive to the Directory Map object, rather than to the specific directory:

```
MAP INS S2:=.CURRENT_WPR.SALES.NOVELL_US
```

When users log in, their search drive is mapped to the `CURRENT_WPR` Directory Map object, which points to the directory containing `WPR8.0`.

Later, if you upgrade to `WPR9.0` and change the directory's name to `SYS:PUBLIC\WPR\90`, you would change only the Directory Map object to indicate the new path.

You would not have to change the `MAP` command in the login script because the `MAP` command still indicates the correct Directory Map object.

6

Troubleshooting

This section presents various troubleshooting procedures focused primarily on resolving problems with volumes.

Resolving File I/O Errors

To resolve a file I/O error, try one or more of the following:

- ♦ Check to see that the volume (especially volume Sys) is mounted. To check volumes, type `VOLUME` at the server console prompt.
- ♦ If the volume is out of disk space, error messages will appear on the console screen indicating that the volume is almost out of disk space. Check the console screen.
- ♦ Type `DIR` at a DOS workstation to see how much space remains.

To increase the amount of free space, do one or more of the following:

- ♦ Delete extraneous files (if you can log in from a workstation).
- ♦ Type `SET IMMEDIATE PURGE OF DELETED FILES = ON` at the console prompt, and retry the action.
- ♦ If you have an additional disk, increase the size of the volume by creating an additional segment of the volume on the disk.

Resolving Volume I/O Errors

To resolve a volume I/O error, try one or more of the following:

- ♦ Make sure *all* devices that contain the volume are online. (Volumes can span multiple devices.)

- ◆ Load and execute VREPAIR.
- ◆ Load NWCONFIG and select Standard Disk Options > Volume Options. Make sure the volume is visible.

If you have tried all of the above without success, contact your Novell Authorized ResellerSM representative or disk drive manufacturer.

Resolving Problems when Server Hangs after Mounting Last Volume

To diagnose problems when the server hangs after mounting the last volume, identify whether the following conditions exist:

- ◆ The server network board is not initializing when the server is brought up because the board is not installed or seated correctly.
- ◆ The server network board is not configured correctly.

To resolve problems when the server hangs after mounting the last volume, perform the following actions or ensure that the following conditions exist:

- ◆ Run CONFIG at the server console to see what settings appear on the screen. Check the network board configurations of the boards in the server. Make sure the settings match.
- ◆ Make sure that all server and workstation network boards are seated properly and that cabling and connections are attached securely.
- ◆ Make sure that the terminators on cables have the right ohm rating and are installed correctly. The IBM* PC Cluster sends a broadcast message during initialization and hangs if the network is not cabled or terminated properly.
- ◆ Check the network boards in all workstations for correct node address settings.

Resolving Problem when No Volumes Mount

Volume Sys is the backout volume for TTSTM (Transaction Tracking SystemTM). Volume Sys also contains the NetWare system files and the NLM programs.

If volume Sys does not mount when the server is booted, then the autoexec.ncf file does not execute, LAN drivers do not load, TTS can't be enabled, and the volume does not become part of the NDS[®] tree.

To diagnose problems when no volumes mount, identify if the following conditions exist:

- ◆ Volume Sys is corrupted.
- ◆ The hard disk containing volume Sys has failed.
- ◆ The cable or power to the external hard disks has malfunctioned.

To resolve problems when no volumes mount, perform the following actions:

- ◆ Run VREPAIR on volume Sys (VREPAIR autoloads from the DOS partition).
- ◆ Check the cabling and power to the external hard disks. Replace any faulty components.
- ◆ Replace the hard disk containing volume Sys.
 - ◆ Load NWCONFIG to create the partitions and volume Sys.
 - ◆ Restore the data from a backup copy.

Resolving Problems when Only Some Volumes Mount

To diagnose problems when only some volumes mount, identify whether the following conditions exist:

- ◆ The server does not have enough RAM.
- ◆ The disk driver for external drives may not be loaded.

To resolve problems when only some volumes mount, perform the following actions:

- ◆ Add more RAM.
- ◆ At the server console, type MODULES to see which drivers are loaded.

Resolving Disk Error Problems when a Volume Is Mounting

To diagnose problems when disk errors occur while a volume is mounting, identify whether the following conditions exist:

- ◆ The server does not have enough memory to mount the volume.
- ◆ The operating system is experiencing directory sector mismatching. This mismatching can be caused if the media is defective or if the server is turned off without the DOWN command.

To resolve problems when disk errors while a volume is mounting, perform the following actions:

- ◆ Load MONITOR and check the status of the available cache buffers. If the cache buffers are fewer than 20%, add more memory to your server.
- ◆ Minor errors usually correct themselves through normal network use. For example, if a FAT entry is wrong, the entry is updated and corrected the next time it is written to. If errors do not correct themselves, run VREPAIR.
- ◆ Some problems may be corrected automatically by TTS.

Resolving Memory Errors when a Volume Is Mounting

To diagnose problems when memory errors while a volume is mounting, identify whether the following conditions exist:

- ◆ Volumes take more memory to mount than they require after being mounted because the mounting process performs consistency checks (for example, the duplicate copies of all the tables are checked).
- ◆ Volumes and directory entries grow dynamically. Thus, if your server is using most of the RAM (file cache buffers are close to 20% of the memory) and you dismount a volume, you may not be able to remount the volume unless additional memory is available.
- ◆ Each additional name space support that you add to a volume increases the size of the FATs and DETs. Adding name space support can cause the tables to grow so large that the server does not have enough RAM to mount the volume.

To resolve problems when memory errors while a volume is mounting, perform the following actions or ensure that the following conditions exist:

- ◆ Load MONITOR and check the status of the available cache buffers. If the cache buffers are fewer than 20%, add more RAM to your server.
- ◆ Free up memory by unloading resources.

- ◆ Streamline the directory structure. Every subdirectory takes at least one directory block (by default, a 4 KB block of memory). Thus, subdirectories with only one file require as much memory as directories with 32 files.

If you combine directories so that most directories have about 32 files, and then purge the deleted subdirectories and files, you will free up memory.

- ◆ Calculate how much memory you need and add memory to the server. View the current volume size with NWCONFIG.
- ◆ For a more accurate assessment of available RAM, load MONITOR, select Available Options > System Resources. Note the Cache Buffers settings in the Server Memory Statistics window.

If the percentage is below 20%, add more memory.

- ◆ Remove the recently added name space support.

WARNING: This is a destructive step that destroys all the extended file information. Before taking this step, try to free up enough memory so that the volume mounts and you can back up the data.

Have all users log out, and then unload all modules except the volume's disk drivers. Dismount any mounted volumes.

To remove the name space, load VREPAIR and select two options: Write All Directory and FAT Entries Out to Disk and Remove Name Space Support From The Volume. Then run VREPAIR on the volume that would not mount.

Resolving Volume Mounting Problems Because of Corrupted Directory Entry Tables or File Allocation Tables

To diagnose problems when mismatches exist in the duplicate copies of the File Allocation Table (FAT) and Directory Entry Table (DET), identify whether the following conditions exist:

- ◆ A power failure has occurred and the server has not been brought down gracefully.
- ◆ A hard disk fails.
- ◆ A disk channel error occurs.

- ◆ A volume is not dismounted with the DISMOUNT command.
- ◆ Directory information in cache is not completely written to disk.

To resolve problems when mismatches in the duplicate copies of the FAT and DET exist, perform the following actions:

- ◆ Run VREPAIR.
- ◆ Add a UPS system so that the server is brought down automatically when a power failure occurs.
- ◆ Replace faulty disks or controllers.
- ◆ Use NWCONFIG to unmirror the hard disks (select the hard disk you think is least reliable and delete it from the mirroring list). Then run VREPAIR on the volume and mount the volume.

If the volume still does not mount or the data shows some corruption, read the next suggestion before remirroring the hard disks.

- ◆ If the volume resides on mirrored hard disks, salvage the data on both hard disks.

Use NWCONFIG to unmirror the hard disks and to salvage the orphaned (Out Of Sync) hard disk as a new volume. Run VREPAIR on both the old and the new volumes.

Mount both volumes and compare the files. Use NWCONFIG to delete the volume that has the least useful information; rename the salvaged volume, if necessary. Then use NWCONFIG to remirror the hard disks.

Resolving Volume Mounting Problems Because of Name Space Module

Once a volume has been configured to support more than the DOS naming convention, the name space loadable module must be loaded before the volume can be mounted.

To diagnose problems when a volume cannot mount because the name space module is not loaded, identify whether the following conditions exist:

- ◆ The command to load the name space module is not in the startup.ncf file.
- ◆ The module to load the name space has not been copied to the boot directory of the server.

To resolve problems when a volume cannot mount because of the name space module is not loaded, perform the following actions:

- ◆ Load the name space module; then mount the volume. Copy the name space module to the server boot directory and add the load command to the startup.ncf file. The module then loads automatically whenever the server is booted.
- ◆ Delete the name space configuration from the volume.

WARNING: This is a destructive step that destroys all the extended file information.

Back up all non-DOS files. Then load VREPAIR and select both the Remove All Name Space Entries and the Write Changes Immediately to Disk options. Then run VREPAIR on the volume.

A

Novell Trademarks

Access Manager is a registered trademark of Novell, Inc. in the United States and other countries.

Advanced NetWare is a trademark of Novell, Inc.

AlarmPro is a registered trademark of Novell, Inc. in the United States and other countries.

AppNotes is a registered service mark of Novell, Inc. in the United States and other countries.

AppNotes is a registered service mark of Novell, Inc. in the United States and other countries.

AppTester is a registered service mark of Novell, Inc. in the United States and other countries.

BrainShare is a registered service mark of Novell, Inc. in the United States and other countries.

C-Worthy is a trademark of Novell, Inc.

C3PO is a trademark of Novell, Inc.

CBASIC is a registered trademark of Novell, Inc. in the United States and other countries.

Certified NetWare Administrator in Japanese and CNA-J are service marks of Novell, Inc.

Certified NetWare Engineer in Japanese and CNE-J are service marks of Novell, Inc.

Certified NetWare Instructor in Japanese and CNI-J are service marks of Novell, Inc.

Certified Novell Administrator and CNA are service marks of Novell, Inc.

Certified Novell Engineer is a trademark and CNE is a registered service mark of Novell, Inc. in the United States and other countries.

Certified Novell Salesperson is a trademark of Novell, Inc.

Client 32 is a trademark of Novell, Inc.

ConnectView is a registered trademark of Novell, Inc. in the United States and other countries.

Connectware is a registered trademark of Novell, Inc. in the United States and other countries.

Corsair is a registered trademark of Novell, Inc. in the United States and other countries.

CP/Net is a registered trademark of Novell, Inc. in the United States and other countries.

Custom 3rd-Party Object and C3PO are trademarks of Novell, Inc.

DeveloperNet is a registered trademark of Novell, Inc. in the United States and other countries.

Documenter's Workbench is a registered trademark of Novell, Inc. in the United States and other countries.

ElectroText is a trademark of Novell, Inc.

Enterprise Certified Novell Engineer and ECNE are service marks of Novell, Inc.

Envoy is a registered trademark of Novell, Inc. in the United States and other countries.

EtherPort is a registered trademark of Novell, Inc. in the United States and other countries.

EXOS is a trademark of Novell, Inc.

Global MHS is a trademark of Novell, Inc.

Global Network Operations Center and GNOC are service marks of Novell, Inc.

Graphics Environment Manager and GEM are registered trademarks of Novell, Inc. in the United States and other countries.

GroupWise is a registered trademark of Novell, Inc. in the United States and other countries.

GroupWise XTD is a trademark of Novell, Inc.

Hardware Specific Module is a trademark of Novell, Inc.

Hot Fix is a trademark of Novell, Inc.

InForms is a trademark of Novell, Inc.

Instructional Workbench is a registered trademark of Novell, Inc. in the United States and other countries.

Internetwork Packet Exchange and IPX are trademarks of Novell, Inc.

IPX/SPX is a trademark of Novell, Inc.

IPXODI is a trademark of Novell, Inc.

IPXWAN is a trademark of Novell, Inc.

LAN WorkGroup is a trademark of Novell, Inc.

LAN WorkPlace is a registered trademark of Novell, Inc. in the United States and other countries.

LAN WorkShop is a trademark of Novell, Inc.

LANalyzer is a registered trademark of Novell, Inc. in the United States and other countries.

LANalyzer Agent is a trademark of Novell, Inc.

Link Support Layer and LSL are trademarks of Novell, Inc.

MacIPX is a registered trademark of Novell, Inc. in the United States and other countries.

ManageWise is a registered trademark of Novell, Inc. in the United States and other countries.

Media Support Module and MSM are trademarks of Novell, Inc.

Mirrored Server Link and MSL are trademarks of Novell, Inc.

Mobile IPX is a trademark of Novell, Inc.

Multiple Link Interface and MLI are trademarks of Novell, Inc.

Multiple Link Interface Driver and MLID are trademarks of Novell, Inc.

My World is a registered trademark of Novell, Inc. in the United States and other countries.

N-Design is a registered trademark of Novell, Inc. in the United States and other countries.

Natural Language Interface for Help is a trademark of Novell, Inc.

NDS Manager is a trademark of Novell, Inc.

NE/2 is a trademark of Novell, Inc.

NE/2-32 is a trademark of Novell, Inc.

NE/2T is a trademark of Novell, Inc.

NE1000 is a trademark of Novell, Inc.

NE1500T is a trademark of Novell, Inc.

NE2000 is a trademark of Novell, Inc.

NE2000T is a trademark of Novell, Inc.

NE2100 is a trademark of Novell, Inc.

NE3200 is a trademark of Novell, Inc.

NE32HUB is a trademark of Novell, Inc.

NEST Autoroute is a trademark of Novell, Inc.

NetExplorer is a trademark of Novell, Inc.

NetNotes is a registered trademark of Novell, Inc. in the United States and other countries.

NetSync is a trademark of Novell, Inc.

NetWare is a registered trademark of Novell, Inc. in the United States and other countries.

NetWare 3270 CUT Workstation is a trademark of Novell, Inc.

NetWare 3270 LAN Workstation is a trademark of Novell, Inc.

NetWare 386 is a trademark of Novell, Inc.

NetWare Access Server is a trademark of Novell, Inc.

NetWare Access Services is a trademark of Novell, Inc.

NetWare Application Manager is a trademark of Novell, Inc.

NetWare Application Notes is a trademark of Novell, Inc.

NetWare Asynchronous Communication Services and NACS are trademarks of Novell, Inc.

NetWare Asynchronous Services Interface and NASI are trademarks of Novell, Inc.

NetWare Aware is a trademark of Novell, Inc.

NetWare Basic MHS is a trademark of Novell, Inc.

NetWare BranchLink Router is a trademark of Novell, Inc.

NetWare Care is a trademark of Novell, Inc.

NetWare Communication Services Manager is a trademark of Novell, Inc.

NetWare Connect is a registered trademark of Novell, Inc. in the United States.

NetWare Core Protocol and NCP are trademarks of Novell, Inc.

NetWare Distributed Management Services is a trademark of Novell, Inc.

NetWare Document Management Services is a trademark of Novell, Inc.

NetWare DOS Requester and NDR are trademarks of Novell, Inc.

NetWare Enterprise Router is a trademark of Novell, Inc.

NetWare Express is a registered service mark of Novell, Inc. in the United States and other countries.

NetWare Global Messaging and NGM are trademarks of Novell, Inc.

NetWare Global MHS is a trademark of Novell, Inc.

NetWare HostPrint is a registered trademark of Novell, Inc. in the United States.

NetWare IPX Router is a trademark of Novell, Inc.

NetWare LANalyzer Agent is a trademark of Novell, Inc.

NetWare Link Services Protocol and NLSP are trademarks of Novell, Inc.

NetWare Link/ATM is a trademark of Novell, Inc.
NetWare Link/Frame Relay is a trademark of Novell, Inc.
NetWare Link/PPP is a trademark of Novell, Inc.
NetWare Link/X.25 is a trademark of Novell, Inc.
NetWare Loadable Module and NLM are trademarks of Novell, Inc.
NetWare LU6.2 is trademark of Novell, Inc.
NetWare Management Agent is a trademark of Novell, Inc.
NetWare Management System and NMS are trademarks of Novell, Inc.
NetWare Message Handling Service and NetWare MHS are trademarks of Novell, Inc.
NetWare MHS Mailslots is a registered trademark of Novell, Inc. in the United States and other countries.
NetWare Mirrored Server Link and NMSL are trademarks of Novell, Inc.
NetWare Mobile is a trademark of Novell, Inc.
NetWare Mobile IPX is a trademark of Novell, Inc.
NetWare MultiProtocol Router and NetWare MPR are trademarks of Novell, Inc.
NetWare MultiProtocol Router Plus is a trademark of Novell, Inc.
NetWare Name Service is trademark of Novell, Inc.
NetWare Navigator is a trademark of Novell, Inc.
NetWare Peripheral Architecture is a trademark of Novell, Inc.
NetWare Print Server is a trademark of Novell, Inc.
NetWare Ready is a trademark of Novell, Inc.
NetWare Requester is a trademark of Novell, Inc.
NetWare Runtime is a trademark of Novell, Inc.
NetWare RX-Net is a trademark of Novell, Inc.
NetWare SFT is a trademark of Novell, Inc.
NetWare SFT III is a trademark of Novell, Inc.
NetWare SNA Gateway is a trademark of Novell, Inc.
NetWare SNA Links is a trademark of Novell, Inc.
NetWare SQL is a trademark of Novell, Inc.
NetWare Storage Management Services and NetWare SMS are trademarks of Novell, Inc.
NetWare Telephony Services is a trademark of Novell, Inc.
NetWare Tools is a trademark of Novell, Inc.
NetWare UAM is a trademark of Novell, Inc.
NetWare WAN Links is a trademark of Novell, Inc.

NetWare/IP is a trademark of Novell, Inc.

NetWire is a registered service mark of Novell, Inc. in the United States and other countries.

Network Navigator is a registered trademark of Novell, Inc. in the United States.

Network Navigator - AutoPilot is a registered trademark of Novell, Inc. in the United States and other countries.

Network Navigator - Dispatcher is a registered trademark of Novell, Inc. in the United States and other countries.

Network Support Encyclopedia and NSE are trademarks of Novell, Inc.

Network Support Encyclopedia Professional Volume and NSEPro are trademarks of Novell, Inc.

NetWorld is a registered service mark of Novell, Inc. in the United States and other countries.

Novell is a service mark and a registered trademark of Novell, Inc. in the United States and other countries.

Novell Alliance Partners Program is a collective mark of Novell, Inc.

Novell Application Launcher is a trademark of Novell, Inc.

Novell Authorized CNE is a trademark and service mark of Novell, Inc.

Novell Authorized Education Center and NAEC are service marks of Novell, Inc.

Novell Authorized Partner is a service mark of Novell, Inc.

Novell Authorized Reseller is a service mark of Novell, Inc.

Novell Authorized Service Center and NASC are service marks of Novell, Inc.

Novell BorderManager is a trademark of Novell, Inc.

Novell BorderManager FastCache is a trademark of Novell, Inc.

Novell Client is a trademark of Novell, Inc.

Novell Corporate Symbol is a trademark of Novell, Inc.

Novell Customer Connections is a registered trademark of Novell, Inc. in the United States.

Novell Directory Services and NDS are registered trademarks of Novell, Inc. in the United States and other countries.

Novell Distributed Print Services is a trademark and NDPS is a registered trademark of Novell, Inc. in the United States and other countries.

Novell ElectroText is a trademark of Novell, Inc.

Novell Embedded Systems Technology is a registered trademark and NEST is a trademark of Novell, Inc. in the United States and other countries.

Novell Gold Authorized Reseller is a service mark of Novell, Inc.
Novell Gold Partner is a service mark of Novell, Inc.
Novell Labs is a trademark of Novell, Inc.
Novell N-Design is a registered trademark of Novell, Inc. in the United States and other countries.
Novell NE/2 is a trademark of Novell, Inc.
Novell NE/2-32 is a trademark of Novell, Inc.
Novell NE3200 is a trademark of Novell, Inc.
Novell Network Registry is a service mark of Novell, Inc.
Novell Platinum Partner is a service mark of Novell, Inc.
Novell Press is a trademark of Novell, Inc.
Novell Press Logo (teeth logo) is a registered trademark of Novell, Inc. in the United States and other countries.
Novell Replication Services is a trademark of Novell, Inc.
Novell Research Reports is a trademark of Novell, Inc.
Novell RX-Net/2 is a trademark of Novell, Inc.
Novell Service Partner is a trademark of Novell, Inc.
Novell Storage Services is a trademark of Novell, Inc.
Novell Support Connection is a registered trademark of Novell, Inc. in the United States and other countries.
Novell Technical Services and NTS are service marks of Novell, Inc.
Novell Technology Institute and NTI are registered service marks of Novell, Inc. in the United States and other countries.
Novell Virtual Terminal and NVT are trademarks of Novell, Inc.
Novell Web Server is a trademark of Novell, Inc.
Novell World Wide is a trademark of Novell, Inc.
NSE Online is a service mark of Novell, Inc.
NTR2000 is a trademark of Novell, Inc.
Nutcracker is a registered trademark of Novell, Inc. in the United States and other countries.
OnLAN/LAP is a registered trademark of Novell, Inc. in the United States and other countries.
OnLAN/PC is a registered trademark of Novell, Inc. in the United States and other countries.
Open Data-Link Interface and ODI are trademarks of Novell, Inc.
Open Look is a registered trademark of Novell, Inc. in the United States and other countries.

Open Networking Platform is a registered trademark of Novell, Inc. in the United States and other countries.

Open Socket is a registered trademark of Novell, Inc. in the United States.

Packet Burst is a trademark of Novell, Inc.

PartnerNet is a registered service mark of Novell, Inc. in the United States and other countries.

PC Navigator is a trademark of Novell, Inc.

PCOX is a registered trademark of Novell, Inc. in the United States and other countries.

Perform3 is a trademark of Novell, Inc.

Personal NetWare is a trademark of Novell, Inc.

Pervasive Computing from Novell is a registered trademark of Novell, Inc. in the United States and other countries.

Portable NetWare is a trademark of Novell, Inc.

Presentation Master is a registered trademark of Novell, Inc. in the United States and other countries.

Print Managing Agent is a trademark of Novell, Inc.

Printer Agent is a trademark of Novell, Inc.

QuickFinder is a trademark of Novell, Inc.

Red Box is a trademark of Novell, Inc.

Reference Software is a registered trademark of Novell, Inc. in the United States and other countries.

Remote Console is a trademark of Novell, Inc.

Remote MHS is a trademark of Novell, Inc.

RX-Net is a trademark of Novell, Inc.

RX-Net/2 is a trademark of Novell, Inc.

ScanXpress is a registered trademark of Novell, Inc. in the United States and other countries.

Script Director is a registered trademark of Novell, Inc. in the United States and other countries.

Sequenced Packet Exchange and SPX are trademarks of Novell, Inc.

Service Response System is a trademark of Novell, Inc.

Serving FTP is a trademark of Novell, Inc.

SFT is a trademark of Novell, Inc.

SFT III is a trademark of Novell, Inc.

SoftSolutions is a registered trademark of SoftSolutions Technology Corporation, a wholly owned subsidiary of Novell, Inc.

Software Transformation, Inc. is a registered trademark of Software Transformation, Inc., a wholly owned subsidiary of Novell, Inc.

SPX/IPX is a trademark of Novell, Inc.

StarLink is a registered trademark of Novell, Inc. in the United States and other countries.

Storage Management Services and SMS are trademarks of Novell, Inc.

Technical Support Alliance and TSA are collective marks of Novell, Inc.

The Fastest Way to Find the Right Word is a registered trademark of Novell, Inc. in the United States and other countries.

The Novell Network Symbol is a trademark of Novell, Inc.

Topology Specific Module and TSM are trademarks of Novell, Inc.

Transaction Tracking System and TTS are trademarks of Novell, Inc.

Universal Component System is a registered trademark of Novell, Inc. in the United States and other countries.

Virtual Loadable Module and VLM are trademarks of Novell, Inc.

Writer's Workbench is a registered trademark of Novell, Inc. in the United States and other countries.

Yes, It Runs with NetWare (logo) is a trademark of Novell, Inc.

Yes, NetWare Tested and Approved (logo) is a trademark of Novell, Inc.

ZENworks is a trademark of Novell, Inc.

