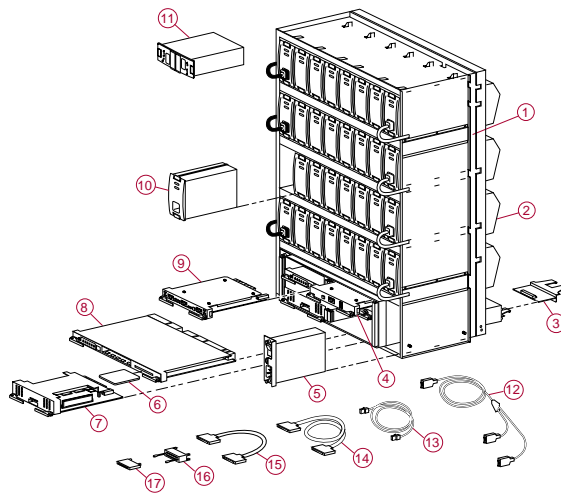




HSZ70 Array Controller HSOF Version 7.x  
**Field Replaceable Units**

---



- |    |  |             |
|----|--|-------------|
| 1  | BA370 rack-mountable enclosure                     | —           |
| 2  | Cooling fan  | DS-BA35X-MK |
| 3  | I/O module   | 70-32832-01 |
| 4  | Power verification & addressing module (PVA)       | DS-BA35X-EC |
| 5  | AC input module                                    | DS-BA35X-HE |
| 6  | Program card                                       | BG-xxxxx-xx |
| 7  | Cache module                                       | 70-32835-01 |
| 8  | 64 MB SIMM kit                                     | DS-HSSIM-AB |
| 9  | HSZ70 controller                                   | DS-HSZ70-AH |
| 10 | Environmental monitoring unit (EMU)                | DS-BA35X-EB |
| 11 | 180-watt power supply                              | DS-BA35X-HH |
| 12 | External cache battery (ECB), single configuration | HS35X-BC    |
| 13 | ECB, dual-redundant configuration                  | HS35X-BD    |
| 14 | "Y" cable kit for ECB                              | 70-33268-xx |
| 15 | EMU bus cable (lengths from 0.5 to 7 meters)       | BN26M-xx    |
| 16 | Host bus cable (lengths from 1 to 25 meters)       | DS-BN37A-xx |
| 17 | Dual-controller cable                              | DS-BN37A-0E |
|    | Terminator   | H8861-AA    |
|    |  | H8865-AA    |
-

---

## LED Codes

---

<b>Solid</b>	<b>Action</b>
■●●●●●	Ensure cache module is installed and operating. If error persists, replace controller.
■●●●●○	Replace controller
■●●●●○	Replace program card with latest HSOF software version
■●●●○●	Replace controller
■●●●○●	Replace controller
■●●●○●	Reset controller
■●●●○●	Reset controller
■●●●○●	Reset controller
■●●○●●	Replace controller
■●●○●●	Replace controller
■●●○●●	Reset controller
■●●○●●	Ensure program card contains latest HSOF software version. If error persists, replace controller.
■●●○●○	Replace program card
■●●○●●	Reset controller
■●●○●○	Reset controller
■●○●●●	Ensure SIMMs are installed correctly. If cache is mirrored, ensure both modules contain the same amount of memory.
■●○●●○	Ensure PVA IDs are set correctly for each enclosure in subsystem
■●○●●●	Set PVA ID to 0. If problem persists, replace PVA. If problem persists, replace EMU. If problem persists, replace enclosure.
■●○●●○	Ensure all SCSI buses have an I/O module. If problem persists, replace failed I/O module.
■●○●●●	Ensure enclosure's I/O buses are terminated. If problem persists, replace failed I/O module.
■●○●●○	Ensure I/O modules are compatible. See release notes.
■●○●●○	Upgrade either the EMU microcode or the HSOF software so that they're compatible. See release notes.
■○○○○○	Ensure program card is properly installed then reset controller. If error persists, try card in another controller. If error persists, replace card, otherwise replace controller.

<b>Flashing</b>	<b>Action</b>
■○○○○●	Replace program card
■○○●●●	Replace program card
■●○○●●	Replace enclosure
■●○○●○	Replace enclosure
All other LEDs	Replace controller