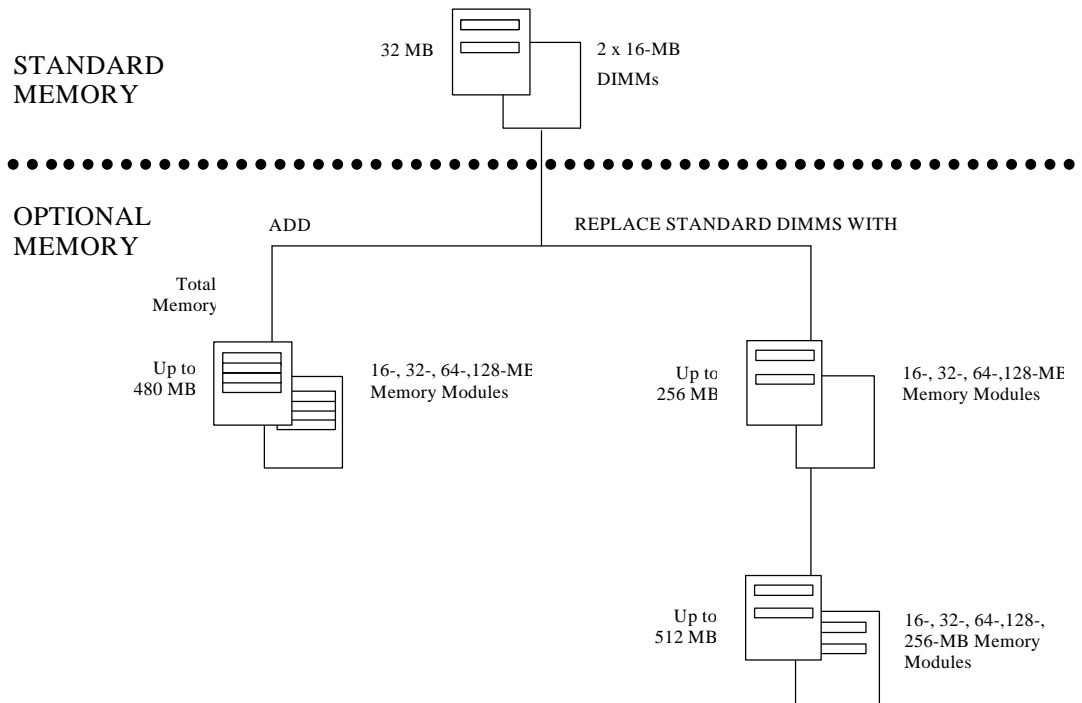


MEMORY

Compaq Professional
Workstation 5100

Compaq Professional Workstation 5100 (32 MB)



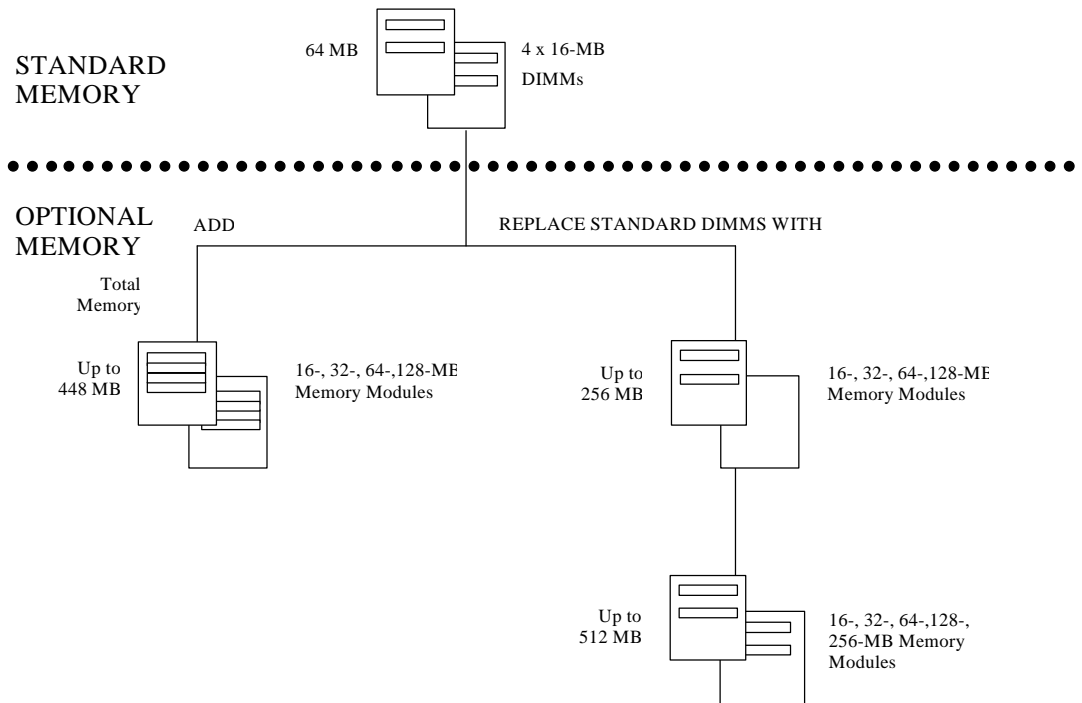
Notes:

The Compaq Professional Workstation 5100 has two groups of DIMM slots on the system board. Each group contains four slots for a total of eight DIMM slots. Memory must be added in like pairs of memory modules and must be populated in alternating slots. For example, to add 32 MB of memory, two 16 MB memory modules must be added at the same time. Maximum memory can be reached by populating all DIMMs in a single group, however, memory pairs should be divided between the two groups for optimal performance. If memory exceeds 512 MB, the unit will not boot.

Following are the memory options available from Compaq:

- 16-MB Memory Module (ECC, EDO, DIMM, 60 ns) 270172-B21
- 32-MB Memory Module (ECC, EDO, DIMM, 60 ns) 271907-001
- 64-MB Memory Module (ECC, EDO, DIMM, 60 ns) 271908-001
- 128-MB Memory Module (ECC, EDO, DIMM, 60 ns) 271909-001
- 256-MB Memory Module (ECC, EDO, DIMM, 60 ns) 271910-001

Compaq Professional Workstation 5100 (64 MB)



Notes:

The Compaq Professional Workstation 5100 has two groups of DIMM slots on the system board. Each group contains four slots for a total of eight DIMM slots. Memory must be added in like pairs of memory modules and must be populated in alternating slots. For example, to add 32 MB of memory, two 16 MB memory modules must be added at the same time. Maximum memory can be reached by populating all DIMMs in a single group, however, memory pairs should be divided between the two groups for optimal performance. If memory exceeds 512 MB, the unit will not boot.

Following are the memory options available from Compaq:

- 16-MB Memory Module (ECC, EDO, DIMM, 60 ns) 270172-B21
- 32-MB Memory Module (ECC, EDO, DIMM, 60 ns) 271907-001
- 64-MB Memory Module (ECC, EDO, DIMM, 60 ns) 271908-001
- 128-MB Memory Module (ECC, EDO, DIMM, 60 ns) 271909-001
- 256-MB Memory Module (ECC, EDO, DIMM, 60 ns) 271910-001

