

SCI6-3D

User's Manual

Version 1.0

©Copyright Aztech Systems Ltd

The software described in this manual is protected by international copyright laws. Under this copyright law, you are prohibited from duplicating the software for any purpose other than making archival copies for the sole purpose of backing-up against loss.

In addition, no part of this manual may be reproduced or transmitted, in any form or by any means, electronic or mechanical, including photocopying, recording, or information storage and retrieval systems, for any purpose other than the purchaser's personal use, without the prior written permission of Aztech Systems Ltd.

- Microsoft, MS-DOS, Windows and Windows NT are registered trademarks of Microsoft Corp.
- Sound Blaster is a registered trademark of Creative Technology Ltd.
- Voyetra is a registered trademark of Voyetra Technologies Inc.
- All other company or product names are trademarks or registered trademarks or service marks of their respective owners and are hereby recognized as such.

Disclaimer Statement






Aztech Systems Ltd specifically disclaims all warranties, either expressed or implied, including but not limited to implied warranties of merchantability and fitness for a particular purpose, with respect to the hardware, software, and the accompanying written materials. Aztech Systems Ltd reserves the right to revise or make improvements to its product at any time and without obligation to notify any person of such revisions or improvements.

In no event shall Aztech Systems Ltd be liable for any consequential or incidental damages, including any loss of business profits or any other commercial damages, arising out of the use of its product.

Printed in Singapore

P/N: 040-002367-102

Table of Contents

<p>CHAPTER </p>	<p>Setting Up Your Sound Card.....</p> <p>1.1 Minimum System Requirements.....</p> <p>1.2 Safety Precaution.....</p> <p>1.3 Installation Notes.....</p> <p>1.4 Installing the Sound Card.....</p> <p>1.5 Connecting the Sound Card.....</p>	<p>5</p> <p>6</p> <p>6</p> <p>7</p> <p>8</p> <p>12</p>
<p>CHAPTER </p>	<p>Installing the Sound Card Drivers and Utilities.....</p>	<p>13</p>
<p>APPENDIX </p>	<p>Frequently Asked Questions.....</p>	<p>19</p>
<p>APPENDIX </p>	<p>Technical Specifications.....</p>	<p>21</p>
<p>APPENDIX </p>	<p>Sound Card Layout.....</p>	<p>23</p>

This page has been intentionally left blank.

CHAPTER



Setting Up Your Sound Card

Thank you for buying the SC16-3D Sound Card.

With its many high-fidelity features including Full Duplex audio drivers and compliance to major sound standards in the industry, the SC16-3D Sound Card provides the ultimate PC audio performance.

In addition, your sound card package comes with a comprehensive set of software applications that allow you to add the impact of sound to virtually every computing tasks. From adding voice annotations to your documents to creating multimedia applications, your sound card and its bundled software will greatly enhance your office productivity and home entertainment.

1.1 Minimum System Requirements

- § PC-based computer.
- § ISA Bus slot.
- § 640KB RAM on-board for computers running DOS (2MB RAM and above for computers running Windows® 3.1 and above).
- § 10MB hard disk space (system files and audio drivers only).
- § CD-ROM drive.
- § DOS 3.0, Windows® 3.1, Windows® 95 or Windows NT® 4.0.

1.2 Safety Precaution

- § Do not remove your sound card from its protective bag until you are ready to install it.
- § Always try to hold your sound card by its edges. Avoid touching any electronic components on your sound card.
- § Static electricity can cause permanent damage to your sound card. To prevent such a damage, you must ground yourself while installing the card. You can do this in either of two ways :
 - » Use a grounding strap, which is a coiled wire with a clip at one end and an elastic strap at the other. Wear the strap around your wrist and attach the clip to any non-painted metal surface of the computer's chassis.
 - » If you do not have a grounding strap, touch any non-painted surface of the computer's chassis before you begin installation, and again every minute or so until the installation is completed.

1.3 Installation Notes

§ Computers come in different shapes and sizes. Therefore, the installation procedures in this chapter apply generally and you should compare the illustrations here with your computer before you start the sound card installation.

§ A Philips-type Screwdriver is required for the sound card installation.

§ Your computer's documentation should come in handy during the sound card installation. Have it ready by your side when you start the sound card installation.

§ If you have an existing sound card (that is non-Plug-and-Play-based) installed in your computer, you must first un-install its audio drivers before you remove the sound card. Refer to your existing sound card documentation for more details on this.

If your existing sound card is Plug-and-Play-based, then you can safely proceed to install your new sound card.

§ There is a Jumper Block (J1) on your sound card which allows you to switch between "Line-Out" and "Speaker" mode.

If you are using an amplified/active speakers with your sound card, leave this jumper at its current default setting ("Line-Out" mode). However, if you are connecting a normal speaker to your sound card, switch this jumper to the "Speaker" mode.

Refer to Appendix C for the location of Jumper Block (J1).

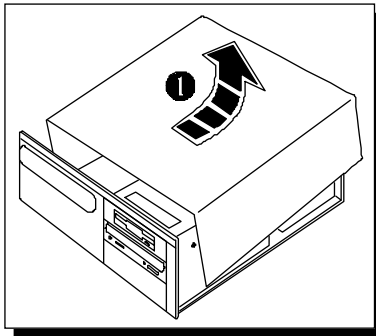
1.4 Installing the Sound Card



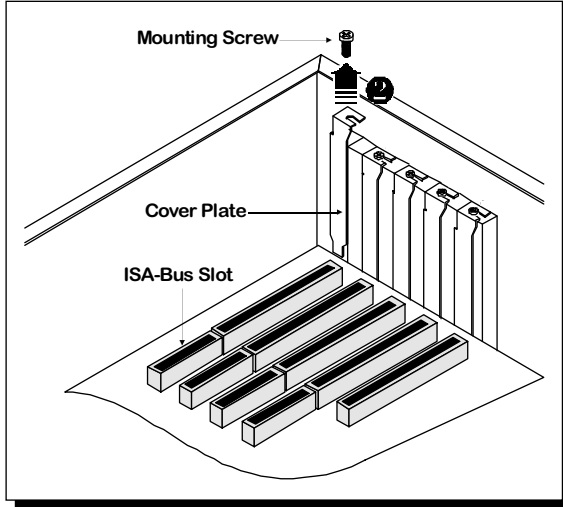
You need to remove any existing sound card installed in your computer. Note that if the sound card is non-Plug-and-Play-based, you need to un-install its audio drivers before you remove it. Check your existing sound card documentation for details on this.

Remember to switch off your computer and any connected devices before starting with the installation of your sound card.

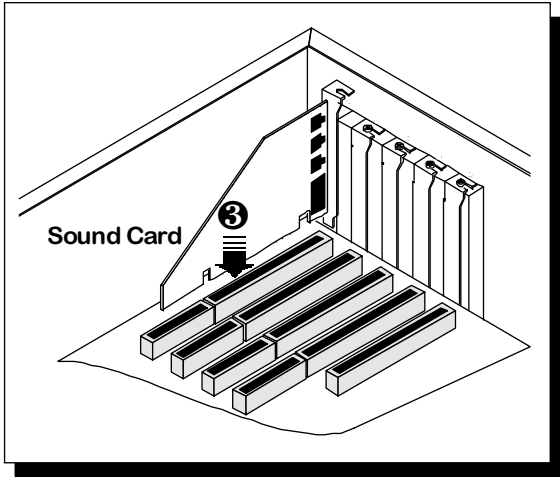
- 1 Remove your computer's chassis cover and set it aside somewhere out of your way.



- 2 Select an available ISA Bus slot. If necessary, remove its cover plate. Keep the mounting screw to secure your sound card later.



- ③ Align your sound card with the selected ISA Bus slot and firmly push it into the slot. If the sound card will not slide in, do not force it. Make sure the sound card is lined up properly and try again.

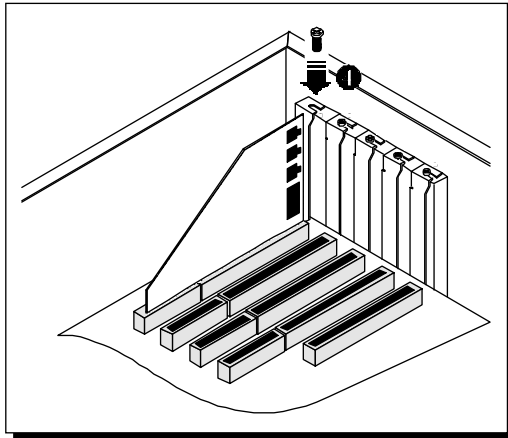


- ① Secure your sound card to the computer chassis with a mounting screw.

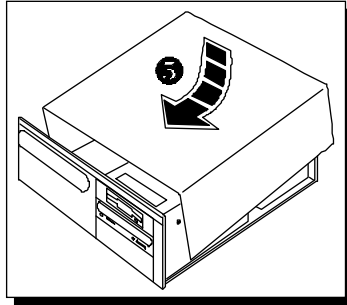


You may wish to connect your CD-ROM audio cable to the sound card (this cable should be supplied with the CD-ROM drive). However, as CD-ROM audio cables are not well standardized, you need to make sure that your CD-ROM audio cable is suited for use with the sound card.

The location of the CD Audio connector on the sound card and its pin-out information can be found in Appendix C of this user's manual.

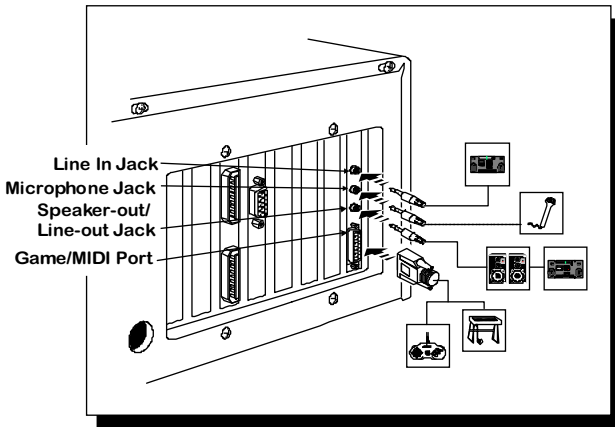


- 7 Replace your computer's chassis cover.



1.5 Connecting the Sound Card

You connect a variety of audio equipment to your sound card as shown in the illustration below:



CHAPTER

2

Installing the Sound Card Drivers and Utilities

This chapter contains information on how to install your sound card drivers and the multimedia software.



If you are using Windows® 3.1 or Windows NT® 4.0, please refer to the Readme.txt file found on the “root” directory of the Multimedia Workstation CD for more details on installing the sound card drivers.

1. Turn on your computer to start Windows® 95.

Windows® 95 will detect the newly-installed sound card and an **Update Device Driver Wizard** window will appear.



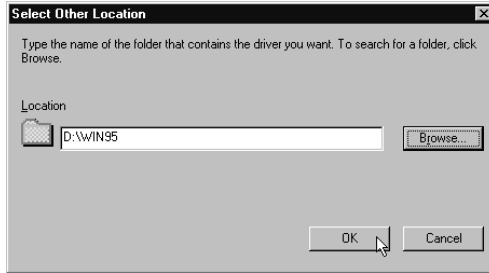
2. Place the **SC16-3D Multimedia Gallery CD** in the CD-ROM drive and click the **Next** button.

Windows® 95 will now prompt you that the sound card drivers are not found.



3. Click the **Other Location...** button to locate the sound card drivers on the **SC16-3D Multimedia Gallery CD**.

The **Select Other Location** window will appear.



4. Type **D:\WIN95** in the text box and click **OK**. (Assuming your CD-ROM drive is D. If not, substitute the drive letter accordingly.)

Windows® 95 will now prompt you that the sound card drivers have been located.

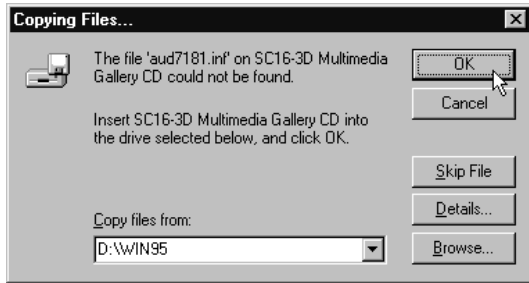


- 5. Click the **Finish** button to continue with the installation.



- 6. When the **Insert Disk** window appears, click on the **OK** button to continue with the installation.

The **Copying Files...** window will appear.



- 7. Type **D:\WIN95** in the text box and then click **OK**. (Assuming your CD-ROM drive is D. If not, substitute the drive letter accordingly.)



8. When the copying of files is completed, Windows® 95 may prompt you for the Windows® 95 CD. This usually happens if you did not install any Windows® 95 multimedia applications previously. If this occurs, follow the instructions below:
 - (i) Place the Windows® 95 CD in the CD-ROM drive and then click the **OK** button.
 - (ii) Specify where the required files can be found on the Windows® 95 CD and click **OK**.

This completes the installation of the sound card drivers in Windows® 95.

Installation of the Multimedia Software

1. Place the **SC16-3D Multimedia Gallery CD** in the CD-ROM drive.
2. From the Windows® 95 taskbar, click the **Start** button and then click **Run**.
3. Type **D:\CLEF\SETUP.EXE** in the text box and then click **OK**. (Assuming your CD-ROM drive is D. If not, substitute the drive letter accordingly.)
4. After the multimedia software has been installed, a **Clef Studio 3.0** program group containing the multimedia applications will be created.

This page has been intentionally left blank.

APPENDIX



Frequently Asked Questions

You may encounter some problems or doubts while installing or using your sound card. This chapter highlights some of the more common issues concerning your sound card and their possible solutions. Reviewing this chapter can help you solve many problems and often eliminate the need for telephone assistance.



What operating system does my sound card support?



Your sound card was developed to operate in Windows® 95. However, we have included drivers to support Windows® 3.1 and Windows NT® 4.0.



Does my sound card support full-duplex operation?



Yes, your sound card supports full-duplex operation. If you are not able to obtain full duplex operation, download the latest audio drivers from our web site at www.aztech.com.sg.



Why is it that my sound card does not produce the 3-D sound effects?



Run the mixer in Windows® 95 and click the **Advanced** button. Check the 3D Sound Effect box.



My system does not detect the sound card when I boot up for the first time. What's wrong?




Make sure your sound card is fully inserted into the ISA Bus slot. However, if the sound card has been properly installed, do the following:

1. From the Windows® 95 task bar, click on **Start**.
2. Select **Settings** and then click on **Control Panel**.
3. Double-click the **System** icon.
4. Click the **Device Manager** tab.
5. Check whether there is any yellow exclamation mark (error) on each of the devices in **Sound, video and game controllers**. If yes, remove all devices and re-install the sound card drivers. Refer to Chapter 2 of this user's manual for details on installing the audio drivers.



APPENDIX



Technical Specifications†

§ Sound Standards Compatibility

- » Sound Blaster 2.0 and Sound Blaster Pro II compliant
- » AdLib compliant
- » General MIDI compliant
- » Roland MPU401 UART compliant

§ Audio Features

- » 16-/8-bit Stereo Digital Sound Recording and Playback
- » Full-duplex audio driver
- » Interrupt-driven, 8-bit DMA or programmable I/O transfer
- » Selectable sampling rate of up to 48kHz
- » Dynamic range exceeds 80dB with digital interpolation filter

§ **Stereo Analog/Digital Mixer**

- » Digital Recording Source selectable from:
 - Mono Microphone Input
 - Stereo Line-in
 - Stereo CD-Audio
 - Stereo FM Synthesizer Music
 - Mixing of PCM (digital) Audio and any of the above

§ **Stereo FM Music Synthesizer producing 20 independent stereo voices of FM synthesized sounds.**

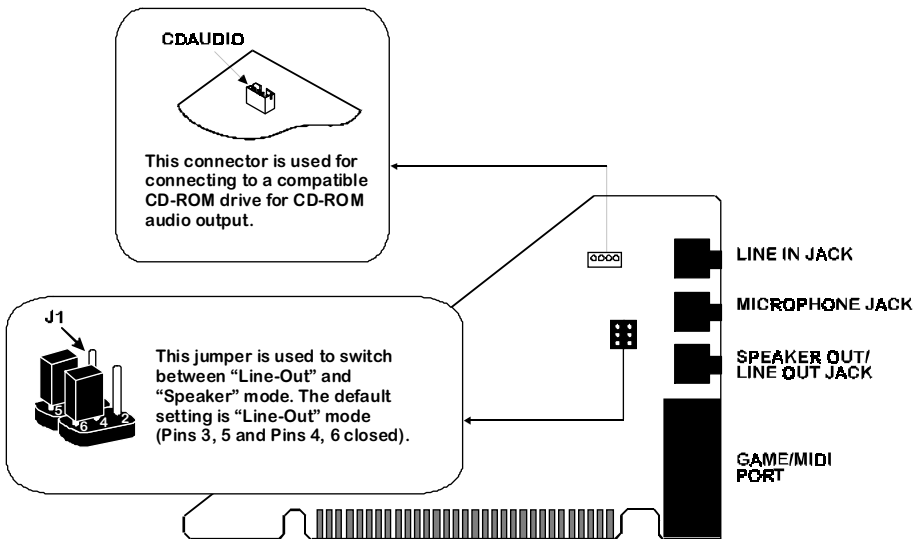
§ **Built-in Stereo 3-D Sound Effects**

† *The product specifications herein are subject to change without prior notifications.*

APPENDIX



Sound Card Layout



This page has been intentionally left blank.