

Setting up Half-Life/Counter Strike for DSL305E/EU

For DSL305E

There is no special setup for this model.

For DSL305EU

To setup a Server for playing Online, you need to setup the DSL305EU to open up **UDP** port **27015** on a specify **IP**.

1. Click on Port Forwarding or PAT.
2. Key in **27015** on **Public** and **Private** Port.
3. Specify the LAN IP address on the **Host IP Address** to be a Server.
4. Click **Add This Setting**.
5. Click **Save Settings** to save.

Add new rule:

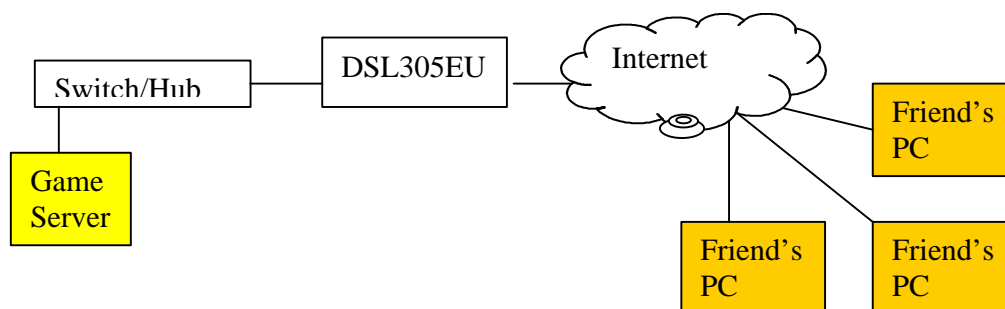
ID	Public Port	Private Port	Port Type	Host IP Address	
2			<input checked="" type="radio"/> TCP <input type="radio"/> UDP		Add This Setting

Existing rules:

ID	Public Port	Private Port	Port Type	Host IP Address	
1	27015	27015	UDP	192.168.1.14	Delete This Setting

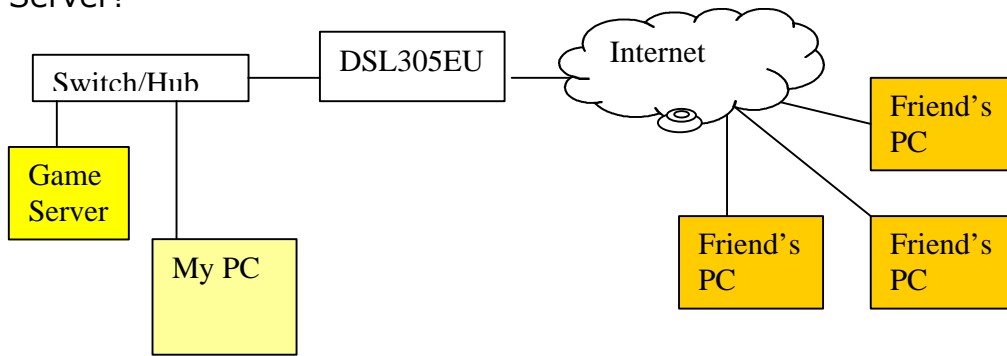
Please ensure to click [Save Settings](#) for settings to take effect.

Question: How can my friends from his PC join my game sever?
(Not on the same LAN)



Answer: Your Game Server will authenticate with WON server and your Game Server s game name will list out when you do an Update. Alternative you can also Add IP to find the Game Server.
Note: The Game Server s game name is not the name of your Game Server.

Question: How can both my friends and I log in to my Game Server?



Answer: Your friends will log in to the game server as describe above. For your PC, you need to install IPX protocol on you PC and Game Server. Please check your PC manufacture on how to add IPX protocol to your systems. Once install, you will log in the Game Server using **Play On LAN**. Refresh the list to get the Game Server info. Highlight the Game Server and Click **Join Game** to play.

For More information on setting up Game Server for Half-life and Counter Strike please visit:

<http://www.forumplanet.com/counterstrike/topic.asp?fid=4955&tid=691073>