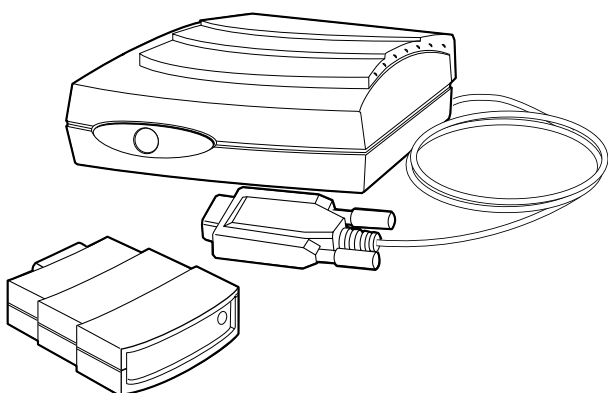


Installation and Reference Guide



AIRport 1500

Model Number: APA-9315

External Infrared Adapter

adaptec[®]

1 AIRport 1500 Features

The AIRport™ 1500 external infrared adapter allows you to easily transfer files between a desktop computer and a portable computer with a built-in IrDA-compliant infrared adapter, without using cable connections. (You can also use AIRport devices to transmit files between two desktop computers.)

AIRport 1500 easily connects to your PC's serial (COM) port. After you install IrDA-compliant data communication software, you assign a COM port address to the AIRport 1500 as you would for a mouse or an external modem. Then you point the AIRport 1500 at the infrared adapter on your other computing device and begin transmitting files.

On most PCs, AIRport 1500 draws enough power from the COM port to transmit files at a distance of 1 meter (39.4 inches) between the infrared devices (this is the IrDA standard).



Note: If your PC does not provide enough COM port power or if you want to transmit files at distances up to 2 meters (78.8 inches), you can alternatively power the AIRport 1500 with an AC adapter.

AIRport 1500 supports the following data transfer rates (bits per second):

- 9,600
- 19,200
- 38,400
- 57,600
- 115,200

This device complies with part 15 of the FCC Rules. Operation is subject to the following two conditions: (1) this device may not cause harmful interference, and (2) this device must accept any interference received, including interference that may cause undesired operation.

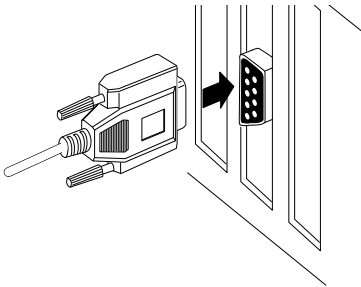
2 Installing AIRport 1500

- 1 Locate a COM (serial) port on the back of your PC. Most COM ports use 9-pin male connectors.

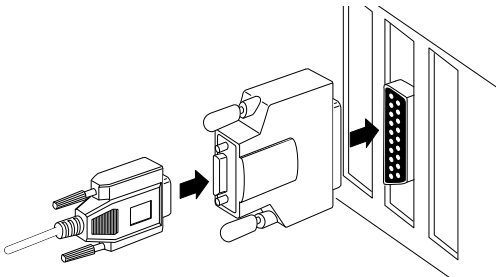


Note: If all your PC's COM ports are already used by a mouse and/or an external modem, you must install an add-in board with additional COM ports.

- 2 Insert the 9-pin AIRport 1500 connector in the 9-pin COM port, as shown in the following diagram.

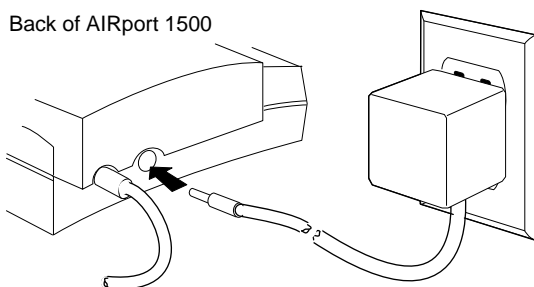


If your PC has a 25-pin connector, you must use a 9-pin-to-25-pin converter, as shown in the following diagram.

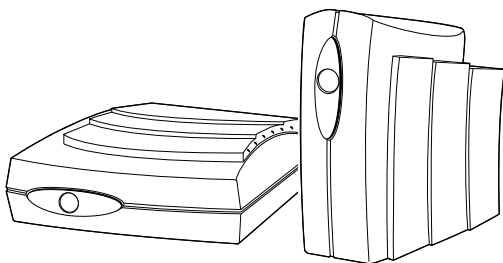


- 3 If your PC's COM port does not provide sufficient power or if you want to transmit files at distances greater than 1 meter (up to 2 meters), connect an AC adapter. You do this by plugging the adapter into a standard AC power outlet and inserting the plug into the socket next to the AIRport 1500

cable, as shown in the following diagram. (See *Power Options* on page 4 for more information.)



- 4 Place the AIRport 1500 on a hard, flat, level surface at least 1 foot away from your PC monitor.
- 5 Point the AIRport 1500 lens directly at the infrared port in the other computing device. Be sure there are no books, papers, or other objects between the devices. You can place the AIRport 1500 in either of the two positions shown in the following diagram:



See *Positioning for Data Transfer* on page 5 for more information.

- 6 Start the data transfer software on both PCs. If you are using your AIRport 1500 for the first time, you may need to configure data transmission rates and COM ports. See the software documentation.

3 Using AIRport 1500

Software Support

AIRport 1500 requires file management software that supports infrared data transfer and the IrDA standard. This software may have been included with your AIRport 1500 when you purchased it. If not, you can obtain the software separately.

Power Options

Here is how AIRport 1500 automatically selects a power source.

- If you do not use an AC adapter, AIRport 1500 draws power from the COM port to which it is connected.
- If you use an AC adapter, AIRport 1500 draws power from the adapter. If the adapter is disconnected, it draws power from the COM port.

AC Adapter

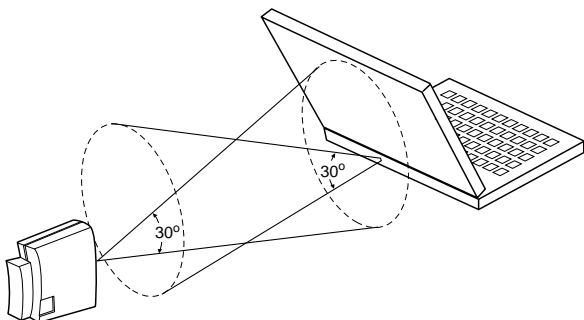
Here are the specifications for AC adapters used with AIRport 1500:

- 6 V DC at 50 milliamps minimum
- 2.1 mm connector, with negative center post

You can order an AC adapter from Adaptec at the telephone number listed on page 7, or you can purchase one at any electronics supply store.

Positioning for Data Transfer

Typically, you connect an AIRport 1500 to your desktop computer to enable wireless communication with a built-in infrared device on a laptop or portable PC. The AIRport 1500 infrared lens must be in a direct line of sight with the infrared lens on the other computing device. AIRport 1500 and other IrDA-compliant infrared devices transmit data in a 30-degree cone of infrared light, as shown in the following diagram.



Be sure that both infrared devices are within this 30-degree cone. File transmission will fail if one of the devices is turned too far to the right or left or is much higher or lower than the other device.

Advanced Power-saving Feature

AIRport 1500 has no power switch. It shuts down automatically when you unplug it from the COM port or when a command from the file management software turns it off.

4 Troubleshooting

Check this list if your two computers cannot successfully transfer files with the infrared devices.

- Be sure that IrDA-compatible data management software is installed and running on both computing devices.
- Be sure that connectors and power cords are firmly connected.
- Be sure the AIRport 1500 infrared lens is clean and free of dust.

- Be sure the infrared lenses are pointed directly at each other.
- Be sure the infrared devices are 0–1 meter (0–39.4 inches) apart when using COM port power or 0–2 meters (0–78.8 inches) apart when using an AC adapter.
- Be sure there are no papers, books, or other obstructions between the infrared devices.
- Be sure that strong sunlight or incandescent light (for example, a desk lamp) is not shining directly on the infrared lenses.
- Be sure the infrared devices are at least a foot away from computer monitors and other sources of magnetic radiation.
- Use an AC adapter if files do not transmit reliably when the AIRport 1500 draws power from the COM port. If this does not solve the problem, change to a slower data transmission rate.
- To avoid interference, *do not* point wireless headphones, television remote control units, or other sources of infrared radiation at the AIRport 1500 while it is in use.

5 Adaptec Customer Support

If you have questions about installing or using your AIRport 1500, check this document first—you will find answers to most of your questions here. If you need further assistance, please contact us. We offer the following support and information services:

- For technical support (answers to technical questions, information about the Adaptec BBS, FTP and WWW Servers, and access to the Interactive Fax system), call 800-959-SCSI (7274) or 408-945-2550, 24 hours a day, 7 days a week. To speak with a product support representative, call 408-934-SCSI (7274), M–F: 6:00 a.m. to 5:00 p.m., Pacific Time.
- For sales information, call 800-959-SCSI (7274) or 408-945-2550, M–F: 6:00 a.m. to 5:00 p.m., Pacific Time.
- The Adaptec Electronic Bulletin Board Service (BBS) provides information on software upgrades, answers to common questions, and other topics. The BBS is available 24 hours a day, 7 days a week, at 408-945-7727; 1200/2400/9600/14,400/28,800 baud, 8 data bits, 1 stop bit, no parity.
- The Adaptec FTP and WWW Servers provide information on software upgrades, product literature, answers to common questions, and other topics. The FTP and WWW Servers are available from the Internet 24 hours a day, 7 days a week, at ftp.adaptec.com and <http://www.adaptec.com>.

- The Adaptec Interactive Fax system provides answers to common questions, product literature, and current information about Adaptec products and services. The Adaptec Interactive Fax system is available 23 hours a day, 7 days a week. The Fax system is out of service 1 hour each day. You can call this service directly at 408-957-7150.
- To order Adaptec software and AC adapters, call 800-442-SCSI (7274) or 408-957-SCSI (7274), M-F: 6:00 a.m. to 5:00 p.m., Pacific Time.
- To request additional documentation for Adaptec products, call 800-934-2766 or 510-732-3829, M-F: 6:00 a.m. to 5:00 p.m., Pacific Time.

FCC Compliance Statement

NOTE: This equipment has been tested and found to comply with the limits for a Class B digital device, pursuant to Part 15 of the FCC rules. These limits are designed to provide reasonable protection against harmful interference in residential installations. This equipment generates, uses, and can radiate radio frequency energy, and if not installed and used in accordance with the instructions, may cause harmful interference to radio communications. However, there is no guarantee that interference will not occur in a particular installation.

If this equipment does cause interference to radio or television equipment reception, which can be determined by turning the equipment off and on, the user is encouraged to try to correct the interference by one or more of the following measures:

- Reorient or relocate the receiving antenna
- Move the equipment away from the receiver
- Plug the equipment into an outlet on a circuit different from that to which the receiver is powered
- If necessary, the user should consult the dealer or an experienced radio/television technician for additional suggestions

CAUTION: Only equipment certified to comply with Class B (computer input/output devices, terminals, printers, etc.) should be attached to this equipment, and must have shielded interface cables.

Finally, any changes or modifications to the equipment by the user not expressly approved by the grantee or manufacturer could void the user's authority to operate such equipment.

Each infrared adapter is equipped with an FCC compliance label that shows only the FCC identification number. The full text of the associated label follows:

This device complies with part 15 of the FCC rules. Operation is subject to the following two conditions: (1) this device may not cause harmful interference and (2) this device must accept any interference received, including interference that may cause undesired operation.

Adaptec, Inc.

691 South Milpitas Blvd.
Milpitas, CA 95035

Copyright © 1995, Adaptec, Inc. All rights reserved. Adaptec, the Adaptec logo, and AIRport are trademarks of Adaptec, Inc. which may be registered in some jurisdictions. All other trademarks are owned by their respective owners.

Printed in Singapore

Stock No.: 510832-00, Rev. B KL 5/95

Information subject to change without notice.