

# Hardware Installation Guide



## CardPark APA-4510

ISA-to-PCMCIA Card Adapter for Desktop PCs

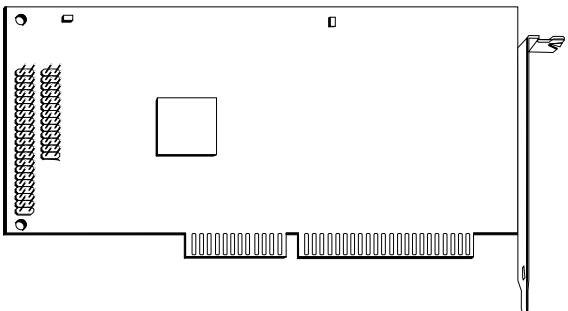
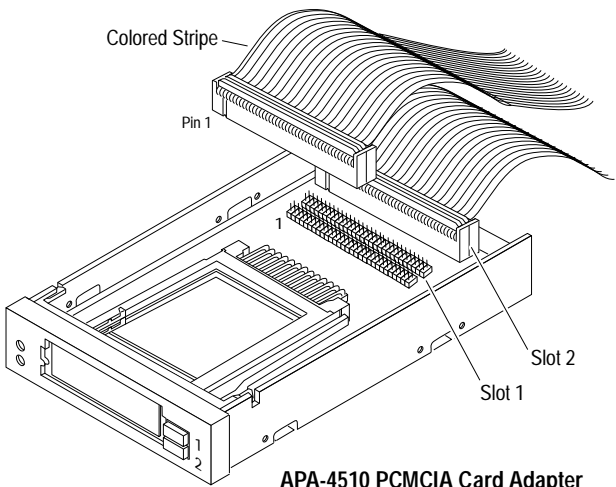
**adaptec**<sup>®</sup>

# 1 Getting Started

The CardPark™ APA™-4510 is a PCMCIA card adapter designed for accessing PCMCIA cards from your desktop PC. This guide explains how to install the APA-4510 in your PC. The following is a list of requirements:

- An IBM-AT compatible PC
- DOS 5.0 or above
- Microsoft Windows 3.1 or above (optional)
- An available ISA-bus expansion slot in your PC
- An available drive bay in your PC (accessible from the front panel)
- 1 MByte or more available hard disk space

The following diagrams show the APA-4510 components.



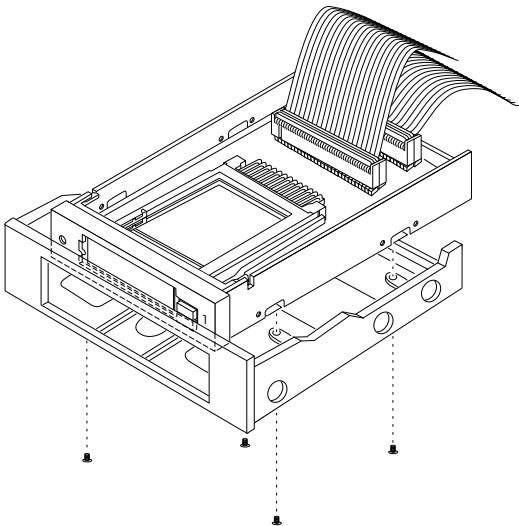
## 2 Installing the PCMCIA Card Adapter



**WARNING:** Turn OFF and disconnect the power to your PC and attached devices before you begin.

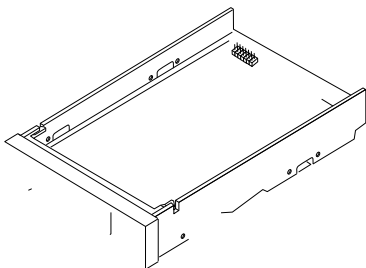
- 1 Touch an unpainted surface of your PC chassis; this allows any static electricity in your body to be dispersed and prevents damage to components.
- 2 Remove the PC's chassis cover.
- 3 Remove the drive bay cover on an empty drive bay in your PC. If you do not have an empty drive bay, remove an unused device from your PC.
- 4 The card adapter fits easily into a 3.5-inch drive bay. If your empty drive bay is 3.5 inches wide, skip to step 5.

If you need to install the card adapter into a 5.25-inch drive bay, mount the card adapter onto the 5.25-inch mounting bracket and secure it with four screws provided in your kit.



Mounting the Card Adapter onto the  
5.25-inch Mounting Bracket

- 5 Make sure the circuit board in the card adapter is facing upward and that the cables are securely attached to the card adapter.
- 6 Insert the card adapter (or card adapter with mounting bracket) into the front of the drive bay, guiding the cables out the back of the drive bay. Stop inserting when it is flush with the front of the PC chassis.



- 7 Secure the card adapter or mounting bracket to the PC chassis with four screws provided in your kit.

## Connecting the Interface Cables

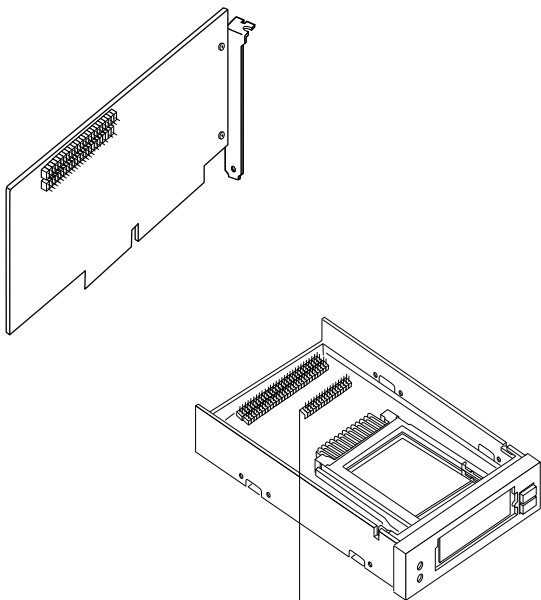
- 1 Hold the two connectors together tightly on the ribbon cable from Slot 1 on the card adapter and connect it to the 100-pin header on the ISA-bus host adapter labeled Slot 1. Make sure the two connectors are correctly aligned with the 100-pin header.



---

**Caution:** Match pin 1 on the ribbon cable with pin 1 on the connector. Pin 1 on the ribbon cable is marked with a contrasting color on one edge of the cable, and pin 1 on the connector is marked with a '1'.

---

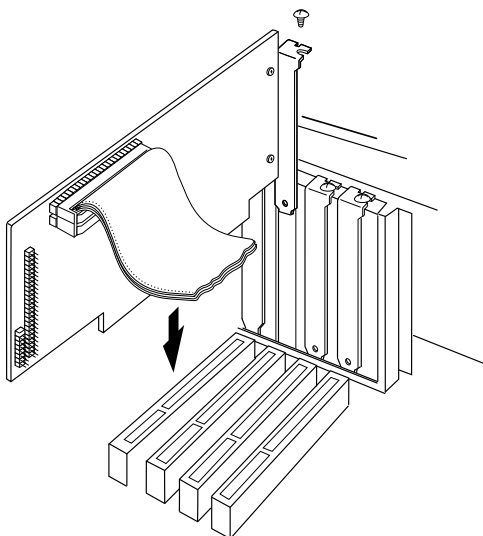


- 2 Hold the two connectors together tightly on the ribbon cable from Slot 2 on the card adapter and connect it to the 100-pin header on the ISA-bus host adapter labeled Slot 2. Make sure the two connectors are correctly aligned with the 100-pin header. Match pin 1 on the ribbon cable with pin 1 on the connector.

## Installing the ISA-Bus Host Adapter

- 1 Touch an unpainted surface of your PC chassis; this allows any static electricity in your body to be dispersed and prevents damage to components.
- 2 Locate an unused ISA-bus expansion slot.
- 3 Remove the corresponding expansion slot cover from the PC chassis.
- 4 Align the bus connector on the bottom of the adapter with the ISA-bus slot. If the PC has a card

guide for aligning cards, be sure the end of the adapter is inserted in the card guide.



- 5 Carefully press the ISA-bus host adapter down into the slot.
- 6 Secure the adapter bracket to the PC chassis with the screw from the removed expansion slot cover.

## Reassembling and Starting the PC

- 1 Put the chassis cover back on the PC.
- 2 Be sure all power switches are in the OFF position, then reconnect power cables to your PC.
- 3 Turn ON the PC.
- 4 Install CardPark software as described in the *CardPark Software User's Guide*.

## Troubleshooting Checklist

If you have a problem during installation, check these items first:

- Does your PC meet the requirements listed on page 1?

- Is the ISA-bus host adapter correctly seated in an ISA-bus slot?
- Are all interface cables properly connected? Does pin 1 on the cables match pin 1 on the ISA-bus host adapter and the card adapter connectors?
- Are all power cables connected to a power source?
- Have you installed CardPark software?
- Is your PCMCIA card fully inserted and associated software installed?

Refer to the *CardPark Software User's Guide* for more troubleshooting tips.

## **7** Adaptec Customer Support

If you have questions about installing or using the host adapter, check this installation guide first—you will find answers to most of your questions here. If you need further assistance, please contact us. We offer the following support and information services:

- For technical support (answers to technical questions, information about the Adaptec BBS, and access to the Interactive Fax system), call 800-959-SCSI (7274) or 408-945-2550, 24 hours a day, 7 days a week. To speak with a product support representative, call 408-934-SCSI (7274), M–F: 6:00 a.m. to 5:00 p.m.
- For sales information, call 800-959-SCSI (7274) or 408-945-2550, M–F: 6:00 a.m. to 5:00 p.m.
- The Adaptec Electronic Bulletin Board Service (BBS) provides information on software upgrades, new releases, answers to common questions, and other topics. The BBS is available 24 hours a day, 7 days a week, at 408-945-7727; 1200/2400/9600/14,400/28,800 baud, 8 data bits, 1 stop bit, no parity.
- The Adaptec Interactive Fax system provides answers to common questions and current information about Adaptec products and services. The Adaptec Interactive Fax system is available 23 hours a day, 7 days a week. The Fax system is out of service 1 hour each day. You can call this service directly at 408-957-7150.
- To order Adaptec software and SCSI cables, call 800-442-SCSI (7274) or 408-957-SCSI (7274), M–F: 6:00 a.m. to 5:00 p.m., Pacific Time.
- To request additional documentation for Adaptec products, call 800-934-2766 or 510-732-3829, M–F: 6:00 a.m. to 5:00 p.m., Pacific Time.

## FCC Compliance Statement

NOTE: This equipment has been tested and found to comply with the limits for a Class B digital device, pursuant to Part 15 of the FCC rules. These limits are designed to provide reasonable protection against harmful interference in residential installations. This equipment generates, uses, and can radiate radio frequency energy, and if not installed and used in accordance with the instructions, may cause harmful interference to radio communications. However, there is no guarantee that interference will not occur in a particular installation.

If this equipment does cause interference to radio or television equipment reception, which can be determined by turning the equipment off and on, the user is encouraged to try to correct the interference by one or more of the following measures:

- Reorient or relocate the receiving antenna.
- Move the equipment away from the receiver.
- Plug the equipment into an outlet on a circuit different from used by the receiver.
- If necessary, consult the dealer or an experienced radio/television technician for additional suggestions.

Finally, any changes or modifications to the equipment by the user not expressly approved by the grantee or manufacturer could void the user's authority to operate such equipment.

This device complies with part 15 of the FCC rules. Operation is subject to the following two conditions: (1) this device may not cause harmful interference and (2) this device must accept any interference received, including interference that may cause undesired operation.

**Adaptec, Inc.**  
691 South Milpitas Blvd.  
Milpitas, CA 95035

Copyright © 1994, Adaptec, Inc. All rights reserved. Adaptec, the Adaptec logo, and APA are trademarks of Adaptec, Inc. which may be registered in some jurisdictions. All other trademarks used are owned by their respective owners.

Printed in Singapore  
Stock No.: 510691-00, Rev. A CV 10/94  
Information subject to change without notice.