

# Installation Guide

## AVA-2902E/I

### PCI-to-Fast SCSI Host Adapters



PCI SCSI Host Adapter with  
Internal or External Connector

 **adaptec®**

AVA-2902E/I Installation Guide  
Part Number: 511444-00, Rev. A  
Print Spec Number: 496495-00  
Current Date: 3/26/97      ECN Date: 4/2/97

## 1 Installing the Host Adapter and SCSI Device

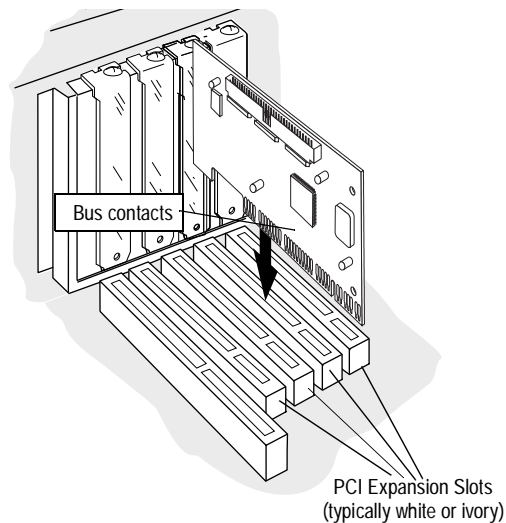


**WARNING:** Before you start, turn OFF power to the PC and disconnect the power cord. Then ground yourself by touching an unpainted surface of the PC case.

### Installing the AVA™ -2902I

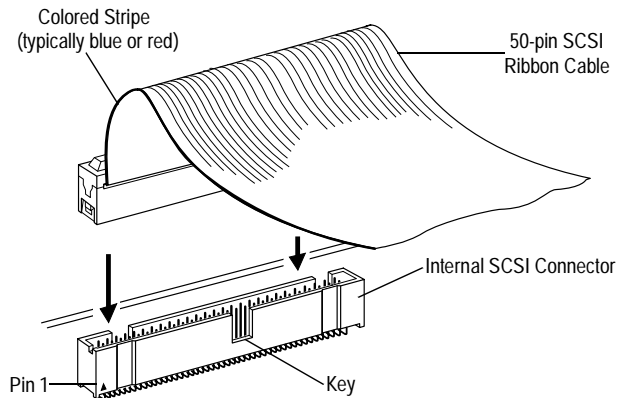
**Step 1:** Remove the cover from your PC, following the manufacturer's instructions.

**Step 2:** Find an unused PCI expansion slot in your PC. Insert the host adapter in the slot, pressing it down firmly so that the bus contacts are seated in the slot. (The AVA-2902I does not have a bracket.)

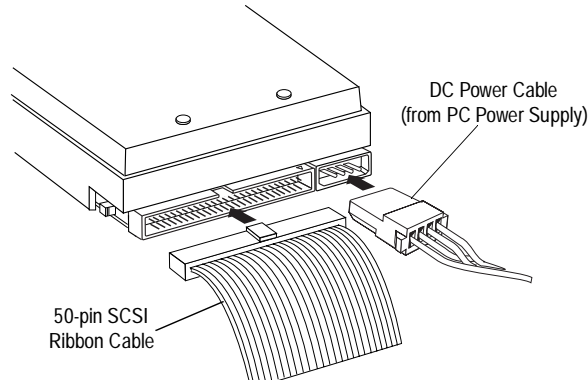


**Step 3:** Install and mount the internal SCSI device inside your PC. (See the SCSI device documentation for instructions on how to install and terminate the device.)

**Step 4:** Plug one end of the internal SCSI cable into the host adapter's SCSI connector. Be sure the colored stripe on the cable is aligned with Pin 1 (the ▲ mark) on the connector. The host adapter's internal connector is keyed to ensure that the cable is plugged in correctly.



**Step 5:** Plug the other end of the cable into the internal SCSI device. Then connect a DC power cable from your PC's power supply to the power input connector on the internal SCSI device.



**Step 6:** Replace the PC cover, reconnect the power cord, and turn ON the PC.

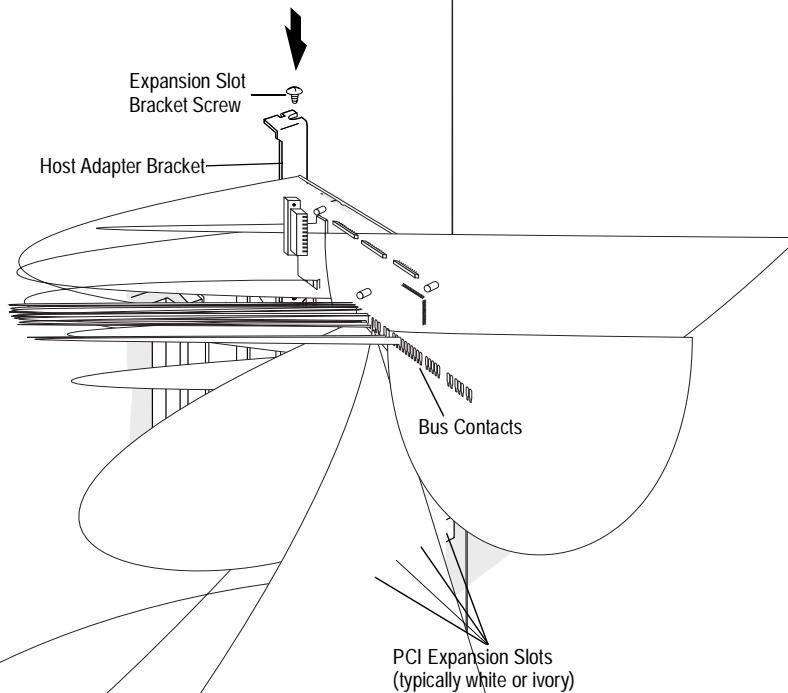
**Congratulations!** You have physically installed the host adapter and the internal SCSI device. You may need to install host adapter drivers and other software before you can use the device. For more information, see the device manufacturer's instructions and see *Installing Device Drivers* on page 4.

## Installing the AVA-2902E

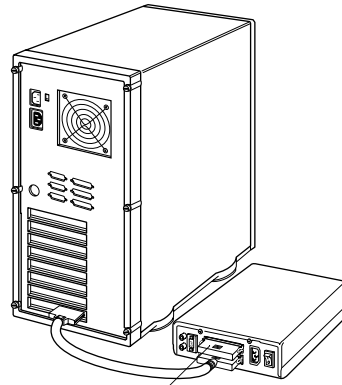
**Step 1:** Remove the cover from your PC, following the manufacturer's instructions.

**Step 2:** Find an empty PCI expansion slot in your PC. Unscrew the bracket screw and remove the expansion slot bracket that covers the card-slot opening.

**Step 3:** Insert the host adapter in the slot, pressing it down firmly so that the bus contacts are seated in the slot. Secure the host adapter bracket with the screw you removed in Step 2.



**Step 4:** Plug one end of the external SCSI cable into the host adapter's 25-pin external connector and plug the other end of the cable into either one of the connectors on the external SCSI device.



Terminating Plug

**Step 5:** Enable termination on the external SCSI device, if necessary. (See the SCSI device documentation for instructions on how to install and terminate the device.)

**Step 6:** Replace the PC cover. Connect power cables to the external device and the PC. Turn ON the external device, and then turn ON the PC.

**Congratulations!** You have physically installed the host adapter and the external SCSI device. You may need to install host adapter drivers and other software before you can use the device. For more information, see the device manufacturer's instructions and see the next section, *Installing Device Drivers*.

## 2 Installing Device Drivers

- **DOS and Windows<sup>®</sup> 3.x** do not have embedded driver support for the AVA-2902E/I host adapter and your SCSI device. If your PC is running under DOS or Windows 3.1, you must load these drivers yourself. If Adaptec's EZ-SCSI<sup>®</sup> software was included with your host adapter, follow the driver installation instructions in the EZ-SCSI documentation.

- **Windows® 95** has embedded driver support for the AVA-2902E/I host adapter. After you install the host adapter and reboot your PC, follow the onscreen instructions to complete the driver installation.
- **Versions 4.0 and 3.51 of Windows NT™** have embedded driver support for the AVA-2902E/I host adapter. Refer to the operating system documentation for instructions on loading these drivers. If you have Adaptec EZ-SCSI software or the Adaptec 7800 Family Manager Set, you can load an updated version of the Windows NT driver by following the instructions in the software documentation.

### **3** Technical Tips

- If your host adapter and SCSI device do not seem to be working properly, check these items first.
  - If you have an external SCSI device, did you turn it ON before you booted the PC?
  - Are all SCSI cables and power cables securely connected?
  - Is the host adapter firmly seated in the PCI slot?
  - Is the SCSI device terminated?
- You cannot boot your PC from a SCSI disk drive connected to the AVA-2902E/I host adapter, because the host adapter does not have a BIOS. Your PC must boot from another disk device.
- Does your PC's CMOS setup require you to enable PCI bus parameters? If so, refer to the PC documentation for instructions. Verify that IRQ channel assignment, board, and BIOS settings have been made.



**Note:** Some configuration options apply to a specific PCI bus slot, so be sure you apply any option changes to the slot in which the host adapter is installed. (Check the PC documentation for more information.)

- Here are some additional CMOS setup issues:
  - If there is an Interrupt Type or Interrupt Line option in the Setup program, select **Int-A** or **Interrupt Type = A**. Depending on your system design, you may also need to change a motherboard jumper setting.
  - If there is a Triggering Interrupt option, select **Level**.
  - If there is an option to enable or disable bus mastering for the PCI slots, select **Enabled**.
  - If there is an option to enable or disable individual PCI slots, be sure the slot in which you install the host adapter is **Enabled**.
  - If your PC has ISA or EISA boards in addition to the AVA-2902E/I adapter, you may need to mark the IRQs used by the ISA/EISA boards as *Used* so the system BIOS will not try to assign these IRQs to PCI boards.
  - In some PC systems the BIOS reserves a set of available IRQs for PCI boards, and you have to assign these IRQs manually.

#### FCC Compliance Statement

WARNING: Changes or modifications to this unit not expressly approved by the party responsible for compliance could void the user's authority to operate the equipment.

This equipment has been tested and found to comply with the limits for a Class B digital device, pursuant to Part 15 of the FCC rules. These limits are designed to provide reasonable protection against harmful interference in residential installations. This equipment generates, uses, and can radiate radio frequency energy, and if not installed and used in accordance with the instruction manual, may cause harmful interference to radio communications. However, there is no guarantee that interference will not occur in a particular installation. If this equipment does cause interference to radio or television equipment reception, which can be determined by turning the equipment off and on, the user is encouraged to try to correct the interference by one or more of the following measures:

- Reorient or relocate the receiving antenna
- Increase the separation between the equipment and receiver
- Connect the equipment to an outlet on a circuit different from that to which the receiver is connected
- Consult the dealer or an experienced radio/TV technician for a help

Use a shielded and properly grounded I/O cable and power cable to ensure compliance of this unit to the specified limits of the rules.

This device complies with part 15 of the FCC rules. Operation is subject to the following two conditions: (1) this device may not cause harmful interference and (2) this device must accept any interference received, including interference that may cause undesired operation.

Adaptec, Inc.

AVA-2902E/I



Tested To Comply  
With FCC Standards

FOR HOME OR OFFICE USE

### Canadian Compliance Statement

This Class B digital apparatus meets all requirements of the Canadian Interference-Causing Equipment Regulations.

Cet appareil numérique de la classe B respecte toutes les exigences du Règlement sur le matériel brouilleur du Canada.

### Adaptec, Inc.

691 South Milpitas Blvd.  
Milpitas, CA 95035

© 1997, Adaptec, Inc. All rights reserved. No part of this publication may be reproduced, stored in a retrieval system, or transmitted in any form or by any means, electronic, mechanical, photocopying, recording or otherwise, without the prior written consent of Adaptec, Inc., 691 South Milpitas Blvd., Milpitas, CA 95035.

Adaptec, the Adaptec logo, EZ-SCSI, and AVA are trademarks of Adaptec, Inc. which may be registered in some jurisdictions. Windows NT is a trademark, and Windows and Windows 95 are registered trademarks, of Microsoft Corporation in the U.S. and other countries used under license. All other trademarks used are owned by their respective owners.

The material in this document is for information only and is subject to change without notice. While reasonable efforts have been made in the preparation of this document to assure its accuracy, Adaptec, Inc. assumes no liability resulting from errors or omissions in this document, or from the use of the information contained herein. Adaptec reserves the right to make changes in the product design without reservation and without notification to its users.

Printed in Singapore

Stock No.: 511444-00, Rev. A KL 4/97

AVA-2902E/I Installation Guide

Part Number: 511444-00, Rev. A

Print Spec Number: 496495-00

Current Date: 3/26/97

ECN Date: 4/2/97