

INIC-950

PCI to UltraSCSI Single-Chip Bus Master Host Adapter

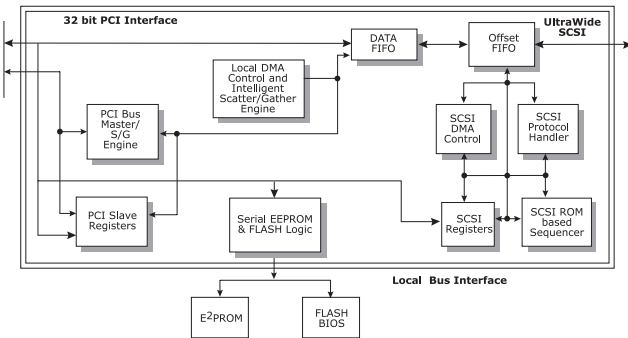


The Initio INIC-950, a single-chip PCI to Ultra/ UltraWide SCSI host adapter, provides a complete SCSI solution for PCI motherboard applications.

INIC-950 supports the latest UltraSCSI and UltraWide SCSI standards, transferring data at up to 40 MBytes/second and takes advantage of the 133 MBytes/second burst rate of the PCI bus to provide superb I/O performance. INIC-950 supports a wide range of popular operating systems and has been extensively tested over a large matrix of peripherals and systems.

In addition to the 16-bit UltraSCSI interface and 32-bit PCI 2.1 compliant interface, INIC-950 has a memory interface to access EEPROM and Flash. INIC-950 has a SCSI protocol processor which handles all of the SCSI bus phases. The chip also provides support for external SCSI bus terminators and SCAM level 1. INIC-950 has an on-chip advanced SCSI I/O cell which is capable of adjusting the slew rate on the SCSI signals to ensure signal integrity over different cabling environments. INIC-950 is available in a 160-pin PQFP.

Initio assures the widest range of operating system support in the industry. Extensively tested and proven reliable, INIC-950 guarantees compatibility with DOS/Windows®, Windows95/98, Windows NT™, OS/2, SCO Unix, UnixWare, Novell NetWare, and Linux.



INIC-950 Block Diagram

● **FEATURES:**

● **SCSI Interface:**

- Dedicated SCSI processor for handling SCSI operations
- Supports both auto and programmable SCSI termination
- Supports Command Tag Queuing and Disconnect/Reconnect
- Advanced SCSI I/O cell capable of adjusting the SCSI signal slew rate
- SCSI transfer rates from 5 MB/s Asynchronous SCSI to 40 MB/s Synchronous UltraWide SCSI

● **PCI 32-bit Interface:**

- PCI 2.1 Compliant, burst transfer rates of 133 MB/s
- Built-in Integrated Scatter Gather execution engine

● **ADDITIONAL FEATURES:**

- Support for FLASH and EEPROM
- Full driver support for all of the major Operating Systems
- Provides ASPI manager for DOS®, Windows® and NetWare®
- On-chip power management features to decrease the power consumption
- BIOS support for DOS and Windows application without driver involvement
- Plug & Play, allows user to change configuration without any need for jumpers



We Bring Innovative Solutions to Your I/O Needs.™

