

Please Note: In order to switch between Pro Logic mode and Stereo mode using the center button on the right satellite speaker, you must disconnect the USB cable. We recommend using the Audio Management Software to switch between Pro Logic mode and Stereo mode. If you have any questions, please do not hesitate to contact us at csupport@altecmm.com.

ADA305



TRUE **D I G I T A L** AUDIO™
| | | | | | | | | |

IMPORTANT



The lightning flash with arrowhead, within an equilateral triangle, is intended to alert the user to the presence of uninsulated "dangerous voltage" within the product's enclosure that may be of sufficient magnitude to constitute a risk of electric shock to persons.



Risque de choc électrique — Ne pas ouvrir
CAUTION: TO PREVENT THE RISK OF ELECTRIC SHOCK, DO NOT REMOVE COVER (OR BACK). NO USER-SERVICEABLE PARTS INSIDE. REFER SERVICING TO QUALIFIED SERVICE PERSONNEL.



The exclamation point within an equilateral triangle is intended to alert the user to the presence of important operating and maintenance (servicing) instructions in the literature accompanying the appliance.

SAFETY INSTRUCTIONS

Read Instructions — All the safety and operating instructions should be read before the appliance is operated.

Retain Instructions — The operating instructions should be retained for future reference.

Heed Warning — All warnings on the appliance and in the operating instructions should be adhered to.

Follow Instructions — All operating and use instructions should be followed.

Water and Moisture — The appliance should not be used near water – for example, near a bathtub, washbowl, kitchen sink, laundry tub, in a wet basement, or near a swimming pool, etc.

Outdoor Use — Warning: To reduce the risk of fire or electric shock, do not expose this appliance to rain or moisture.

Location — The appliance should be installed in a stable location.

Ventilation — The appliance should be situated so that its location or position does not interfere with its proper ventilation. For example, the appliance should not be situated on a bed, sofa, rug, or similar surface that may block the ventilation openings; or placed in a built-in installation, such as a closed bookcase or cabinet that may impede the flow of air through the ventilation openings.

Heat — The appliance should be situated away from heat sources such as radiators, heat registers, stoves, or other appliances (including amplifiers) that produce heat.

Power Sources — The appliance should be connected to a power supply only of the type described in the operating instructions or as marked on the appliance.

Power-Cord Protection — Power-supply cords should be routed so that they are not likely to be walked on or pinched by items placed upon or against them. Pay particular attention to cords at plugs, convenience receptacles, and

the point where they exit from the appliance.

Grounding or Polarization — The precautions that should be taken so that the grounding or polarization means of an appliance is not defeated.

Cleaning — The appliance should be cleaned only with a polishing cloth or a soft dry cloth. Never clean with furniture wax, benzene, insecticides or other volatile liquids since they may corrode the cabinet.

Non-Use Periods — The power cord of the appliance should be unplugged from the outlet when left unused for a long period of time.

Object and Liquid Entry — Care should be taken so that objects do not fall and liquids are not spilled into the enclosure through openings.

Damage Requiring Service — The appliance should be serviced by qualified service personnel when:

- The power-supply cord or the plug has been damaged.
- Objects have fallen, or liquid has been spilled into the appliance.
- The appliance has been exposed to rain.
- The appliance does not appear to operate normally or exhibits a marked change in performance.
- The appliance has been dropped or the enclosure damaged.

Servicing — The user should not attempt to service the appliance. Servicing should be referred to qualified service personnel or returned to the dealer or call the Altec Lansing service line for assistance.

WARNING

TO REDUCE THE RISK OF FIRE OR ELECTRIC SHOCK, DO NOT EXPOSE THIS APPLIANCE TO RAIN OR MOISTURE.

The FCC Wants You to Know

This equipment has been tested and found to comply with the limits for a Class B digital device, pursuant to Part 15 of the FCC rules. These limits are designed to provide reasonable protection against harmful interference in a residential installation. This equipment generates, uses and can radiate radio frequency energy and, if not installed and used in accordance with the instructions, may cause harmful interference to radio communications. However, there is no guarantee that interference will not occur in a particular installation. If this equipment does cause harmful interference to radio or television reception, which can be determined by turning the equipment off and on, the user is encouraged to try to correct the interference by one or more of the following measures:

- a) Reorient or relocate the receiving antenna.
- b) Increase the separation between the equipment and receiver.
- c) Connect the equipment to an outlet on a circuit different from that to which the receiver is connected.
- d) Consult the dealer or an experienced radio/TV technician or help.

FCC Warning

Modifications not expressly approved by the manufacturer could void the user authority to operate the equipment under FCC Rules.

Important

If you experience any difficulties with your computer speaker system please visit us at our website www.altecm.com Your difficulty may be a simple problem that we can help you solve from our website. If you do not find the answer to your question please send us an e-mail at csupport@altecm.com or call us at: 1-800-ALTEC-88 (1-717-296-4434 if outside the United States)

Introduction

Welcome to the extraordinary world of Altec Lansing high fidelity sound.

The patented Altec Lansing Multimedia Computer Speaker System provides the best computer digital audio possible. You can plug these computer speaker systems into a PC audio card and vastly enhance any business presentation, training, education or advertising, music or video production with the same level of audio quality you are used to hearing from a music CD. These speaker systems can also be used with any multimedia home computer, CD player or video interactive game to provide a total intelligent audio solution which is practical and affordable.

Description

The ADA305 is a Pro Logic powered surround sound speaker system composed of two satellite speakers and a subwoofer. The unique design of the speakers makes it possible to obtain SURROUND sound without having to mount speakers on side and rear walls.

The ADA305 can function with computers that have a sound card or a headphone output for a CD player. All basic amplifier functions can be controlled by manual controls located on the top panel of the right speaker satellite. You do not need a USB equipped PC to use the ADA305. If your computer IS NOT USB equipped refer to connection instructions on page 5 of this manual.

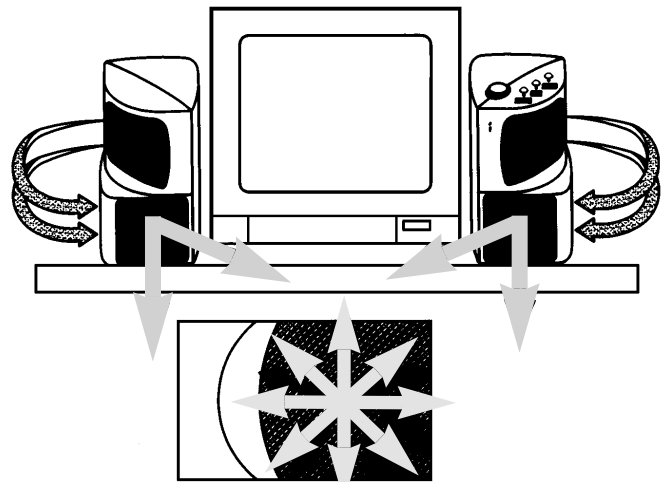
Computers that are USB (universal serial bus) equipped can control all speaker functions from the computer desktop. The USB output makes it possible to control all functions of the ADA305 with a GUI (graphic user interface) that shows a representation of the amplifier and speakers on the computer screen. Audio Management Software is provided to operate the GUI for computers that have a Windows 95 USB Supplement. If your computer IS USB equipped refer to connection instructions on page 4 of this manual.

An audio sensing circuit turns the unit on. If no audio signal is present at the input of the amplifier for a prolonged period, the unit turns off automatically.

Placement of Satellites and Subwoofer

The subwoofer contains no channel specific information and its sound is non-directional. As a result, the subwoofer does not necessarily have to be placed in any particular relationship to the satellites. Placing the subwoofer on the floor close to a wall or corner of a room provides maximum bass efficiency. The subwoofer is not magnetically shielded and should not be placed near video displays.

The satellite speakers are magnetically shielded and can be placed close to the computer monitor without distorting the video image.



THE DRAWING SHOWS A TYPICAL ARRANGEMENT OF THE SATELLITES AROUND A MONITOR AND HOW SOUND EMANATES FROM THE SPEAKERS.

IMPORTANT

Do not insert the AC power plug into the wall outlet until all connections are made as shown in figure 1.

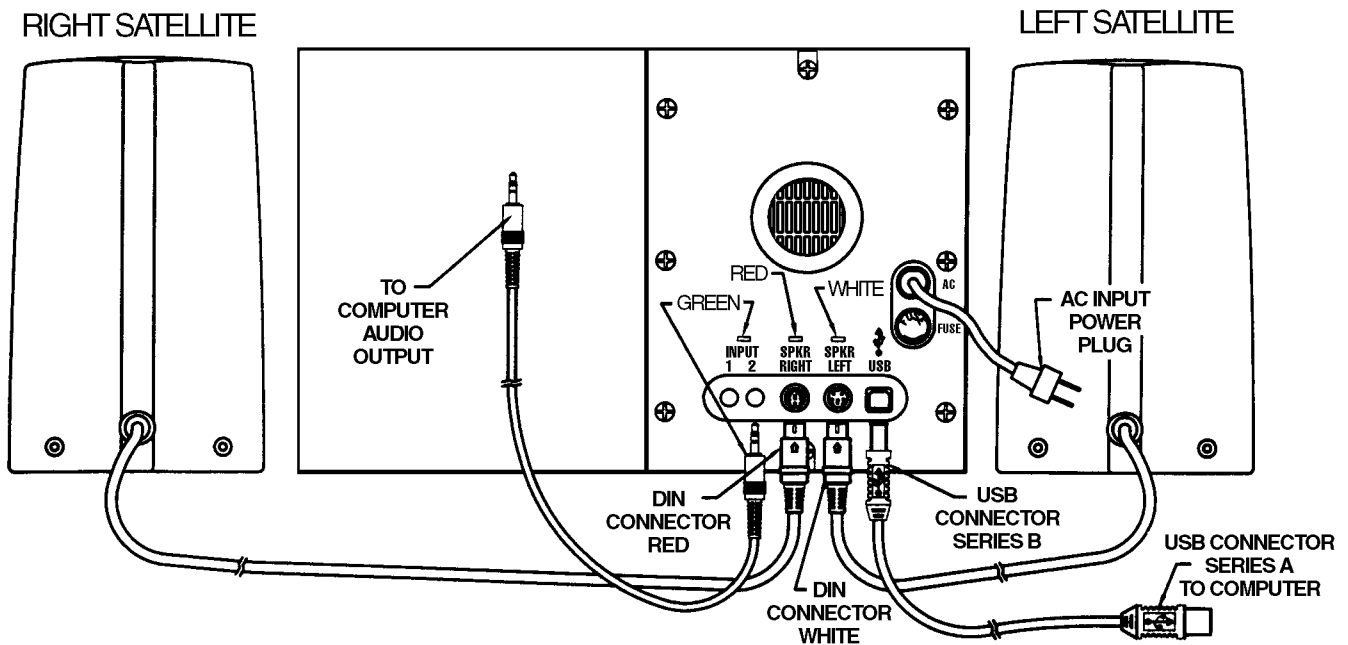
Connecting the ADA305 Speaker System to a Computer with USB

- Before inserting the DIN connectors into the receptacles located in the back of the subwoofer, notice that the plug connectors and receptacles are color coded to prevent errors. The right channel is marked in red and the left channel in white. Also notice that the plugs have arrows. The arrows should face up for proper insertion into the receptacles. Press the connectors firmly into the receptacles to make sure they are fully seated.
- Notice that the inputs are marked in green and the stereo audio plug is green colored. Plug the stereo audio cable into INPUT 1 or 2 of the subwoofer and to the computer audio line output. INPUTS 1 AND 2 have equal input characteristics, therefore, either input can be used for the computer audio output.

- Connect the USB cable as shown. The configuration of the plugs at each end are different. One end has a series "A" USB connector which is plugged into the USB output on the computer and the other end has a series "B" connector which is plugged into the USB input on the subwoofer. Make sure the plugs are fully seated.

The ADA305 does not have a power switch. Once the power plug is inserted into the wall outlet the unit turns on after a short delay. A green or amber/yellow LED will glow on the right satellite to indicate power is on. If there is no audio signal is sensed over a long period of time, the unit turns off. When audio is received or a control is operated, the speaker turns on automatically.

ADA305 Connection for a Computer With USB



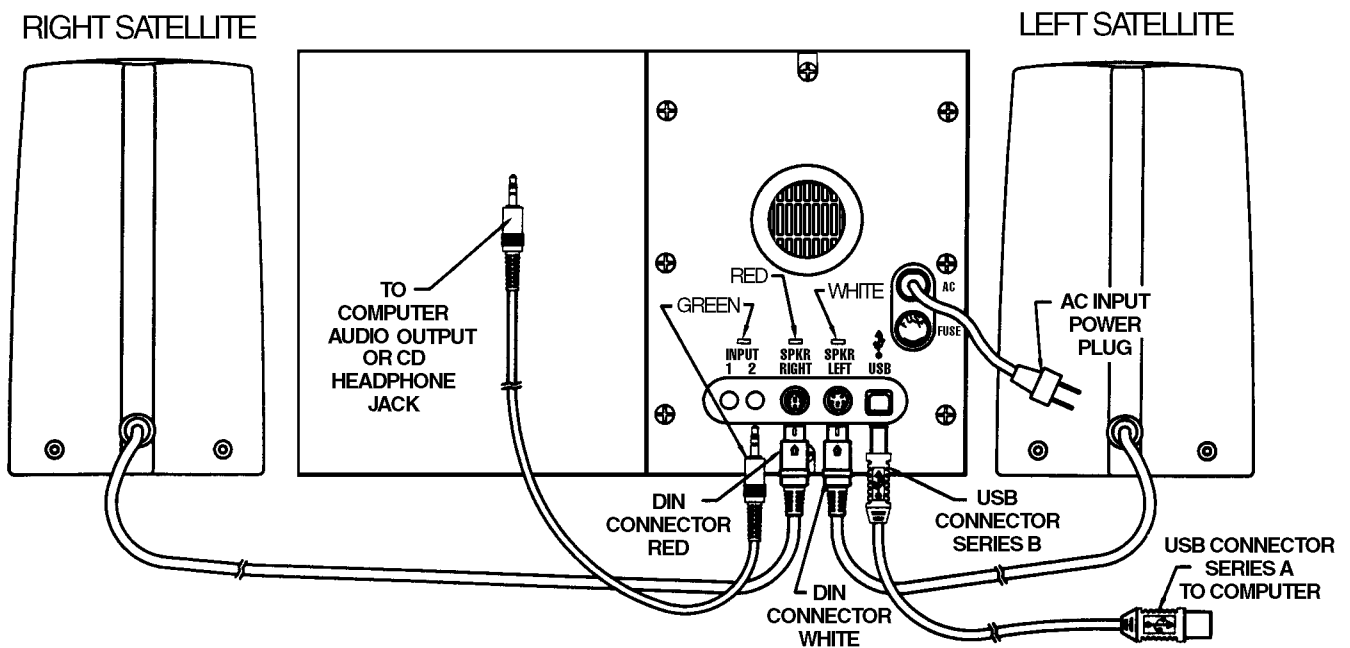
Connecting the ADA305 Speaker System to a Computer without USB

- Before inserting the DIN connectors into the receptacles located in the back of the subwoofer, notice that the plug connectors and receptacles are color coded to prevent errors. The right channel is marked in red and the left channel in white. Also notice that the plugs have arrows. The arrows should face up for proper insertion into the receptacles. Press the connectors firmly into the receptacles to make sure they are fully seated.
- Notice that the inputs are marked in green and the stereo audio plug is green colored. Plug the stereo audio cable into INPUT 1 or 2

of the subwoofer and to the computer audio line output. INPUTS 1 AND 2 have equal input characteristics, therefore, either input can be used for the computer audio output or a CD headphone jack.

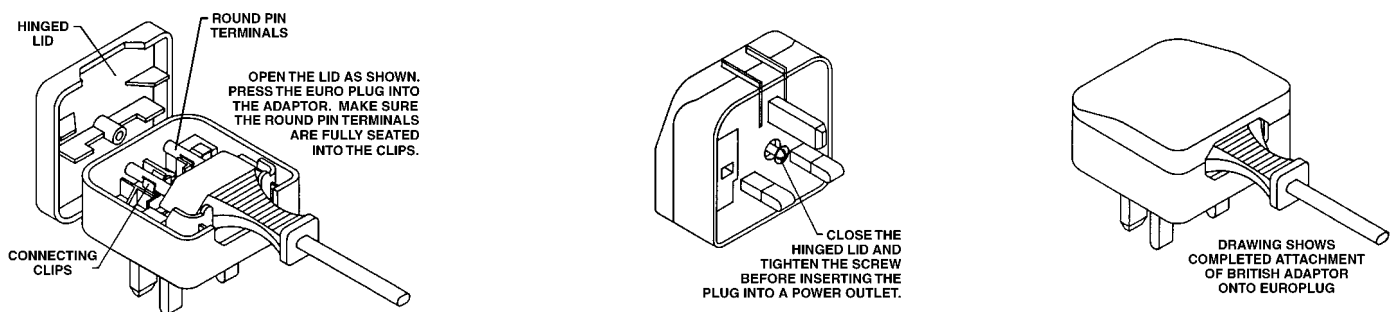
The ADA305 does not have a power switch. Once the power plug is inserted into the wall outlet the unit turns on after a short delay. A green or amber/yellow LED will glow on the right satellite to indicate power is on. If there is no audio signal is sensed over a long period of time, the unit turns off. When audio is received or a control is operated, the speaker turns on automatically.

ADA305 Connection for a Computer without USB



Euro Converter Plug

For use in the United Kingdom or country that has adopted the 3-pin 13 amp flat pin plug.



Use of Top Panel Controls on Right Satellite Speakers (See Figure 2)

MODES

The ADA305 is in stereo mode when the round LED light on the front of the right speaker glows amber. The ADA305 is in Pro-Logic mode when the round LED light on the front of the right speaker glows green. To change modes press and hold the center push button until the light changes color (about 3 seconds).

To mute the speakers press and hold the surround and subwoofer buttons simultaneously. The red LED indicator light will come on indicating the mute mode. To restore sound and exit the mute mode, push any button or turn the rotary volume control.

Operation of Channel Controls

In Pro-Logic mode

While listening to a recording, push the button corresponding to the channel you wish to adjust. The green indicator light will glow under the button selected. Turn the rotary control to set the desired volume level. Volume is increased by rotating the knob clockwise and is decreased by rotating the knob counterclockwise.

In the PRO-LOGIC mode the SUBWOOFER, CENTER and SURROUND controls can be operated separately to adjust the

sound levels in each channel. If no other channel is selected and no other changes have been made, the green indicator will turn off automatically after a short period of time. Repeat the operation for other channels. As each channel is selected, the indicator on the previous channel will turn off. Any channel selected can be turned off by depressing the button a second time. After a short time if none of the buttons are depressed, the rotary control will function as a master volume control.

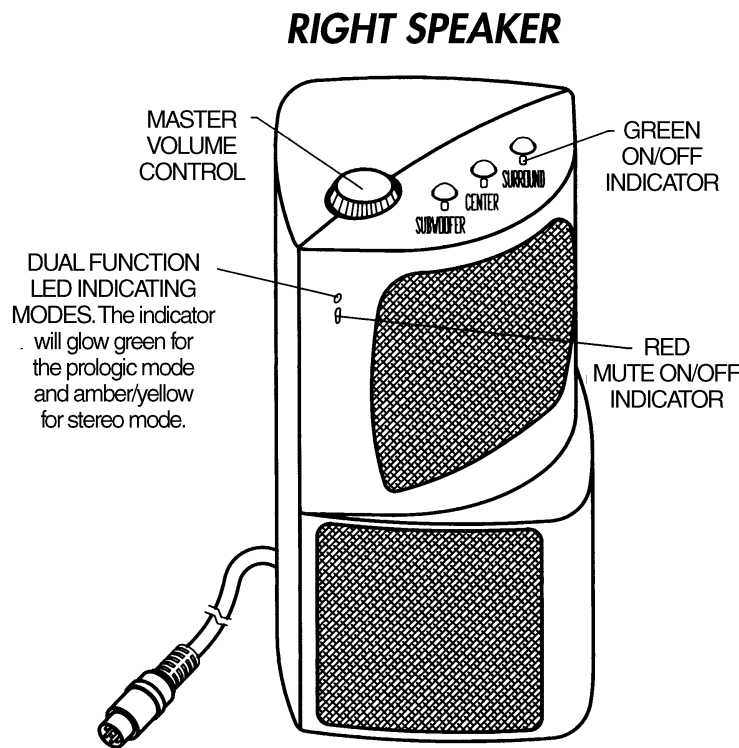
In stereo mode

In STEREO mode only the SUBWOOFER channel can be selected.

All volume levels are changed by rotating the MASTER ROTARY VOLUME CONTROL. To select the subwoofer press the corresponding push button on the top of the right speaker. Volume is increased by rotating the knob clockwise and is decreased by rotating the knob counterclockwise. A few seconds after you stop adjusting the subwoofer the rotary control returns to the MASTER ROTARY VOLUME CONTROL mode and the subwoofer LED light turns off.

Note: In the stereo mode only the MASTER ROTARY VOLUME and the SUBWOOFER controls are operable.

Figure 2



Specifications

	ADA305
Drivers (Satellites)	Two 3 inch drivers per satellite
Drivers (Subwoofer)	One 6 -1/2 inch dual voice coil woofer
Frequency Response	20Hz – 20kHz
Satellite Power	5 Watts RMS per driver 20 Watts total at <0.8% THD
Subwoofer Power	20 Watts at <0.8% THD
Input Impedance	>10k Ohms
Signal-to-Noise Ratio	70dB
Crossover Frequency (Subwoofer)	150Hz
Fuse Type*	1 AMP 250V "Slow Blow" (5x20mm size)

*Before replacing fuse remove AC power plug from the wall outlet. To replace fuse, twist fuse cap counterclockwise with a standard flat head screwdriver. The fuse cap is spring loaded and will "pop" out.

NOTE: IF THE FUSE NEEDS REPLACEMENT USE A 250 VOLT, 1 AMP "SLOW BLOW" 5 X 20MM UL/CSA APPROVED TYPE.

	Power Requirements
USA/CANADA Model	120 Volts 60Hz AC
MAX Power Consumption	100 Watts

UL/CUL/CE Approved

One Year Limited Warranty

Altec Lansing Technologies, Inc. warrants to the end user that all of its computer speaker systems are free from defects in material and workmanship in the course of normal and reasonable use for a term of one year from the date of purchase.

This warranty is the exclusive and only warranty in effect relative to Altec Lansing computer speaker systems and any other warranties, either expressed or implied, are invalid. Neither Altec Lansing Technologies, Inc. nor any authorized Altec Lansing Technologies, Inc. reseller is responsible for any incidental damages incurred in the use of the speakers. (This limitation of incidental or consequential damage is not applicable where prohibited.)

Altec Lansing Technologies, Inc. obligation under this warranty does not apply to any defect, malfunction or failure as a result of misuse, abuse, improper installation, use with faulty or improper equipment or the use of the computer speaker systems with any equipment for which they were not intended.

The terms of this warranty apply only to computer speaker systems when such speakers are returned to the respective authorized Altec Lansing Technologies, Inc. reseller where they were purchased.

Under the terms of this warranty the original consumer purchaser has certain legal rights and may have other rights which vary worldwide.

ADA305 Troubleshooting

SYMPTOMS	POSSIBLE PROBLEM	SOLUTION	NOTE
<i>Distortion (i.e. static, crackling, hissing)</i>	Speaker is being overdriven by an amplified audio source.	Make sure speaker is connected to line-out jack (unamplified) of sound card and not speaker-out jack (amplified); refer to color coding when making connections.	Depending on your sound card, you may also turn off amplifier on sound card (check your sound card manual).
	Noise may be caused by interference from the monitor.	Turn monitor off to see if noise is eliminated. Move cables away from monitor.	If this product is placed too close to a high level source of RF energy, RF breakthrough may be experienced which can cause some audio disturbance. If this happens, move the product as far away as possible from the source until the disturbance is eliminated. Using an audio input cable with a high percentage of shielding is also helpful in reducing or eliminating interference.
	Volume level on sound card or other audio source may be too high and causing speaker to be overdriven.	Check volume level of sound card or audio source and lower as necessary.	
	Sound card or specific sound file/track may be root of problem.	Check speakers with another audio source (CD-ROM player) to see if sound card or specific file/track may be problem.	For this check, disconnect speakers from sound card and plug into headphone jack on front of CD-ROM player or alternate line-level audio source.
<i>No Sound From Speakers</i>	No power to unit.	Make sure all connecting plugs between the satellite speakers, subwoofer and computer are fully seated. Make sure the wall power outlet or power strip has power. Make sure the power switches on the power strip, satellites and subwoofer are turned on.	Provided power has been verified, it is possible to test the unit by pulling out the audio cable that is connected to the computer and connecting it to an alternate audio source such as a portable CD player.
	Volume level on sound card or other audio source may be too low.	Check volume level of sound card or audio source and raise as necessary.	Check with an alternate audio source as mentioned above.
<i>Subwoofer Emits Very Loud Humming/ Buzzing Noise</i>	Signal cable is not completely inserted into signal jack on subwoofer or speaker.	Make sure signal cables are inserted snugly into signal jacks.	If need be, turn cable slightly when inserting to ensure complete contact.
USB	<i>No Icon in Tray</i>	USB Signal cable may not be installed or not fully inserted.	The USB interface does not require reset or power cycling for new devices to be recognized.
	<i>USB "No Device Connector" Window Pops Up</i>	USB Signal cable may not be installed or not fully inserted. Power has been interrupted to the speakers.	