

AlphaStation XP900

V1.3—3 September 1999

Systems and Options Catalog

Product Description



The AlphaStation XP900 is the first EV6 workstation product in a small desktop form factor. It is based on the Alpha 21264 microprocessor 466 MHz CPU with 2 MB ECC cache and is focused on providing a rackable, small-footprint, low-cost platform for software developers and application users. The AlphaStation XP900 is available in a Desktop configuration with either Compaq's Tru64 UNIX, OpenVMS, or LINUX-ready (operating-system less). Integrated on the system motherboard are Dual 10/100 BaseT ethernet ports, a floppy diskette controller, two serial ports, one parallel port, and keyboard and mouse interfaces. A PCI-based SCSI adapter and a SCSI cable kit are required to support internal and external SCSI disks and tape.

The AlphaStation XP900 supports five internal storage devices, including a floppy diskette, a CD-ROM, and three hard disk drive bays. Each system supports up to 1 GB of memory and 27 GB of internal storage when three 9 GB SCSI disks are installed.

The AlphaStation XP900 is the first high performance Alpha-powered EV6 workstation supporting Compaq's Universal Platform, with support for Tru64 UNIX, OpenVMS, or LINUX-ready (operating-system less).

Compaq's AlphaStation XP900 is available from workstation sales representatives and through qualified distribution partners. A list of eligible partners is available through local Compaq Sales Offices.

Compaq AlphaStation XP900 Workstations are available as:

- **Configure To Order (CTO) Models** are designed for "a la carte" order and factory integration. CTO models contain a system kernel, no memory, a SCSI cable, no hard disk drive, no graphics and no keyboard nor country kit included. Additional options are factory integrated and shipped as a complete system.
- **Packaged Systems/ Build To Order (BTO) Models** are designed for ease of ordering and stocking. Packaged Systems contain a system kernel, a minimum of 128 MB memory, Wide Ultra-2 SCSI disk adapter, a SCSI cable, 9.1 GB hard disk drive, ELSA Gloria graphics card, keyboard, country kit, and factory-installed operating systems including either Tru64 UNIX, OpenVMS, or LINUX-ready (operating-system less). Additional options will not be factory integrated into packaged systems.

Compaq AlphaStation XP900 Workstations come standard with a three-year limited warranty. Year one features on-site service; years two and three are return to Compaq service, parts only. This warranty represents one of the most comprehensive in the industry.

NOTE: AlphaStation XP900 Workstations are expected to commence shipping in August. This SOC represents the options which are expected to be available at that time.

NOTE: 6-3 part numbers are included and activated for European ordering only.

Compaq and the names of Compaq products referenced herein are either trademarks and/or service marks or registered trademarks and/or service marks of Compaq. DIGITAL is a Trademark of Compaq Computer Corporation.

Microsoft, Windows, Windows NT, SQL Server, Office and BackOffice are either trademarks or registered trademarks of Microsoft Corporation.

Intel and Pentium are registered trademarks of Intel Corporation.

Other product and company names mentioned herein may be trademarks and/or service marks of their respective owners.

Step 1—AlphaStation XP900 Desktop Systems

AlphaStation XP900 Desktop Systems include:

- Alpha 21264 466 MHz microprocessor with 2 MB L2 external cache
- Integrated dual 10/100 Base T Ethernet ports
- Four PCI expansion slots (three 64-bit/one 32-bit)
 - Mandatory Graphics (check table below) / 1 slot
 - Mandatory SCSI Controller / 1 slot (included in packaged systems)
 - Two available PCI slots
 - SCSI cable included
 - 4 DIMM memory slots (2 memory kits @ 2 DIMMs per kit) up to 1 GB maximum
- Five storage bays
 - One diskette drive bay with 1.44 MB floppy drive
 - One CD-ROM drive bay with 600 MB CD-ROM
 - One 5.25-inch x 1.6-inch removable media bay or 3.5-inch x 1-inch hard disk drive bay
- Two 3.5-inch x 1-inch internal hard disk drive bays
- Two serial ports
 - One serial port with full duplex asynchronous modem control
 - One Remote Management Console
- One bi-directional enhanced parallel port
- 300+ W (120/240V, 60/50 Hz) power supply
- LINUX-ready (No Operating System installed) or
- Factory Installed Software
 - Tru64™ UNIX® V4.0F (minimum) includes: Tru64™ UNIX ® base license, two-user UNIX license, and Compaq DIGITAL Open3D license
 - or
 - OpenVMS V7.1-2 includes OpenVMS System Value License Package with OpenVMS Alpha base license, OpenVMS 1-User license, NAS Client 150 Traditional License and Open3D for OpenVMS License

Step 1a—Configure To Order Models

Order Number	Memory	Hard Disk Drive	Ethernet	Audio Card	Graphics Card	Operating System
SN DB10W-A4 149819-B21	Mandatory	Mandatory	Onboard	Optional	Optional	OpenVMS
SN DB10W-A3 149820-B21	Mandatory	Mandatory	Onboard	Optional	Optional	TRU64 UNIX
SN DB10W-A1 149822-B21	Mandatory	Mandatory	Onboard	Optional	Optional	LINUX-ready/No OS

Step 1b—Mandatory Options

- Selection of a Memory option is mandatory
- Selection of a System Disk drive is mandatory. Systems support a total of three internal disk drives.
- Selection of a SCSI controller is mandatory.
- 9.1 GB disk drive is recommended as system disk. If more than one size of disk is ordered the operating system will be factory installed on the smallest disk.

Step 1c—Packaged Systems/Build to Order (BTO) Models

- All packaged systems contain a system kernel with, a minimum of 128MB memory, Wide Ultra-2 SCSI (LVD) adapter, SCSI cable, 9.1 GB 7200 RPM hard disk drive, ELSA GLoria Synergy graphics card and factory installed operating systems, including Tru64, OpenVMS version 7.1-2, or LINUX-ready (no operating system).
- Selection of country kit from step 6 is mandatory for European packages.
- Additional options will not be factory integrated into packaged systems and will ship separately (as spares).

Step 1—AlphaStation XP900 Desktop Systems (continued)**466 MHz Packaged Systems—Tru64 UNIX**

Order Number	Memory / Cache	Graphics	7.2K RPM Hard Disk	Country / Keyboard
SN-DB10Q-VC 149823-003	128 MB	ELSA GLoria Synergy	9.1 GB SCSI disk	US included (SN-LKQ47-AA)
SN-DB10Q-EC 149823-023	128 MB	ELSA GLoria Synergy	9.1 GB SCSI disk	EURO mandatory
SN-DB10Q-JC 149823-293	128 MB	ELSA GLoria Synergy	9.1 GB SCSI disk	JPN2 included (SN-LKQ97-AJ)
SN-DB10Q-HC 149823-393	128 MB	ELSA GLoria Synergy	9.1 GB SCSI disk	JPN/EN inc (SN-LKQ47-AA)
SN-DB10Q-CC 149823-373	128 MB	ELSA GLoria Synergy	9.1 GB SCSI disk	A/P included (SN-LKQ47-CV)

466 MHz Packaged Systems—Open VMS

Order Number	Memory / Cache	Graphics	7.2K RPM Hard Disk	Country / Keyboard
SN-DB10Q-VD 149823-004	128 MB	ELSA GLoria Synergy	9.1 GB SCSI disk	US included (LK461-A2)
SN-DB10Q-ED 149823-024	128 MB	ELSA GLoria Synergy	9.1 GB SCSI disk	EURO – mandatory
SN-DB10Q-JD 149823-294	128 MB	ELSA GLoria Synergy	9.1 GB SCSI disk	JPN2 included (SN-LKQ97-AJ)
SN-DB10Q-HD 149823-394	128 MB	ELSA GLoria Synergy	9.1 GB SCSI disk	JPN/EN inc (LK461-A2)
SN-DB10Q-CD 149823-374	128 MB	ELSA GLoria Synergy	9.1 GB SCSI disk	A/P included (SN-LKQ47-CV)

466 MHz Packaged Systems—LINUX-ready (No Operating System)

Order Number	Memory / Cache	Graphics	7.2K RPM Hard Disk	Country / Keyboard
SN-DB10Q-VA 149823-001	128 MB	Optional	9.1 GB SCSI disk	US included (SN-LKQ47-AA)
SN-DB10Q-EA 149823-021	128 MB	Optional	9.1 GB SCSI disk	EURO mandatory
SN-DB10Q-JA 149823-291	128 MB	Optional	9.1 GB SCSI disk	JPN2 included (SN-LKQ97-AJ)
SN-DB10Q-HA 149823-391	128 MB	Optional	9.1 GB SCSI disk	JPN/EN (SN-LKQ47-AA)
SN-DB10Q-CA 149823-371	128 MB	Optional	9.1 GB SCSI disk	A/P included (SN-LKQ47-CV)

Step 2—Country Kits

- CTO models do not include a country specific keyboard. Selection of a keyboard is not mandatory but is essential for full system operation.
- Packaged systems include keyboard and country kit except for European packages.
- Country kit is mandatory for system to be operational.
- Only one country kit is allowed per system.
- Bulk system orders must include country kits equal to the total number of systems ordered.
- LINUX-ready, OpenVMS or Tru64 UNIX universal country kits include two country-specific power cords, user documentation, and mouse. Tru64 UNIX or OpenVMS license is included with CTO models and packaged systems/BTO models.

Country Supported	LINUX-ready, OpenVMS or Tru64 UNIX 4.0F Country Kits	FIS and Documentation Language Supported
Americas		
United States, Canada, Taiwan, Philippines, Thailand, Japan	SN-PBB0U-AA 388176-001	English
Canada	SN-PBB0U-AC 388176-121	French
Europe		
Denmark	SN-PBB0U-AD 388176-081	English
Finland	SN-PBB0U-AF 388176-351	English
Norway	SN-PBB0U-AN 388176-091	English
Sweden	SN-PBB0U-AM 388176-101	English

Step 2—Country Kits (continued)

Country Supported	LINUX-ready, OpenVMS or Tru64 UNIX 4.0F Country Kits	FIS and Documentation Language Supported
Europe (continued)		
Germany	SN-PBB0U-AG 388176-041	German
Netherlands	SN-PBB0U-AH 388176-331	Dutch
Italy	SN-PBB0U-AI 388176-061	Italian
Switzerland/French	SN-PBB0U-AK 388176-301	French
Switzerland/Germany	SN-PBB0U-AL 388176-311	German
Switzerland/Italian	SN-PBB0U-AW 388176-321	Italian
Switzerland/English	SN-PBB0U-CH 388176-111	English
France, Belgium	SN-PBB0U-AP 388176-051	French
Spain	SN-PBB0U-AS 388176-071	Spanish
United Kingdom	SN-PBB0U-AE 388176-031	English
General European	SN-PBB0U-EC 388176-021	English
Asia Pacific		
Japan	SN-PBB0U-AJ 388176-291	Japanese
Japan	SN-PBB0U-CC 388176-391	English
Chinese/General Asia	SN-PBB0U-CA 388176-371	English
Chinese	SN-PBB0U-CV 388176-AA1	Simplified Chinese
Australia/New Zealand	SN-PBB0U-CN 388176-011	English

Step 3—Keyboards

- CTO models and European packaged systems do not include a country specific keyboard. Selection of a keyboard is not mandatory but is essential for full system operation.

LINUX-ready or Tru64 UNIX Keyboard	OpenVMS Keyboard	Country
Americas		
SN-LKQ47-AA 296435-006	LK461-A2 —	US/English
SN-LKQ47-AC 296435-126	LK461-AC —	Canada/French
SN-LKQ47-AR 296435-166	— —	Latin-American/Spanish
— —	— —	Brazil
LINUX-ready or Tru64 UNIX Keyboard		
Europe		
SN-LKQ47-AB 296435-186	LK461-AB —	Belgian
SN-LKQ47-AD 296435-086	LK461-AD —	Danish
SN-LKQ47-AE 296435-036	— —	UK
SN-LKQ47-AF 296435-356	LK461-AF —	Finland
SN-LKQ47-AG 296435-046	LK461-AG —	German
SN-LKQ47-AH 296435-336	LK461-AH —	Netherlands
SN-LKQ47-AI 296435-066	LK461-AI —	Italy
SN-LKQ47-AK 296435-116	LK461-AK —	Switzerland
SN-LKQ47-AM 296435-106	LK461-AM —	Sweden
SN-LKQ47-AN 296435-096	LK461-AN —	Norway
SN-LKQ47-AP 296435-056	LK461-AP —	France
SN-LKQ47-AS 296435-076	LK461-AS —	Spain
SN-LKQ47-AT —	— —	Hebrew

Step 3—Keyboards (continued)

LINUX-ready or Tru64 UNIX Keyboard		OpenVMS Keyboard		Country
Europe (continued)				
SN-LKQ47-AV	296435-136	LK461-AV	—	Portugal
SN-LKQ47-AX	296435-B46	—	—	Bosnia, Herzegovina, Croatia, Serbia, Yugoslavia
SN-LKQ47-BH	296435-156	LK461-BH	—	Greece
SN-LKQ47-BP	296435-246	LK461-BP	—	Poland
SN-LKQ47-BQ	296435-216	LK461-BQ	—	Hungary
SN-LKQ47-BR	296435-176	—	—	Arabic
SN-LKQ47-BT	296435-256	LK461-BT	—	Russia/Cyrillic
SN-LKQ47-BU	296435-146	LK461-BU	—	Turkey
SN-LKQ47-BV	296435-226	LK461-BV	—	Czech Republic
SN-LKQ47-CZ	296435-236	LK461-CZ	—	Slovak
Asia Pacific				
SN-LKQ47-BI	296435-AB6	—	—	Taiwan
SN-LKQ47-CV	—	—	—	China
SN-LKQ47-BK	296435-AD6	—	—	South Korean
SN-LKQ47-CB	296435-286	—	—	Thailand
SN-LKQ47-BA	296435-B36	—	—	International

Step 4—Memory Options

- CTO models require mandatory selection.
- Package systems include one memory kit.
- Systems support a maximum of two memory kits. Each kit includes two industry standard DIMMs with ECC support.
- Systems support maximum of 1 GB memory.

Order Number		
SN-MS310-BA	149835-B21	128 MB, Two 200 pin, 83 MHz, 64 MB DIMMs
SN-MS310-CA	149836-B21	256 MB, Two 200 pin, 83 MHz, 128 MB DIMMs
SN-MS310-DA	149837-B21	512 MB, Two 200 pin, 83 MHz, 256 MB DIMMs

Step 5—Storage

- CTO models require mandatory selection.
- Packaged systems/BTO models include one 600 MB 32X CD-ROM drive, one 1.44 MB floppy drive and one 9.1GB 7200 RPM SCSI disk drive in dedicated slots.
- Additional internal storage supported:
 - Two 1" hard disk drive bays or one 1" disk plus one 1.6-inch disk.

Step 5a—Internal Storage**SCSI Disk Drives**

SN-PBXRW-RB	388265-B21	4.3 GB Wide Ultra-2 LVD SCSI 10K RPM hard disk drive, 1.0-inch bay
SN-PBXRW-VA	388266-B21	9.1 GB Wide Ultra-2 LVD SCSI 10K RPM hard disk drive, 1.0-inch bay
SN-PBXRW-TB	146444-B21	18.2 GB Wide Ultra2 LVD SCSI 7200 RPM hard disk drive, 1.0-inch bay
SN-PBXRW-SC	146443-B21	9.1 GB Wide Ultra-2 LVD SCSI 7200 RPM hard disk drive, 1.0-inch bay

Step 5—Storage (continued)**Removable Media Devices**

TLZ10-LB	TLZ10 DAT 4 mm Internal Tape Drive (requires SN-PBXKP-BA adapter Wide to Narrow SCSI converter.)
----------	--

Step 5b—External Storage**Tabletop DAT Tape Drives**

TLZ9L-DB	32/64 GB Tabletop DAT Loader
TKZ9F-TA	5,7,10,14GB 8 mm Tabletop, SE SCSI
TLZ9L-VA	32/64 GB DAT loader in Carrier

Step 6—Additional SCSI Adapters

- CTO models require mandatory selection
- Packaged system/BTO models include one SN-KZPCA-AA / 136237-B21 Wide Ultra-2 LVD SCSI adapter

Order Number	SCSI Adapter	Maximum # Supported	
		Tru64UNIX V4.0F	OpenVMS V7.1.2
SN-KZPCA-AA 136237-B21	PCI-based one port Wide Ultra-2 LVD SCSI adapter	1	1
SN-KZPBA-CA 388272-B21	PCI-based one port Wide Ultra SCSI Single-ended adapter	1	1
SN-KZPBA-CB 388273-B21	PCI-based one port Wide Ultra SCSI Differential adapter	1	1

Step 7—Graphics Options

- CTO models require mandatory selection.
- Packaged systems, excluding LINUX ready, include ELSA Gloria adapter.
- System supports maximum of 2 graphics adapters
- ELSA Gloria Synergy card only supported in lower two PCI slots

SN-PBXGK-BB 400712-B21	ELSA Gloria Synergy PCI video adapter
------------------------	---------------------------------------

Step 8—Audio Options (Linux-ready only)

SN-AVH10-AB 155828-B21	Ensoniq audio card -PCI
------------------------	-------------------------

Step 9—Monitors

Graphics monitors other than those listed below can be used if compatible with SVGA graphics ordered with a system.

SN-VRQP7-24/23 307806-B23/B23	17" (16.0" viewable image size) professional series auto-scanning color monitor, Trinitron CRT, 0.25 mm aperture grill pitch, VGA to 1280 x 1024 at 85 Hz, TCO 95, MPR-II, Energy Star, attached 1.8 meter video cable. Requires mandatory selection of country specific power cord for all variants. -24 = Northern Hemisphere without power cord -23 = Southern Hemisphere without power cord
-------------------------------	---

Step 9—Monitors (continued)

SN-VRQP1-24/23	325600-B23/B23	21" (19.6" viewable image size) auto-scanning color monitor, Trinitron CRT, 0.25 mm aperture grill pitch, VGA to 1600 x 1200 at 75 Hz NI, TCO 95, Energy Star, includes a 1.8 meter video cable. Requires mandatory selection of country specific power cord for all variants. -24 = Northern Hemisphere without power cord -23 = Southern Hemisphere without power cord
----------------	----------------	--

SN-VRQF8-24	307906-001	TFT 8000 18" flat panel monitor . 18 inch viewable image size. TFT active matrix. In plane switching technology 160 degrees viewing angles. 1280x1024 resolution. Brightness 165 nits. Detachable base. Requires ELSA Gloria Synergy video adapter.
-------------	------------	---

Step 10—Network Options

Part number	Maximum supported per system	Tru64 Unix	OpenVMS
SN-DE500-FA 104877-B21	PCI-based 10/100 MB/s Fast Ethernet, supports fiber MMF (Multi-Mode Fiber)	2	2
SN-DE500-BA 104878-B21	PCI-based 10/100 MB/s Fast Ethernet, supports Twisted pair	2	2
SN-DGLPA-FA 104891-B21	PCI-based ATM 155mbps (fiber)- MMF (Multi-Mode Fiber)	2	2
SN-DGLPA-UA 104892-B21	PCI-based ATM 155mbps Cat5- UTP	2	2
SN-DEGPA-SA 104893-B21	Gigabit Ethernet Adapter	1	1

Step 11—Software and User Documentation**Tru64 UNIX User Documentation, Media and Optional Licenses**

For a complete list of available layered Tru64 UNIX software products see the *Software Price List for Digital Products and Services* document available from your local Compaq sales representative or call Compaq at 1-800-344-4825 in the US and Canada. For those outside North America, call +353 91 704105 for the number of your local Compaq Information Center.

QA-MT4AA-H8	Tru64 UNIX Media & Documentation kit
QA-MT4AA-GZ	Tru64 UNIX Full Documentation kit
QA-MT4AB-GZ	Tru64 UNIX End-User Documentation kit
QL-MT7AE-AA	Tru64 UNIX Unlimited User License

Software Processor Code = E

OpenVMS systems include an OpenVMS Alpha base license, OpenVMS 1 Concurrent Use license, NAS Client 150 Traditional License, MMS Runtime License and Open 3D for Open VMS License. NAS 150 enables the following OpenVMS Software Products: DECwindows Motif, DECnet End System, DECnet/OSI End Node, TCP/IP Client and OpenVMS Cluster Client software.

OpenVMS Media and Documentation—required for first system on site

QA-MT1AT-H8	OpenVMS V7.2-1 Media on CD-ROM
QA-MT1AR-H8	OpenVMS V7.2-1 Media on CD-ROM
QA-MT1AA-H8	OpenVMS V7.1-2 Media on CD-ROM
QA-MT1AA-H8	OpenVMS V7.1 media and on-line documentation on CD-ROM
QA-001AA-GZ	OpenVMS hardcopy documentation

OpenVMS Layered Products CD-ROM

QA-03XAA-H8	Layered products media and documentation for OpenVMS on CD-ROM
-------------	--

Step 11—Software and User Documentation (*continued*)
DIGITAL Open3D for OpenVMS CD-ROM

QA-0ADAA-H8 DIGITAL Open3D for OpenVMS on CD-ROM, includes graphics drivers

OpenVMS Concurrent Use Licenses

OpenVMS Concurrent Use Licenses are not specific to a single system and can be moved between systems at user discretion. OpenVMS Concurrent Use Licenses can also be shared in a mixed OpenVMS VAX and OpenVMS Alpha Cluster. The OpenVMS traditional unlimited use license is system specific and can only be used on one single system at a time. It can not be shared between systems or in an OpenVMS VAX or OpenVMS Alpha Cluster.

QL-MT3AA-3B	OpenVMS Concurrent Use 1-user license
QL-MT3AA-3C	OpenVMS Concurrent Use 2-user license
QL-MT3AA-3D	OpenVMS Concurrent Use 4-user license
QL-MT3AA-3E	OpenVMS Concurrent Use 8-user license
QL-MT3AA-3F	OpenVMS Concurrent Use 16-user license
QL-MT3AA-3G	OpenVMS Concurrent Use 32-user license
QL-MT3AA-3H	OpenVMS Concurrent Use 64-user license
QL-MT3AA-3J	OpenVMS Concurrent Use 128-user license
QL-MT3AA-3K	OpenVMS Concurrent Use 256-user license
QL-MT2AE-AA	OpenVMS traditional unlimited user license

XP900 User Documentation

EK-DS10V-CP	Compaq AlphaStation XP900 Quick Setup Guide - Multilingual
EK-DS10V-UR	Compaq AlphaStation XP900 User Reference Card-English
EK-DS1XP-UR	Compaq AlphaStation XP900 User Reference Card-French
EK-DS1XD-UR	Compaq AlphaStation XP900 User Reference Card-German
EK-DS1XJ-UR	Compaq AlphaStation XP900 User Reference Card-Japanese
EK-DS1XE-UR	Compaq AlphaStation XP900 User Reference Card-Spanish
EK-DS1XI-UR	Compaq AlphaStation XP900 User Reference Card-Italian
EK-DS1XN-UR	Compaq AlphaStation XP900 User Reference Card-Dutch
EK-DS10V-CR	Compaq AlphaStation XP900 Console Reference Guide - English only

Step 12—Hardware Supplemental Services

FM-AWXHW-36	3 Year 5x9 Next Business Day Onsite XP900 (must purchase within 90 days of system purchase).
FM-AW4HR-36	3 Year 5x9 Same Day - 4 Hour Response Onsite XP900 (must purchase within 90 days of system purchase).
FM-AW724-36	3 Year 7x24 Same Day - 4 Hour Response Onsite XP900 (must purchase within 90 days of system purchase).
FS-CPQ05-35	Post Warranty XP900 service – 5x9 Next Business Day
FM-AWINS-IN	XP900 Hardware Installation

Step 12a—Software Supplemental Services

For a complete list of available service offerings, please see your local Compaq sales representative or call Compaq directly at 1-800-344-4825 in the US and Canada. For those outside North America, call +353 91 704105 for the number of your local Compaq Information Center.

Tru64 UNIX

FM-3BUNS-12	12 Month 7 x 24 Bronze Software Supplemental Support Services
FM-3BUNS-36	36 Month 7 x 24 Bronze Software Supplemental Support Services
FM-3BUNS-60	60 Month 7 x 24 Bronze Software Supplemental Support Services
FM-3BUNS-12	12 Month 5 x 9 Bronze Software Supplemental Support Services
FM-3BUNS-36	36 Month 5 x 9 Bronze Software Supplemental Support Services
FM-3BUNS-60	60 Month 5 x 9 Bronze Software Supplemental Support Services

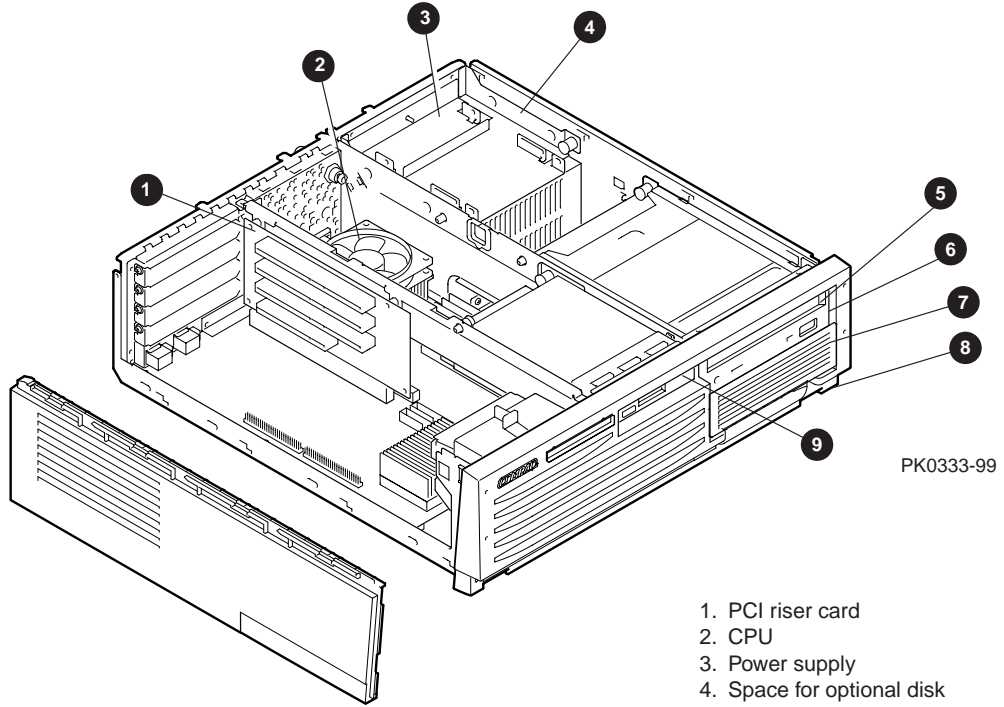
Specifications

Height	13 cm (5 inches)
Width	43 cm (17 inches)
Depth	46 cm (18 inches)
Weight	16.3 kg (36 lbs)

AlphaStation XP900

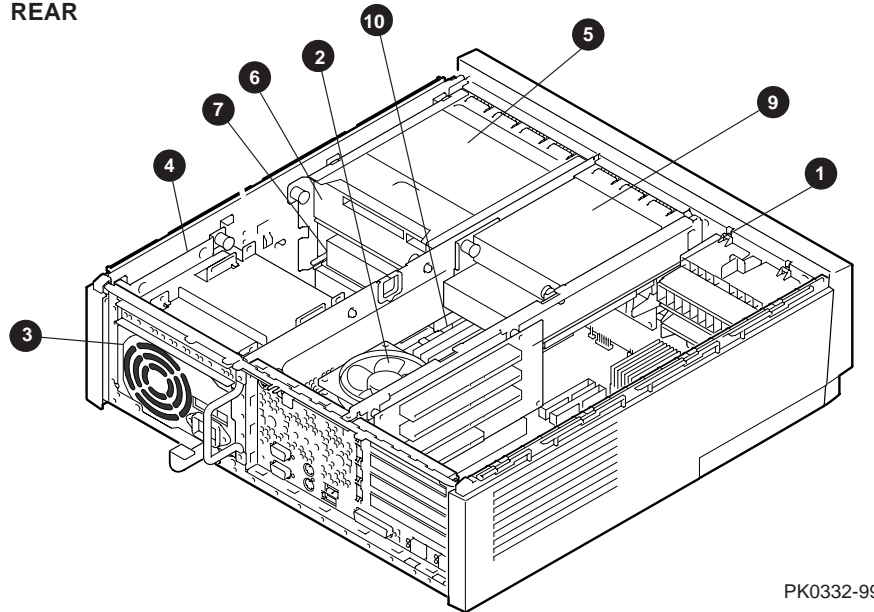
Compaq AlphaStation XP900 System Diagrams

FRONT



1. PCI riser card
2. CPU
3. Power supply
4. Space for optional disk
5. CD-ROM
6. System disk
7. Optional bays (2)
8. Control panel
9. Floppy diskette drive
10. Memory

REAR



PK0332-99